

# SPARE PARTS LIST

**Hisense** EUROPE

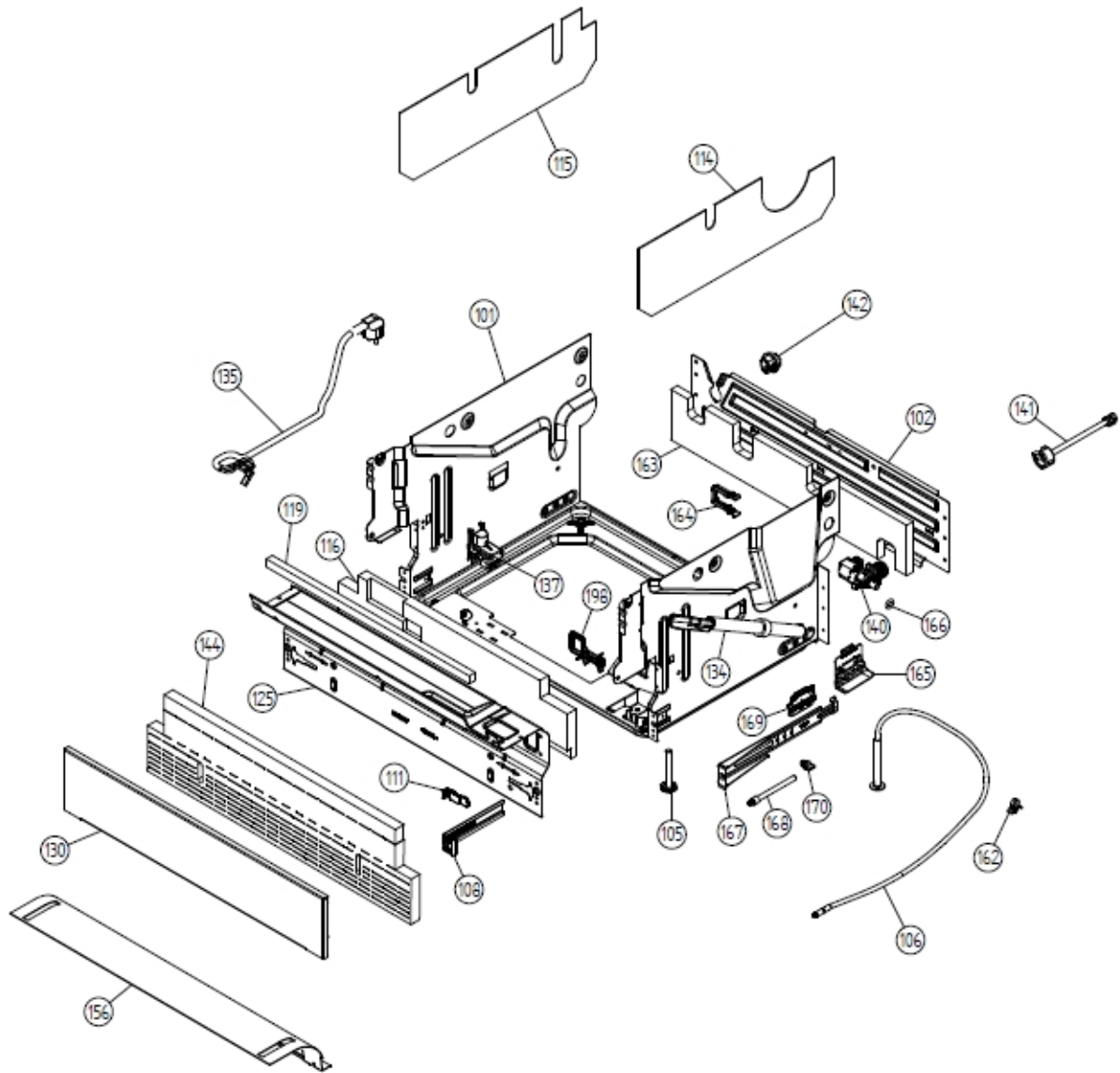
Date 13.09.2022

Time 18:12:07

---

<b>Type</b>	DW16.2	<b>Brand name</b>	ASKO
<b>Model</b>	D5536XXLFISOF	<b>Version</b>	20.09.2017
<b>Art. No.</b>	492567	<b>Service index</b>	05

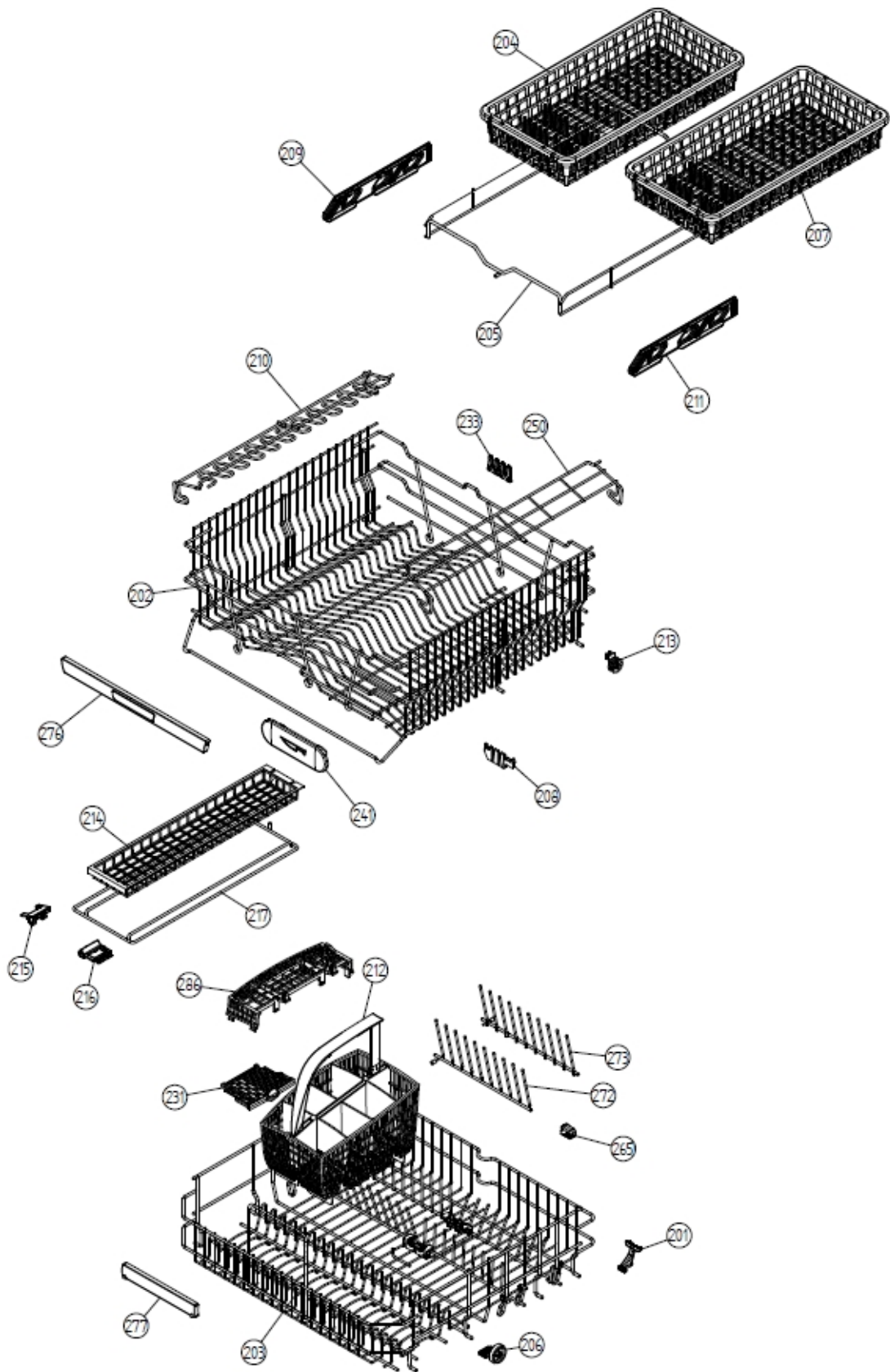
**160614**



Position	Ident	Spare part description	Quantity	Validity	Extra ID
0101	594004	BASE EXT W.OUT WELD.STUDS DW40 ASSY	1		
0101A	700436	SCREW A4 MRT M4X8 VAXED TORX20 BUFAB	2		

Position	Ident	Spare part description	Quantity	Validity	Extra ID
0101B	700474	SCREW	4		
0102	513721	BASE COVER BACK	1		
0105	700290	FOOT	3		
0108	700331	SUPPORT	2		
0111	700332	SPRING	2		
0116	700374	ISOLATION	1		
0119	700377	ISOLATION	1		
0125	700350	COVER	1		
0130	700457	BASEBOARD	1		
0134	700403	SPRING	2		
0135	700557	CABLE SUPPLY	1		
0137	700514	FILTER NOISE	1		
0140	434374	ELECTRIC VALVE	1		
0141	700266	INLET HOSE	1		
0141A	700483	GASKET	1		
0142	413719	CABLE GROMMET Z13	1		
0144	700292	ISOLATION	1		
0163	592882	SOUND INSULATION REAR PANEL DW	1		
0164	700439	CLAMP	1		
0165	700351	SPRING SUPPORT LEFT	2		
0166	700438	GASKET	1		
0167	700345	ADJUST NUT	2		
0168	700346	SCREW	2		
0169	700400	SPRING HOLDER INTERMEDIATE	2		
0170	700401	GUIDE	2		
0198	700270	WIRING HARNESS HOLDER DW70 000	1		

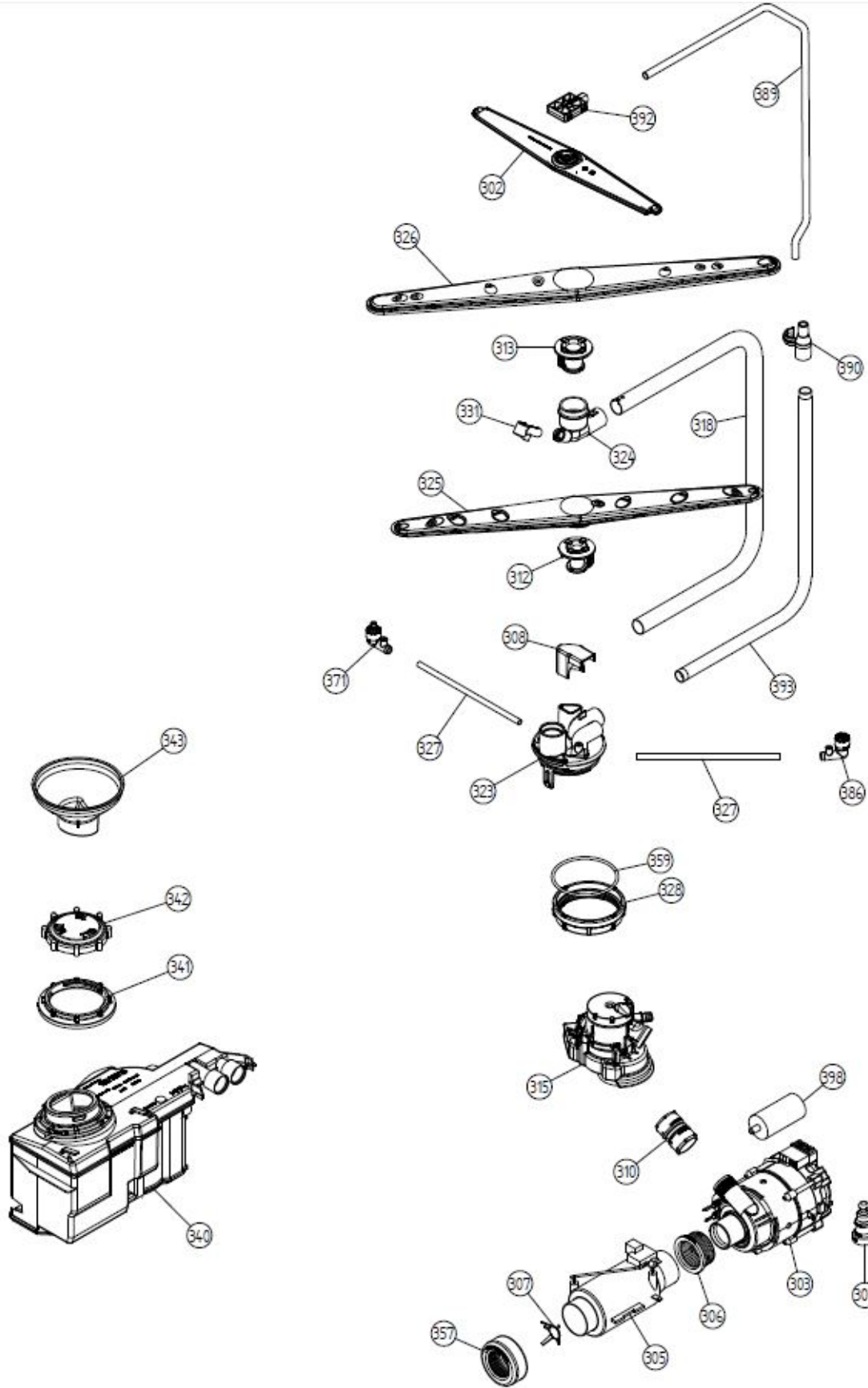
**161619**



Position	Ident	Spare part description	Quantity	Validity	Extra ID
0201	555551	PLATE-RACK HOLDER ADJUSTMENT 5502-B	4		
0202	490026	UPP.BASKET PREMIUM 7502-B ASSY	1		
0203	489454	LOWER BASKET EXCLUSIVE 7502-B ASSY	1		

Position	Ident	Spare part description	Quantity	Validity	Extra ID
0204	488568	CUTLERY BASKET INSERT L ASSY	1		
0205	476786	KNIVES BASKET FRAME 7502-B	1		
0206	700391	LOWER BASKET WHEEL	8		
0207	488569	CUTLERY BASKET INSERT R ASSY	1		
0208	700321	KNIFE RACK	2		
0209	488392	UPPER BASKET ADJUSTMENT UNIT L ASSY	1		
0210	476840	WINE GLASSES SHELF ADJUSTABLE NCS 7502-B	2		
0211	488393	UPPER BASKET ADJUSTMENT UNIT R ASSY	1		
0212	435210	CUTLERY BASKET HIGH HANDL	1		
0213	655318	BASKET WHEEL TEFLON 5502-B	4		
0231	700390	CUTLERY BASKET COVER	1		
0241	476838	KNIVES GUARD 5502-B	1		
0265	484431	PLATE-RACK HOLDER SHORT 5502-B	2		
0272	489477	PLATE-RACK SHORT R 7502-B	2		
0273	489476	PLATE-RACK SHORT L 7502-B	2		
0276	435209	HANDLE U-BASKET ASSY ASKO	1		
0277	427447	HANDLE	1		

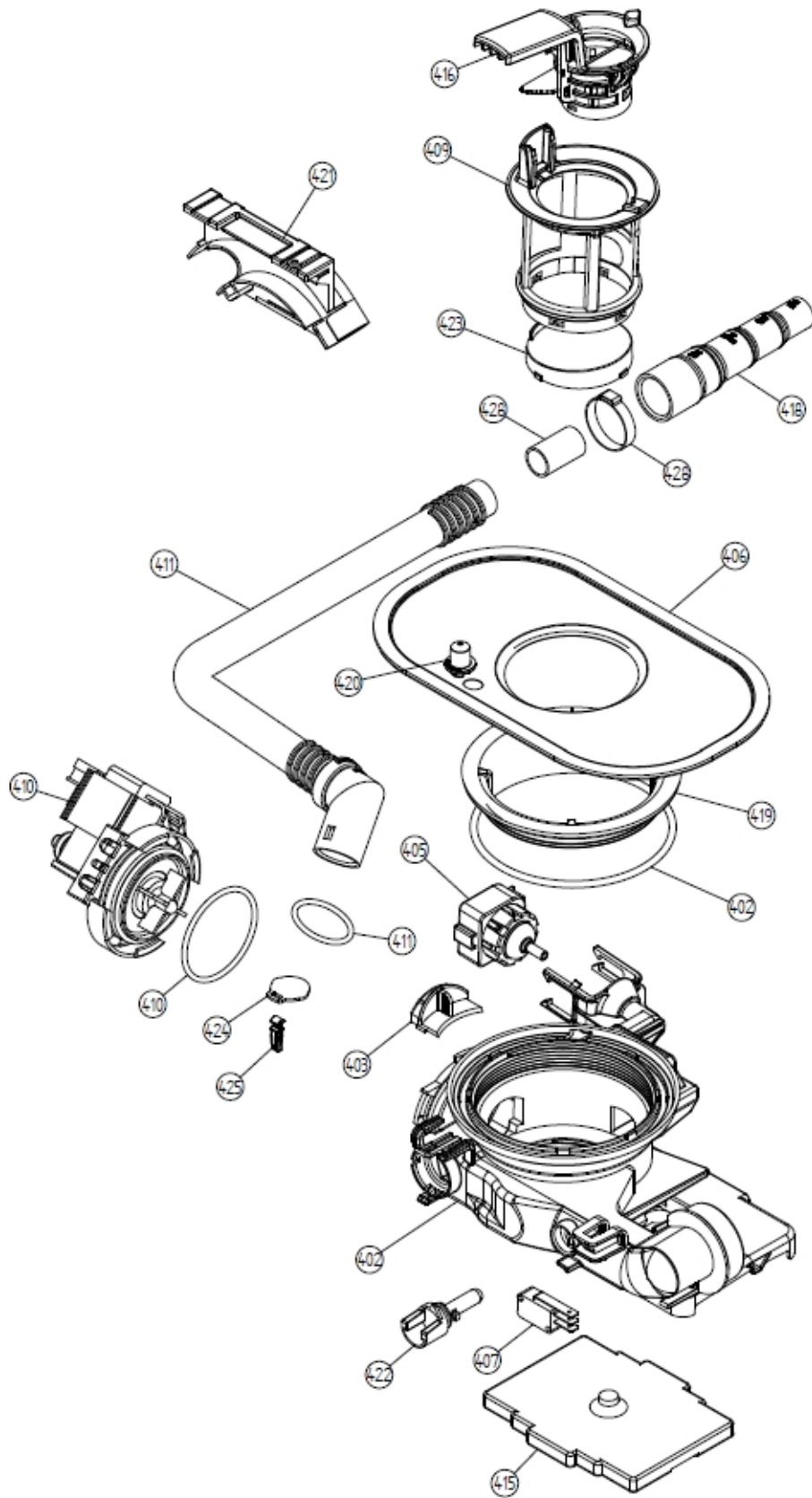
162617



Position	Ident	Spare part description	Quantity	Validity	Extra ID
0302	476717	SPRAY ARM UPPER ASSY	1		
0303	700244	WASHING PUMP	1		

Position	Ident	Spare part description	Quantity	Validity	Extra ID
0304	700408	WASHING MOTOR CUSHION	1		
0305	429634	HEATER	1		
0306	700399	GASKET	1		
0307	700405	HEATER INSERTION	1		
0308	520549	DISCHARGE COVER DW16	1		
0310	484503	PUMP'S HOSE W.CLAMP ASSY	1		
0312	474365	SPRAY ARM HOLDER LOW.5502-B	1		
0313	700348	SUPPORT	1		
0315	813321	DIVERTER VALVE SET 120V	1		
0318	493521	SPRAYER TUBE D18 XXL	1		
0323	794788	SPRAY TOWER	1		
0324	700487	SUPPORT	1		
0325	474374	SPRAY ARM LOW ASSY DW16	1		
0326	426740	SPRAYARM UPPER ASSY	1		
0327	700329	HOSE	2		
0327A	200617	SCREW PT KB40X10 WN1442 RFS	10		
0328	700323	RING	1		
0331	700324	SPRAYING POUT	1		
0340	704477	WATER SOFTENER	1		
0341	700380	RING	1		
0342	700381	SALT PLUG	1		
0343	492525	SALT FUNNEL DW 5502-B	1		
0357	700423	GASKET	1		
0359	700437	GASKET	1		
0371	484953	SPRAYER NOZZLE L ASSY	1		
0386	484955	SPRAYER NOZZLE R ASSY	1		
0389	481405	SPRAYER TUBE D8 XXL	1		
0390	476714	TUBE CONNECTING PART D14-D8 5502-B	1		
0392	476715	SPRAY ARM ATTACHMENT MINI 5502-B	1		
0393	493469	SPRAYER TUBE D14 XXL	1		
0398	441459	CONDENSER 7UF EM 60HZ	1		

163620

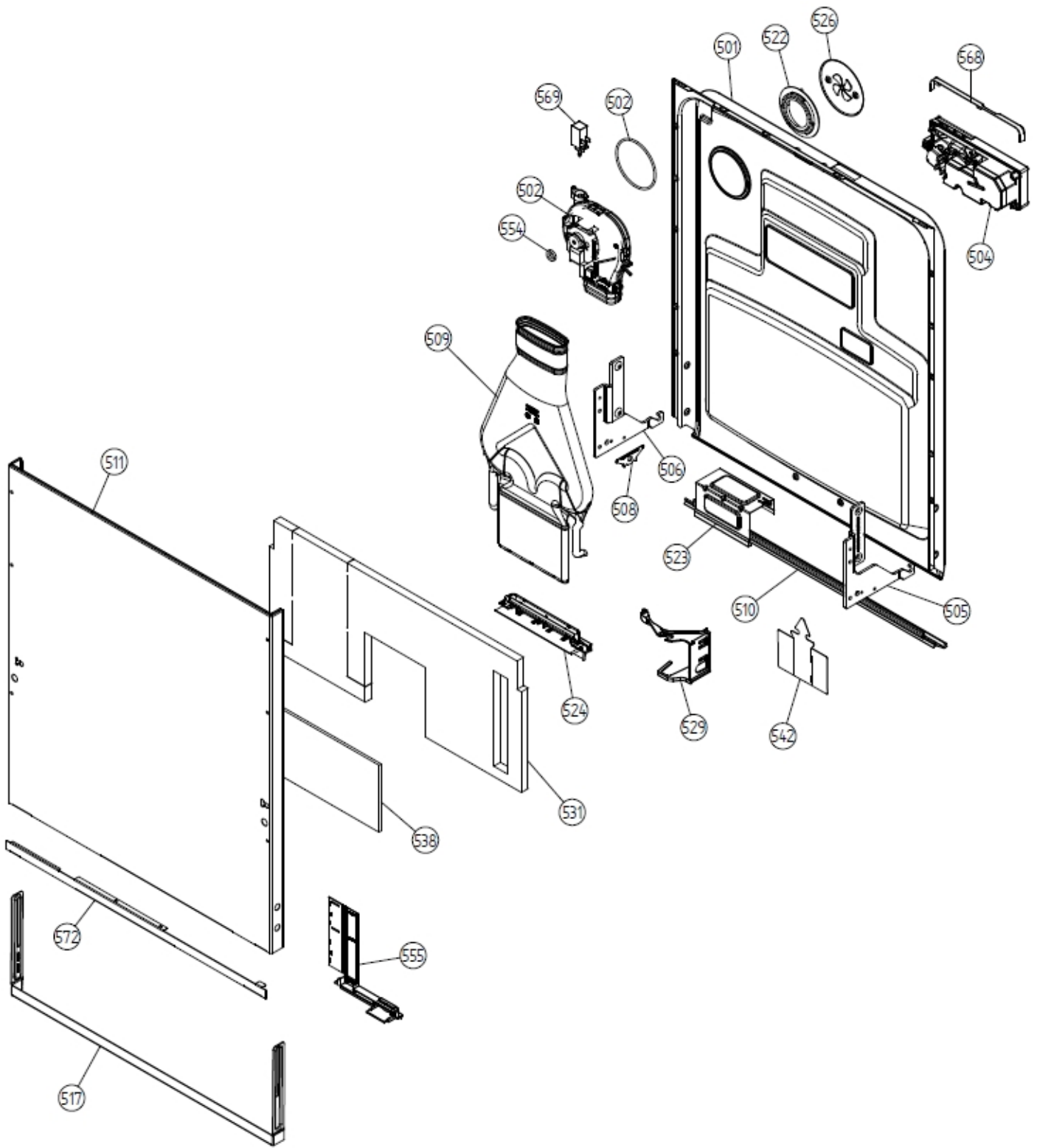


Position	Ident	Spare part description	Quantity	Validity	Extra ID
0402	474289	SINK CONTAINER UL4 ASSY	1		
0402A	700415	GASKET	1		



Position	Ident	Spare part description	Quantity	Validity	Extra ID
0403	700355	PLUG	1		
0405	474327	PRESSURE SENSOR UL4	1		
0406	700341	PLANE FILTER	1		
0407	700335	MICROSWITCH	1		
0409	465484	FILTER PIECE ASSY DW70 5502-B	1		
0410	700245	DRAIN PUMP	1		
0411	640393	SET DISCHARGE HOSE US UL4 O-RING	1		
0411A	700462	GASKET	1		
0415	700354	FLOAT	1		
0416	700357	BASKET	1		
0418	700484	END CUFF	1		
0419	700325	RING	1		
0420	700342	VENTILATING FAN	1		
0421	700304	HOSE BEND	1		
0422	700369	SENSING DEVICE	1		
0423	465484	FILTER PIECE ASSY DW70 5502-B	1		
0424	700410	GASKET	1		
0425	700419	NON RETURN VALVE HOOK DW70 NCS 5502-B	1		
0428	700476	CLAMP	1		

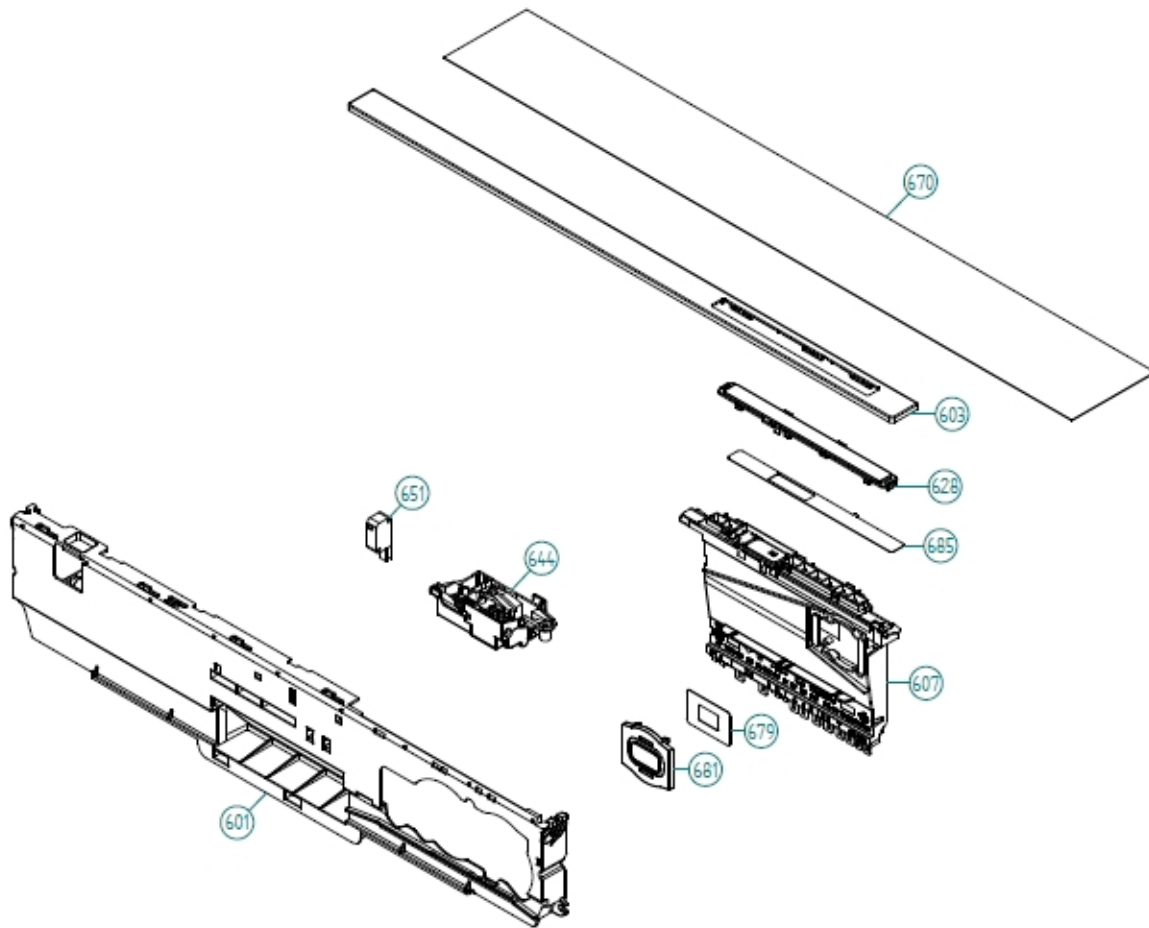
164632



Position	Ident	Spare part description	Quantity	Validity	Extra ID
0501	450974	INNER DOOR F/INT. XXL DW16 ASSY	1		
0502	450975	DOOR FAN UL4 120V ASSY	1		
0502A	700318	GASKET	2		
0504	700275	SOAP DISPENSER	1		

Position	Ident	Spare part description	Quantity	Validity	Extra ID
0505	727771	HINGE RIGHT ASSY	1		
0506	727779	HINGE LEFT ASSY	1		
0507	700312	HINGE SCREW	2		
0508	700429	WASHER	2		
0509	445331	AIR DUCT UL4	1		
0510	426743	DOOR GASKET	1		
0511	700352	OUTER DOOR	1		
0511A	700470	SCREW ST4,2X13-A4 TORX20 RTS BUFAB	8		
0517	705686	AIR CHANNEL ADJUSTABLE FRAM	1		
0517A	572804	SCREW MRT-GF M5X8 COMB T20 FZB	2		
0522	445248	FAN LOCKING RING DW16 9500	1		
0522A	453404	GASKET FAN DW DW	1		
0523	700402	HOLDER	1		
0523A	700451	SCREW RTS ST4,2X13 FZB TORX20	17		
0524	457591	ADJUSTABLE PART-NOZZLE 5MM GAP	1		
0526	700315	COVER	1		
0529	449948	INTERIOR DOOR HARNESS HOLDER DW UL4 9005	1		
0538	700427	ISOLATION	1		
0542	700409	COVER	1		
0554	700425	SPACER	1		
0568	700559	SOAP DISPENSER HOLDER DW COMBI AWECO	2		
0569	445250	THERMOACTUATOR 8MM STROKE 110-240V UL4	1		
0572	700268	DOOR EXT. EXTENSION DW70	1		
9998	494276	PROGRAM LABEL ASKO D5536,5636 FR	1		
9999	700717	ATTACHMENT BAG 6 DISHWASHER	1		

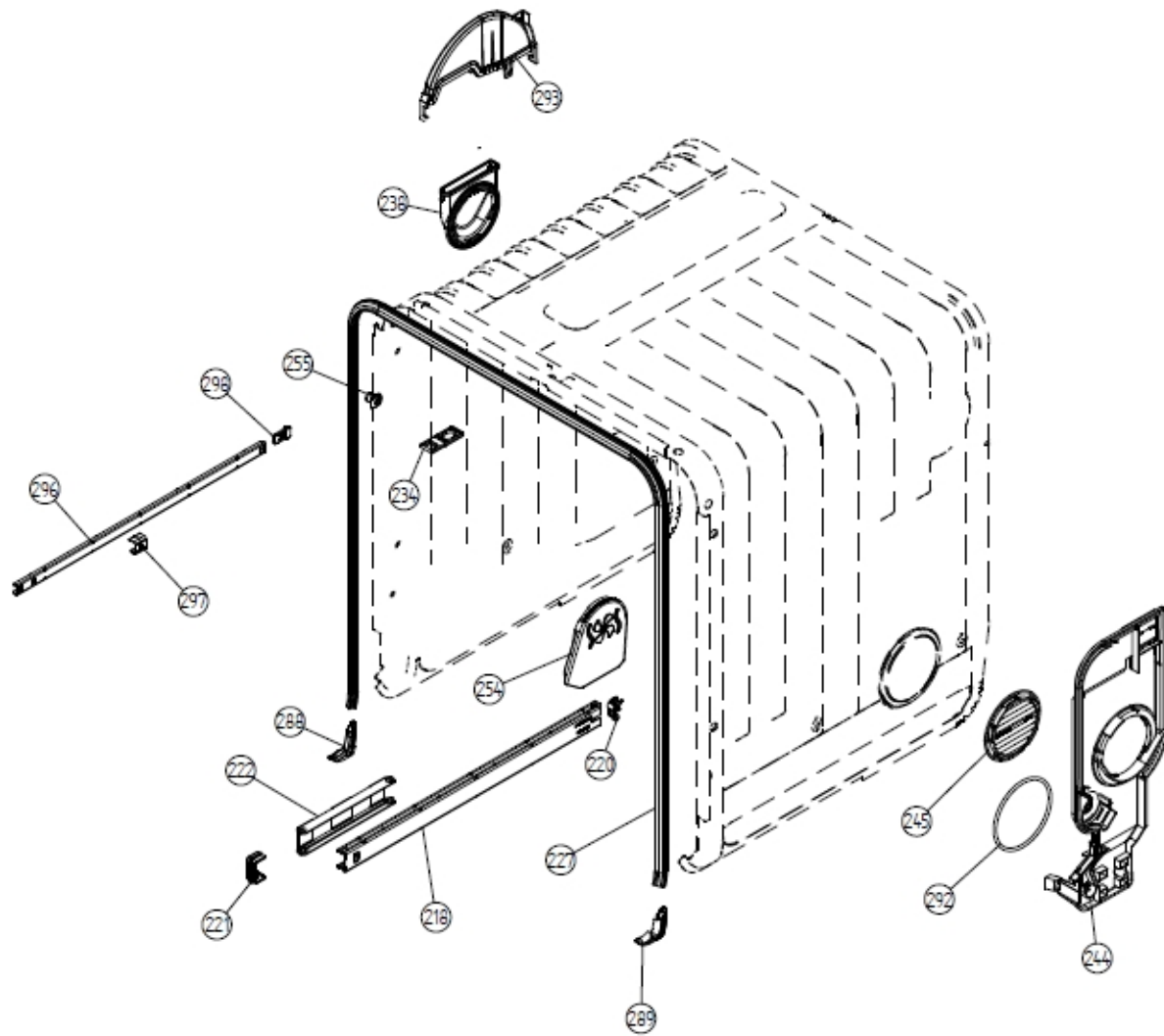
165311



Position	Ident	Spare part description	Quantity	Validity	Extra ID
0601	700546	SWITCH PANEL	1		
0603	537079	COVER ASK DW90.2 LA022S5 SIGN	1		

Position	Ident	Spare part description	Quantity	Validity	Extra ID
0607	489050	CONTROL UNIT ASSY DW16.2 1-LCD W/B	1		
0610	700397	WIRING HARNESS NTC	1		
0611	474504	WIRING HARNESS DIVERTER VALVE DW UL4	1		
0612	700358	WIRING HARNESS REED SWITCH	1		
0613	700360	WIRING HARNESS REGENERATION VALVE	1		
0614	700361	WIRING HARNESS CIRC. PUMP	1		
0616	474503	WIRING HARNESS FLOW AND PRESSURE DW UL4	1		
0618	700506	WIRING HARNESS POWER SUPPLY	1		
0620	448913	WIRING HARNESS DOOR FAN-REED UL4	1		
0622	704556	WIRING HARNESS PUMP OUTLET	1		
0628	537077	LENS DW90.2 1,75 UL4 000	1		
0644	700333	DOORLOCK	1		
0651	200358	DOOR SWITCH	1		
0685	700241	CONTROL PANEL FILM	1		
9998	494276	PROGRAM LABEL ASKO D5536,5636 FR	1		
9998	494277	PROGRAM LABEL ASKO D5536,5636 EN	1		

**166078**



Position	Ident	Spare part description	Quantity	Validity	Extra ID
0218	797102	GUIDE	2		
0220	700313	GUIDE SHOCK ABSORBER	2		
0221	700430	RAIL BLOCK	2		

Position	Ident	Spare part description	Quantity	Validity	Extra ID
0222	428814	SPACER	1		
0227	700309	GASKET	1		
0234	700320	DOOR HOOK	1		
0234A	700319	LATCH	1		
0238	445548	VENTILATION LOWER DW SPD 000	1		
0244	700378	DIVIDER	1		
0245	700379	AIR BREAK COVER	1		
0254	445547	EXPRES AIR VENT.COVER DW 5502-B	1		
0255	440647	GUIDE PLUG DW 9500	2		
0288	700518	GASKET	1		
0289	700519	GASKET	1		
0292	704557	GASKET	1		
0293	445549	VENTILATION UPPER DW 000	1		
0296	476781	UPPER BASKET GUIDE	2		
0297	476782	SLIDE GUIDE TOP BASKET 5502-B	4		
0298	476783	BASKET GUIDES STOPPER 5502-B	4		