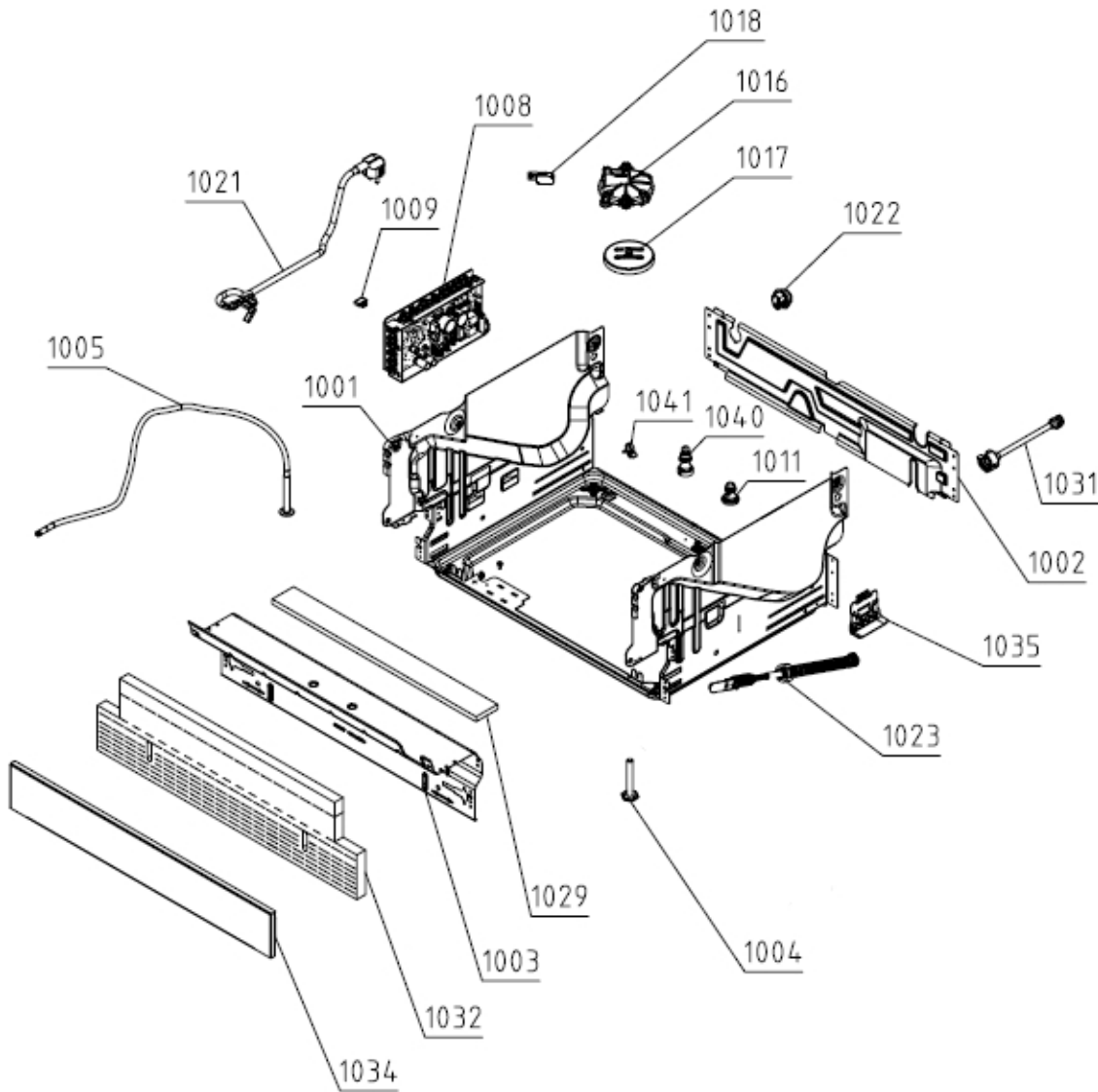


# SPARE PARTS LIST

|          |             |               |            |
|----------|-------------|---------------|------------|
| Type     | DW40.2      | Brand name    | ASKO       |
| Model    | DBI663PHS.U | Version       | 27.06.2019 |
| Art. No. | 728604      | Service index | 05         |

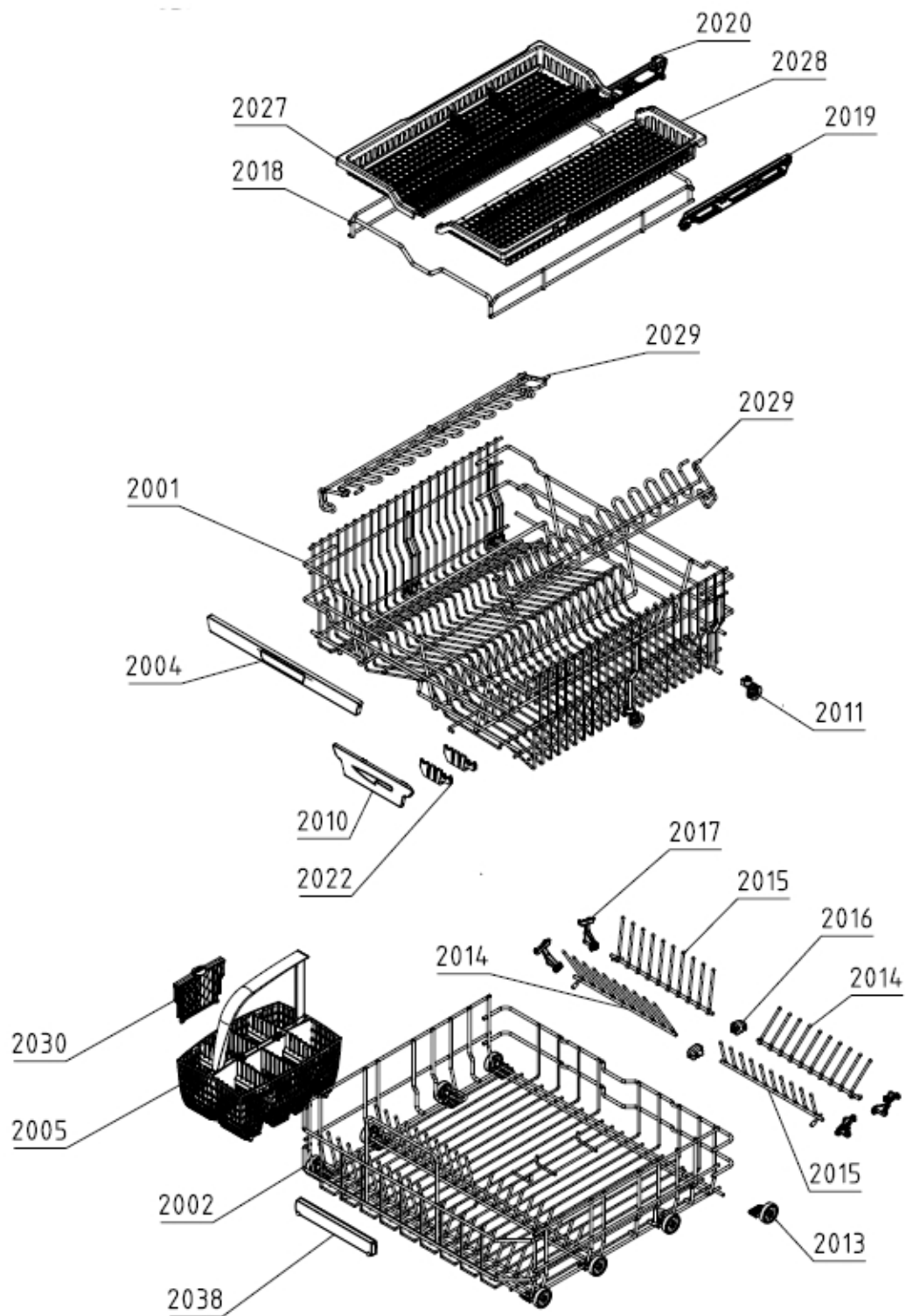
**160656**



| Position | Ident  | Spare part description               | Quantity | Validity | Extra ID |
|----------|--------|--------------------------------------|----------|----------|----------|
| 1001     | 813325 | BASE WITH FEET                       | 1        |          |          |
| 1001A    | 700436 | SCREW A4 MRT M4X8 VAXED TORX20 BUFAB | 2        |          |          |
| 1001B    | 700474 | SCREW                                | 4        |          |          |
| 1002     | 587257 | BACK PANEL                           | 1        |          |          |

| Position | Ident  | Spare part description        | Quantity | Validity | Extra ID |
|----------|--------|-------------------------------|----------|----------|----------|
| 1003     | 700350 | COVER                         | 1        |          |          |
| 1003A    | 700451 | SCREW RTS ST4,2X13 FZB TORX20 | 17       |          |          |
| 1004     | 700290 | FOOT                          | 2        |          |          |
| 1005     | 700289 | ADJUSTABLE FOOT DW ASSY       | 1        |          |          |
| 1008     | 692013 | CONTROL UNIT C                | 1        |          |          |
| 1011     | 576727 | CIRCULATION PUMP DAMPER       | 2        |          |          |
| 1016     | 512052 | FLOAT BRACKET                 | 1        |          |          |
| 1017     | 655019 | FLOAT                         | 1        |          |          |
| 1018     | 700335 | MICROSWITCH                   | 1        |          |          |
| 1021     | 664836 | SUPPLY CORD SJT 3X14AWG 1550  | 1        |          |          |
| 1022     | 413719 | CABLE GROMMET Z13             | 1        |          |          |
| 1023     | 704611 | SPRING                        | 2        |          |          |
| 1029     | 700377 | ISOLATION                     | 1        |          |          |
| 1031     | 700266 | INLET HOSE                    | 1        |          |          |
| 1031B    | 700483 | GASKET                        | 1        |          |          |
| 1032     | 700292 | ISOLATION                     | 1        |          |          |
| 1034     | 700541 | BASEBOARD                     | 1        |          |          |
| 1034A    | 176604 | SCREW RXS 4,2X9,5 FZB         | 2        |          |          |
| 1035     | 700351 | SPRING SUPPORT LEFT           | 2        |          |          |
| 1035A    | 274037 | SCREW RTK ST4,2X9,5 FZB WAX   | 2        |          |          |
| 1040     | 700408 | WASHING MOTOR CUSHION         | 1        |          |          |
| 1041     | 700411 | SUPPORT                       | 1        |          |          |

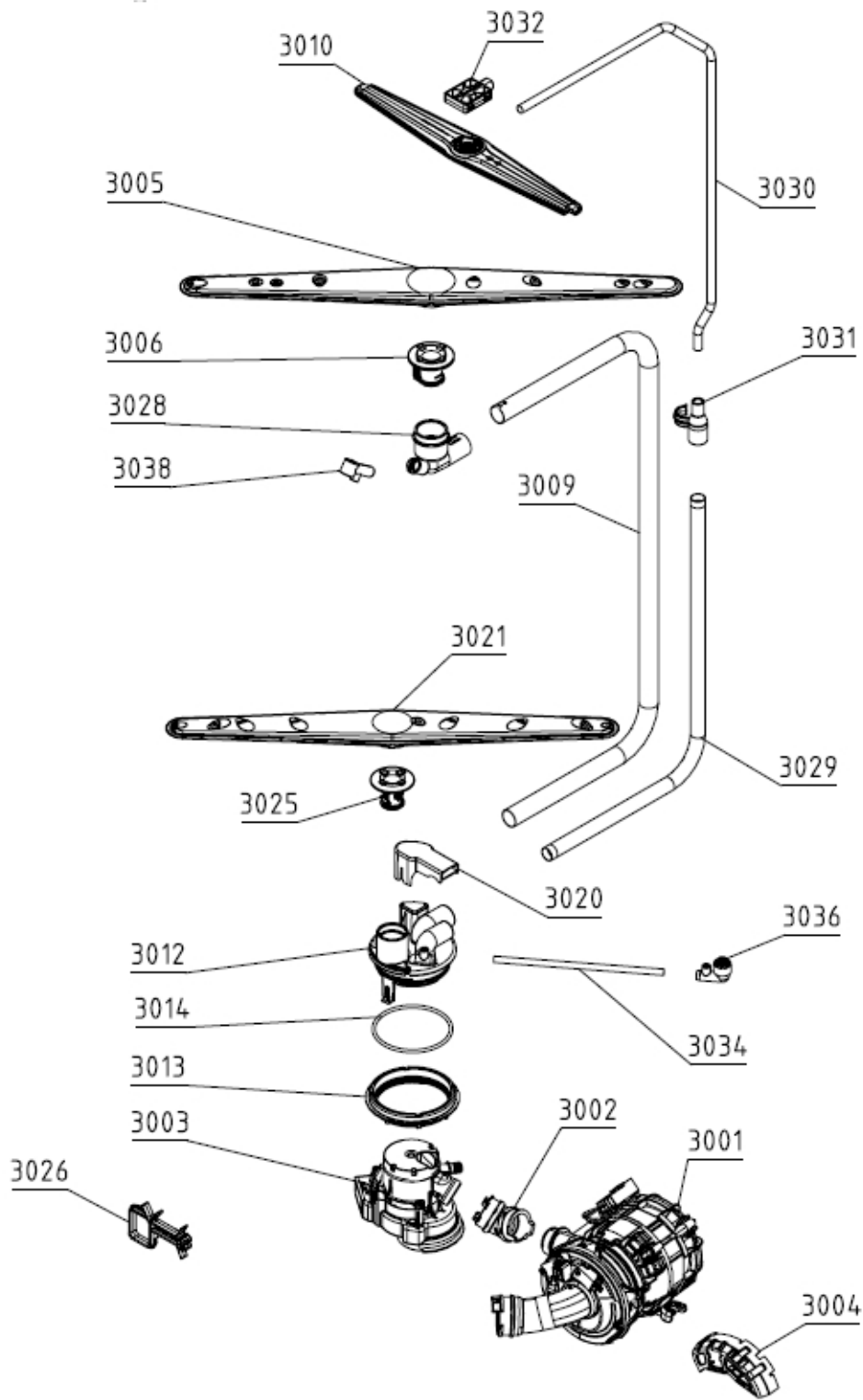
**161655**



| Position | Ident  | Spare part description             | Quantity | Validity | Extra ID |
|----------|--------|------------------------------------|----------|----------|----------|
| 2001     | 490026 | UPP.BASKET PREMIUM 7502-B ASSY     | 1        |          |          |
| 2002     | 489454 | LOWER BASKET EXCLUSIVE 7502-B ASSY | 1        |          |          |
| 2004     | 435209 | HANDLE U-BASKET ASSY ASKO          | 1        |          |          |
| 2005     | 428811 | CUTLERY BASKET                     | 1        |          |          |
| 2010     | 476838 | KNIVES GUARD 5502-B                | 1        |          |          |

| Position | Ident  | Spare part description                   | Quantity | Validity | Extra ID |
|----------|--------|--|----------|----------|----------|
| 2011     | 655318 | BASKET WHEEL TEFLON 5502-B               | 4        |          |          |
| 2013     | 700391 | LOWER BASKET WHEEL                       | 8        |          |          |
| 2014     | 489477 | PLATE-RACK SHORT R 7502-B                | 2        |          |          |
| 2015     | 489476 | PLATE-RACK SHORT L 7502-B                | 2        |          |          |
| 2016     | 484431 | PLATE-RACK HOLDER SHORT 5502-B           | 2        |          |          |
| 2017     | 555551 | PLATE-RACK HOLDER ADJUSTMENT 5502-B      | 4        |          |          |
| 2018     | 476786 | KNIVES BASKET FRAME 7502-B               | 1        |          |          |
| 2019     | 488393 | UPPER BASKET ADJUSTMENT UNIT R ASSY      | 1        |          |          |
| 2020     | 488392 | UPPER BASKET ADJUSTMENT UNIT L ASSY      | 1        |          |          |
| 2022     | 700321 | KNIFE RACK                               | 2        |          |          |
| 2027     | 488568 | CUTLERY BASKET INSERT L ASSY             | 1        |          |          |
| 2028     | 488569 | CUTLERY BASKET INSERT R ASSY             | 1        |          |          |
| 2029     | 476840 | WINE GLASSES SHELF ADJUSTABLE NCS 7502-B | 2        |          |          |
| 2030     | 700390 | CUTLERY BASKET COVER                     | 1        |          |          |
| 2038     | 427447 | HANDLE                                   | 1        |          |          |

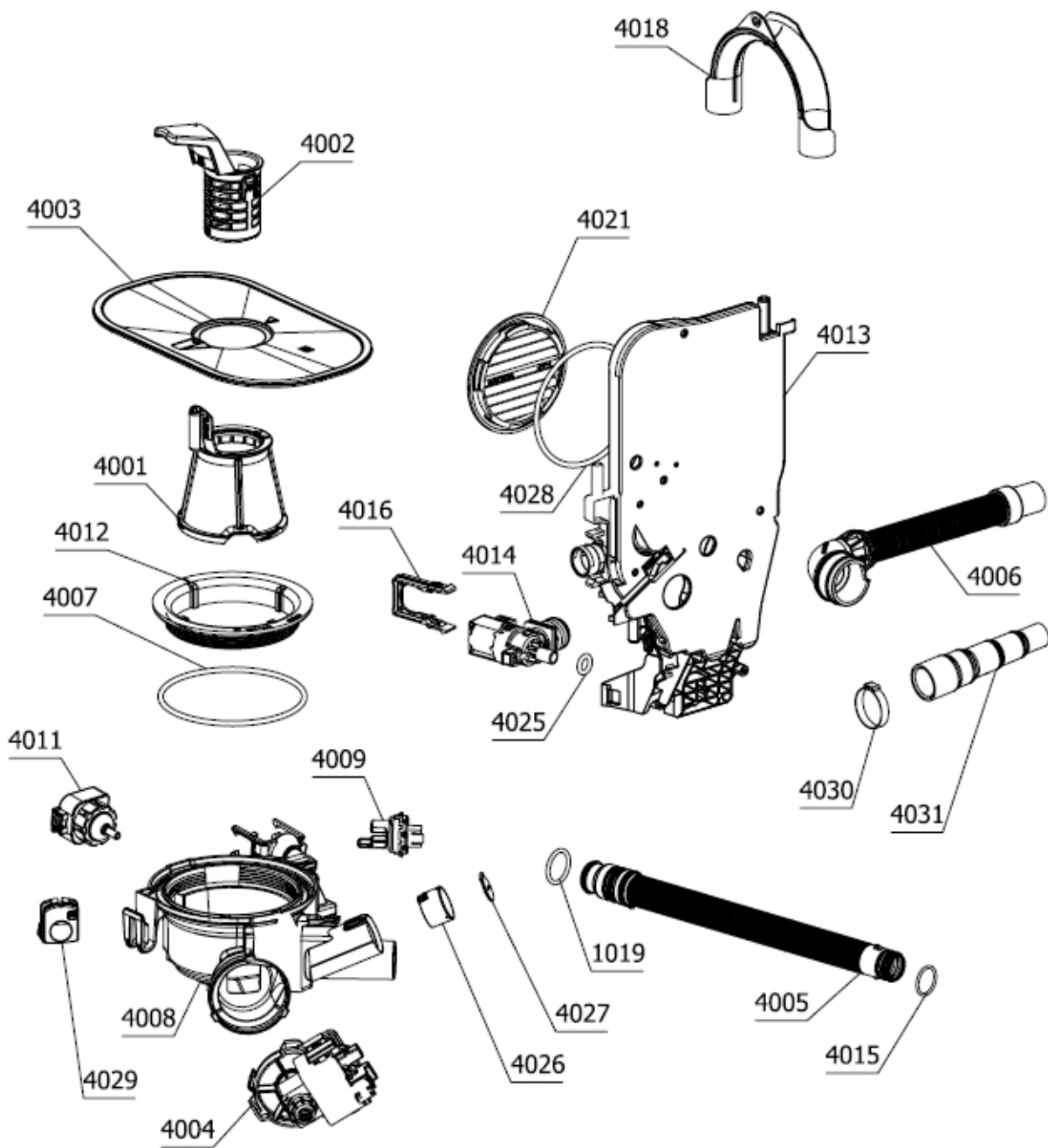
**162656**



| Position | Ident  | Spare part description                  | Quantity | Validity | Extra ID |
|----------|--------|---|----------|----------|----------|
| 3001     | 512073 | CIRC.PUMP STD W.HEATER 120V 60HZ 1200W  | 1        |          |          |
| 3001A    | 537874 | CLAMP - WIRE D 38                       | 1        |          |          |
| 3001B    | 680172 | HEATER,O-RING FOR CIRC.PUMP DW US 1600  | 1        |          |          |
| 3001C    | 680174 | CAPACITOR FOR CIRC.PUMP DW US 120V/60HZ | 1        |          |          |
| 3002     | 545949 | HOSE SET/CLAMP FOR CIRC.PUMP            | 1        |          |          |

| Position | Ident  | Spare part description             | Quantity | Validity | Extra ID |
|----------|--------|------------------------------------|----------|----------|----------|
| 3003     | 813321 | DIVERTER VALVE SET 120V            | 1        |          |          |
| 3004     | 515493 | COVER CIRC.PUMP                    | 1        |          |          |
| 3005     | 426740 | SPRAYARM UPPER ASSY                | 1        |          |          |
| 3006     | 700348 | SUPPORT                            | 1        |          |          |
| 3009     | 493522 | SPRAYER TUBE D18 DW20              | 1        |          |          |
| 3010     | 476717 | SPRAY ARM UPPER ASSY               | 1        |          |          |
| 3012     | 794802 | SPRAY TOWER                        | 1        |          |          |
| 3013     | 700323 | RING                               | 1        |          |          |
| 3014     | 700437 | GASKET                             | 1        |          |          |
| 3020     | 520549 | DISCHARGE COVER DW16               | 1        |          |          |
| 3021     | 474374 | SPRAY ARM LOW ASSY DW16            | 1        |          |          |
| 3025     | 474365 | SPRAY ARM HOLDER LOW.5502-B        | 1        |          |          |
| 3026     | 700270 | WIRING HARNESS HOLDER DW70 000     | 1        |          |          |
| 3028     | 700487 | SUPPORT                            | 1        |          |          |
| 3029     | 499664 | SPRAYER TUBE D14 L275 XL           | 1        |          |          |
| 3030     | 481405 | SPRAYER TUBE D8 XXL                | 1        |          |          |
| 3031     | 476714 | TUBE CONNECTING PART D14-D8 5502-B | 1        |          |          |
| 3032     | 476715 | SPRAY ARM ATTACHMENT MINI 5502-B   | 1        |          |          |
| 3034     | 700329 | HOSE                               | 1        |          |          |
| 3036     | 484955 | SPRAYER NOZZLE R ASSY              | 1        |          |          |
| 3038     | 700324 | SPRAYING POUT                      | 1        |          |          |

**163652**

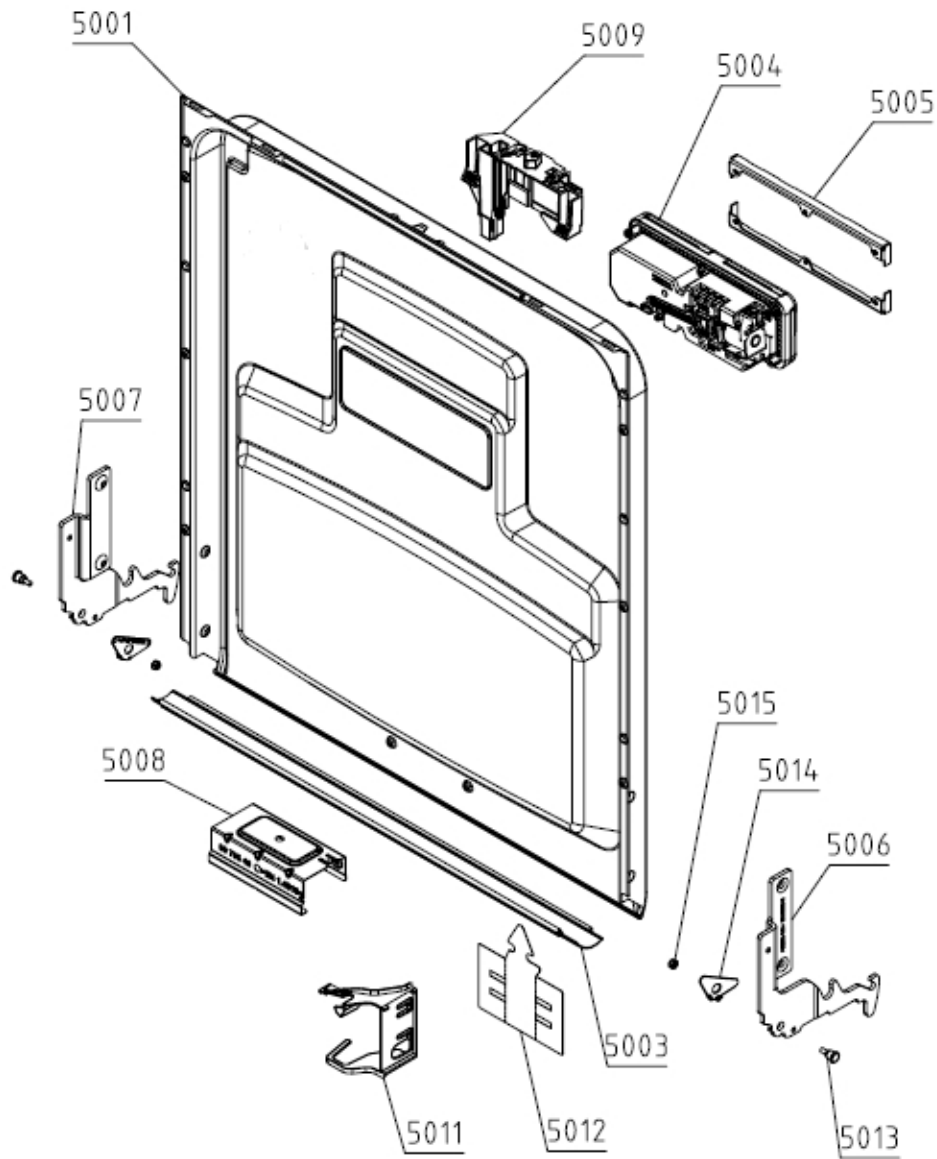


| Position | Ident  | Spare part description                | Quantity | Validity | Extra ID |
|----------|--------|---------------------------------------|----------|----------|----------|
| 4001     | 784738 | FILTER ASSY                           | 1        |          |          |
| 4002     | 515330 | COARSE STRAINER                       | 1        |          |          |
| 4003     | 573752 | UPPER STRAINER D0,6                   | 1        |          |          |
| 4004     | 581831 | DRAIN PUMP 120V 60HZ LEILI            | 1        |          |          |
| 4005     | 563263 | DISCHARGE HOSE INTERIOR               | 1        |          |          |
| 4006     | 689756 | SET HOSE/CLAMP/CUFF SIPHONE DISCHARGE | 1        |          |          |
| 4007     | 700415 | GASKET                                | 1        |          |          |
| 4008     | 784737 | BOTTOM SUMP ASSY                      | 1        |          |          |

| Position | Ident  | Spare part description   | Quantity | Validity | Extra ID |
|----------|--------|--------------------------|----------|----------|----------|
| 4009     | 508118 | THERMISTOR SENSOR UL4    | 1        |          |          |
| 4010     | 512673 | O-RING 23X3 N70          | 1        |          |          |
| 4011     | 589657 | PRESSURE SENSOR SET DW30 | 1        |          |          |
| 4012     | 700325 | RING                     | 1        |          |          |
| 4013     | 714345 | SET AIR BREAK,O-RING     | 1        |          |          |
| 4014     | 611906 | INLET VALVE ASSY 120 V   | 1        |          |          |
| 4015     | 559007 | O-RING 20,5X2            | 2        |          |          |
| 4016     | 700439 | CLAMP                    | 1        |          |          |
| 4018     | 498220 | DISCHARGE HOSE BOW POM   | 1        |          |          |
| 4021     | 514530 | AIR BREAK LOCK RING      | 1        |          |          |
| 4025     | 517668 | O-RING 10X3,5            | 2        |          |          |
| 4026     | 513850 | NON-RETURN VALVE HOLDER  | 1        |          |          |
| 4027     | 513851 | NON-RETURN VALVE         | 1        |          |          |
| 4028     | 708314 | O-RING 95X4              | 1        |          |          |
| 4029     | 512051 | BOTTOM SUMP PLUG 1070-Y  | 1        |          |          |
| 4030     | 700476 | CLAMP                    | 1        |          |          |
| 4031     | 700484 | END CUFF                 | 1        |          |          |

164654

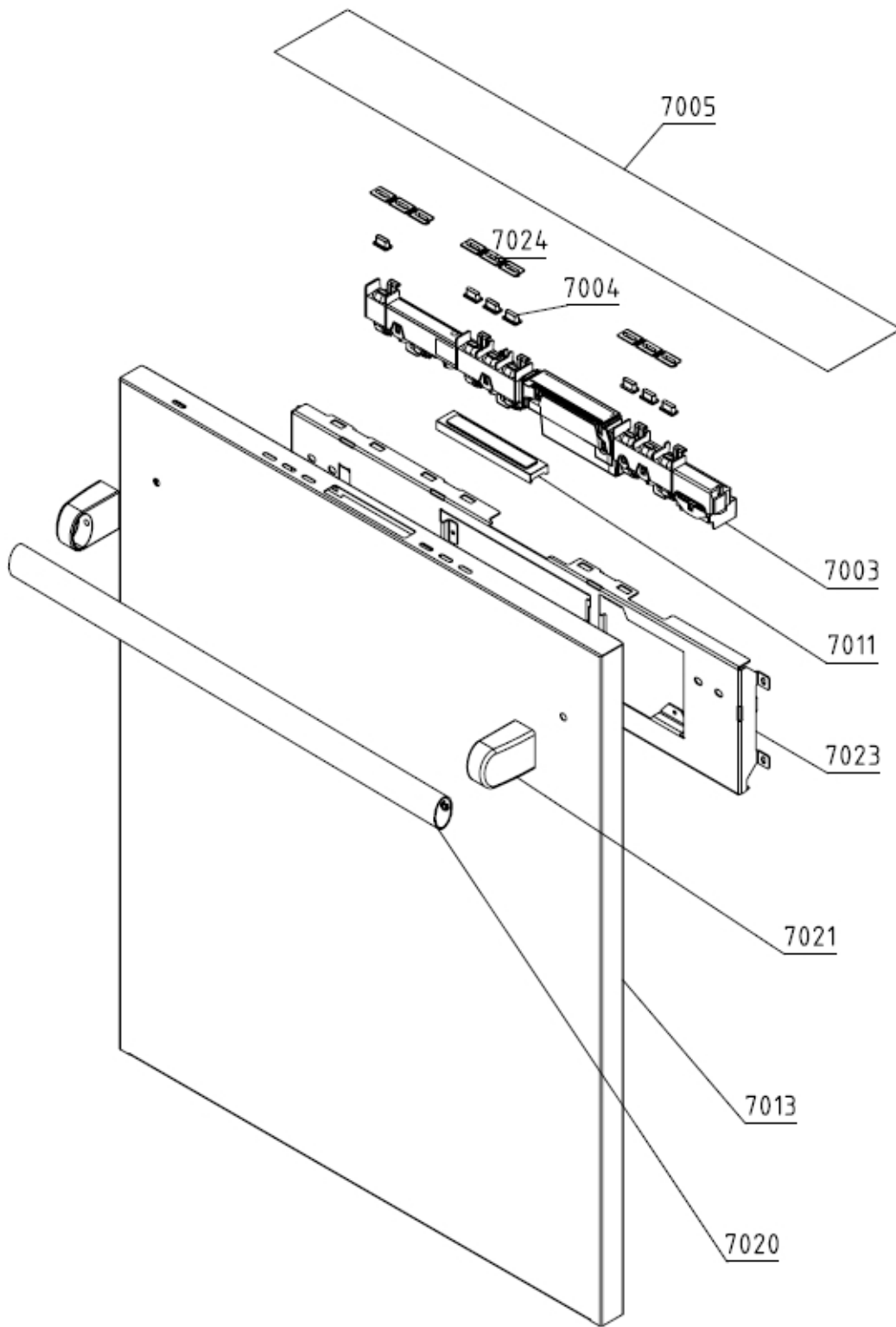




| Position | Ident  | Spare part description               | Quantity | Validity | Extra ID |
|----------|--------|--------------------------------------|----------|----------|----------|
| 5001     | 655729 | INTERIOR DOOR FS/SI XL DW40 ASSY     | 1        |          |          |
| 5001A    | 785608 | SCREW                                | 6        |          |          |
| 5001B    | 200617 | SCREW PT KB40X10 WN1442 RFS          | 3        |          |          |
| 5003     | 426743 | DOOR GASKET                          | 1        |          |          |
| 5004     | 700275 | SOAP DISPENSER                       | 1        |          |          |
| 5005     | 700559 | SOAP DISPENSER HOLDER DW COMBI AWECO | 2        |          |          |
| 5005A    | 200621 | SCREW PTK 40X14 WN1452 FZB T2        | 6        |          |          |
| 5006     | 709480 | HINGE RIGHT                          | 1        |          |          |

| Position | Ident  | Spare part description                   | Quantity | Validity | Extra ID |
|----------|--------|--|----------|----------|----------|
| 5007     | 709479 | HINGE LEFT                               | 1        |          |          |
| 5007A    | 700243 | SCREW M5X16-A2 TORX25 MKF                | 4.250    |          |          |
| 5008     | 700475 | HOLDER                                   | 1        |          |          |
| 5008A    | 700470 | SCREW ST4,2X13-A4 TORX20 RTS BUFAB       | 2        |          |          |
| 5009     | 598879 | DOOR LOCK                                | 1        |          |          |
| 5009A    | 570424 | SCREW PTK 40X13 WN5454                   | 4        |          |          |
| 5011     | 449948 | INTERIOR DOOR HARNESS HOLDER DW UL4 9005 | 1        |          |          |
| 5012     | 700409 | COVER                                    | 1        |          |          |
| 5013     | 700312 | HINGE SCREW                              | 2        |          |          |
| 5014     | 709327 | HINGE WASHER RIGHT                       | 1        |          |          |
| 5014     | 709328 | HINGE WASHER LEFT                        | 1        |          |          |
| 5015     | 700472 | NUT M4-SELF-LOCKING                      | 2        |          |          |

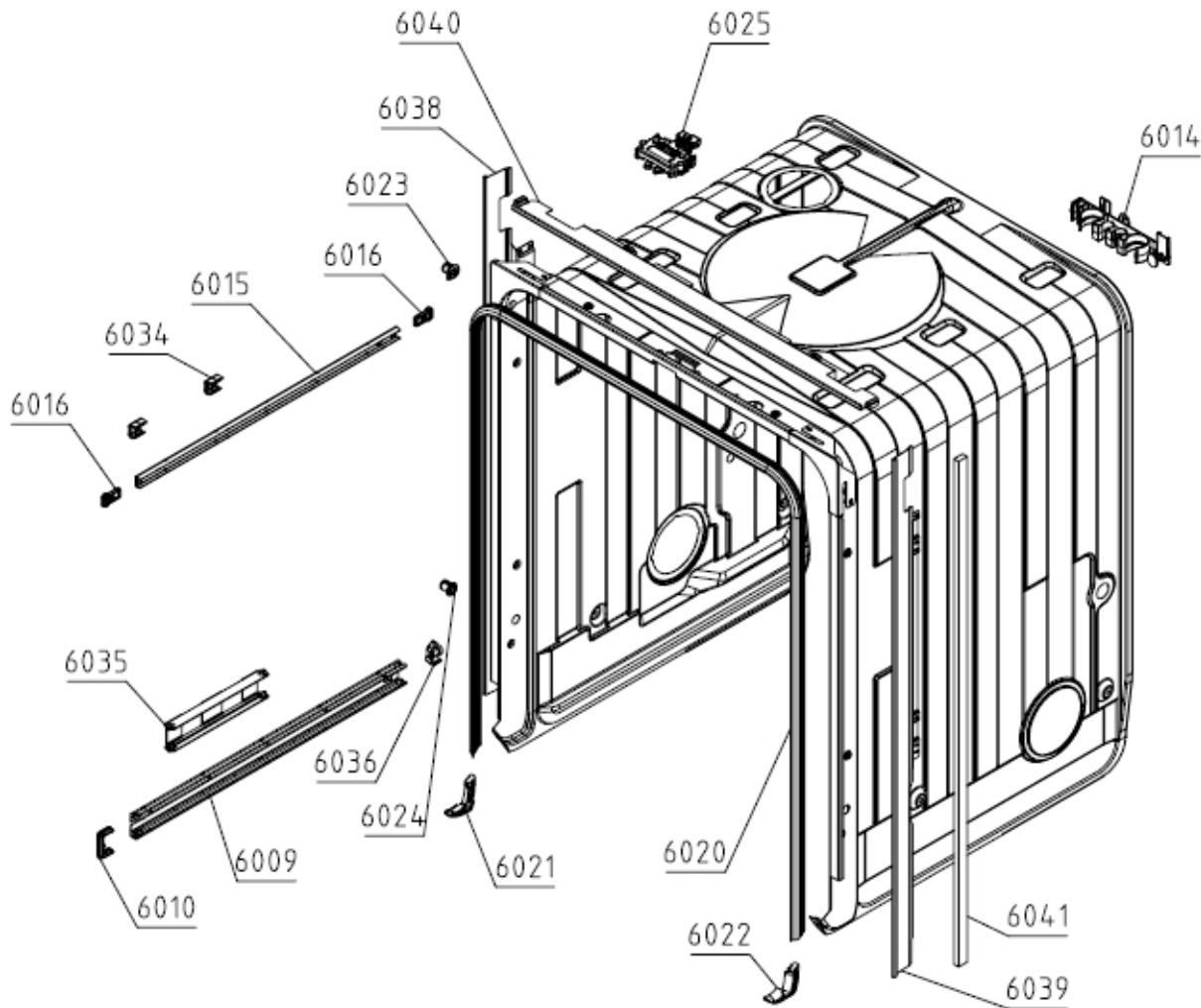
**165657**



| Position | Ident  | Spare part description                | Quantity | Validity | Extra ID |
|----------|--------|---------------------------------------|----------|----------|----------|
| 7003     | 810289 | UPPER USER INTERFACE                  | 1        |          |          |
| 7004     | 552917 | PUSH BUTTON                           | 7        |          |          |
| 7005     | 555456 | PROTECTIVE FOIL                       | 1        |          |          |
| 7011     | 707190 | SET TOP DISPLAY                       | 1        |          |          |
| 7013     | 707188 | EXTERIOR DOOR ASSY                    | 1        |          |          |
| 7020     | 611972 | HANDLE TUBE PRO OVAL 23X34 C-C 500 DW | 1        |          |          |

| Position | Ident  | Spare part description       | Quantity | Validity | Extra ID |
|----------|--------|------------------------------|----------|----------|----------|
| 7021     | 461501 | HANDLE HOLDER PRO DW         | 2        |          |          |
| 7023     | 699066 | REINFORCEMENT OUTER DOOR TOP | 1        |          |          |
| 7024     | 707323 | SET GUIDE PUSH BUTTONS       | 1        |          |          |

## 166106



| Position | Ident  | Spare part description       | Quantity | Validity | Extra ID |
|----------|--------|------------------------------|----------|----------|----------|
| 6009     | 797102 | GUIDE                        | 2        |          |          |
| 6010     | 700430 | RAIL BLOCK                   | 2        |          |          |
| 6014     | 700274 | SUPPORT                      | 1        |          |          |
| 6015     | 476781 | UPPER BASKET GUIDE           | 2        |          |          |
| 6016     | 476783 | BASKET GUIDES STOPPER 5502-B | 4        |          |          |
| 6020     | 704575 | TUB GASKET DW 1701 UL4       | 1        |          |          |
| 6021     | 700518 | GASKET                       | 1        |          |          |

| Position | Ident  | Spare part description           | Quantity | Validity | Extra ID |
|----------|--------|----------------------------------|----------|----------|----------|
| 6022     | 700519 | GASKET                           | 1        |          |          |
| 6023     | 440647 | GUIDE PLUG DW 9500               | 2        |          |          |
| 6024     | 640272 | INSTALLATION PLUG                | 2        |          |          |
| 6025     | 805101 | DOOR LATCH                       | 1        |          |          |
| 6034     | 476782 | SLIDE GUIDE TOP BASKET 5502-B    | 4        |          |          |
| 6035     | 428814 | SPACER                           | 1        |          |          |
| 6036     | 700313 | GUIDE SHOCK ABSORBER             | 2        |          |          |
| 6038     | 623060 | TRIM STRIP L DW USA XXL SS BLANK | 1        |          |          |
| 6039     | 623061 | TRIM STRIP R DW USA XXL SS BLANK | 1        |          |          |
| 6040     | 623062 | TRIM STRIP LOW USA SS BLANK      | 1        |          |          |
| 6041     | 671331 | SEALING TAPE 8X15X750            | 2        |          |          |
| 9999     | 700626 | ATTACHMENT BAG 4 DISHWASHER      | 1        |          |          |

168001

SET KABELSKI  
WIRING HARNESS  
KABELBAUM  
CABLAGE ASSEMBLE

| Position | Ident  | Spare part description                  | Quantity | Validity | Extra ID |
|----------|--------|---|----------|----------|----------|
| 8001     | 509093 | WIRING HARNESS GCUX2-DOOR SWITCH        | 1        |          |          |
| 8002     | 509095 | WIRING HARNESS GCUX4-COMBINED DISPENSER | 1        |          |          |
| 8003     | 509096 | WIRING HARNESS GCUX5-RINSE AID          | 1        |          |          |
| 8004     | 509097 | WIRING HARNESS GCUX6-UI                 | 1        |          |          |
| 8005     | 509117 | WIRING HARNESS GCUX19-HEATER            | 1        |          |          |
| 8008     | 509105 | WIRING HARN.GCUX8-FLOW,PRES.,TURB.NTC   | 1        |          |          |
| 8009     | 509118 | WIRING HARNESS GCUX10-INLET DRAIN FLOAT | 1        |          |          |
| 8010     | 509111 | WIRING HARNESS GCUX12-DIVERTER          | 1        |          |          |
| 8013     | 509115 | WIRING HARNESS GCUX16-CIRCULATION PUMP  | 1        |          |          |
| 8017     | 537354 | WIRING HARNESS-INNER DOOR ASSY          | 1        |          |          |