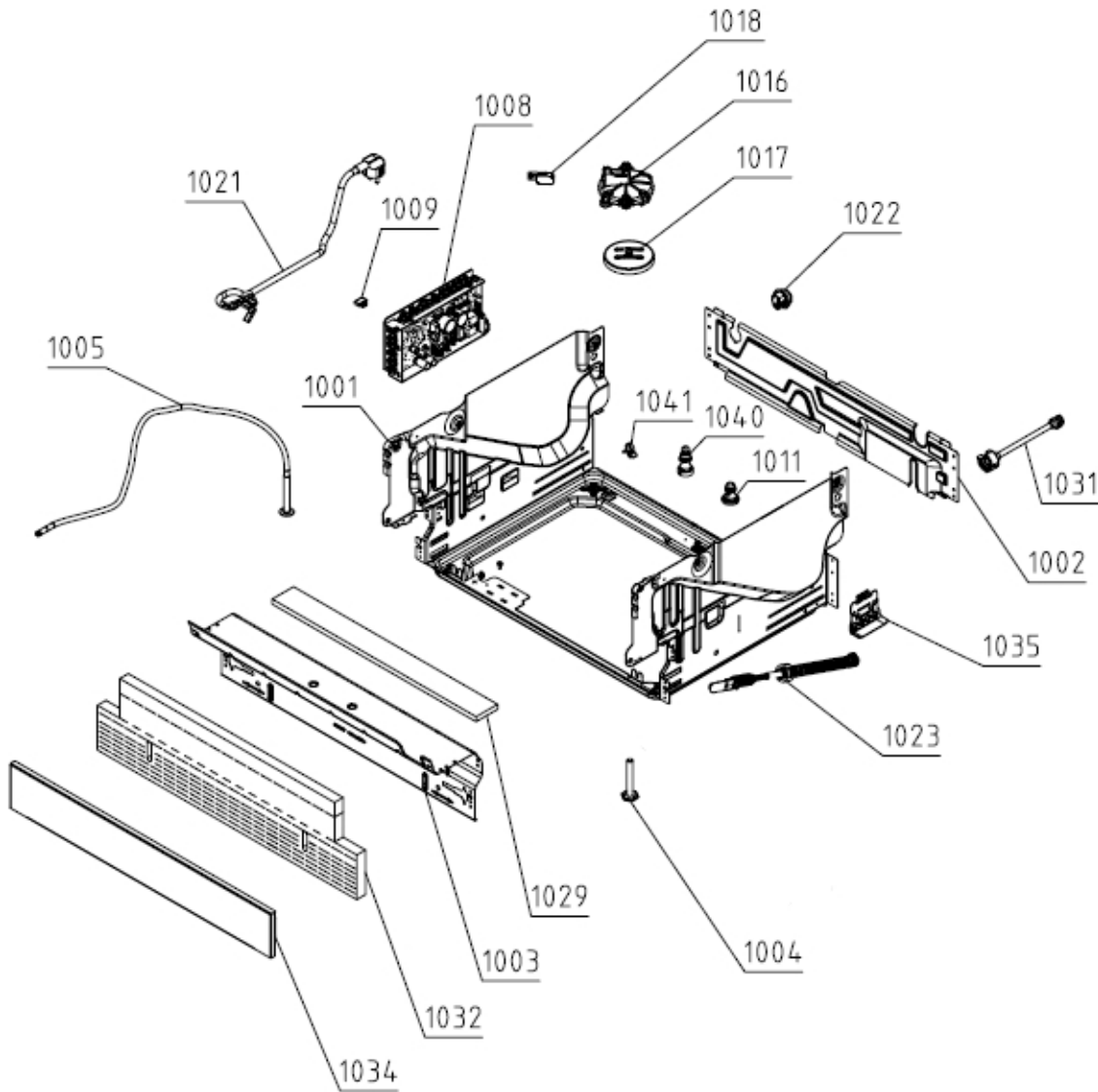


SPARE PARTS LIST

Type	DW40.2	Brand name	ASKO
Model	DBI663IS.U	Version	08.02.2018
Art. No.	728605	Service index	01

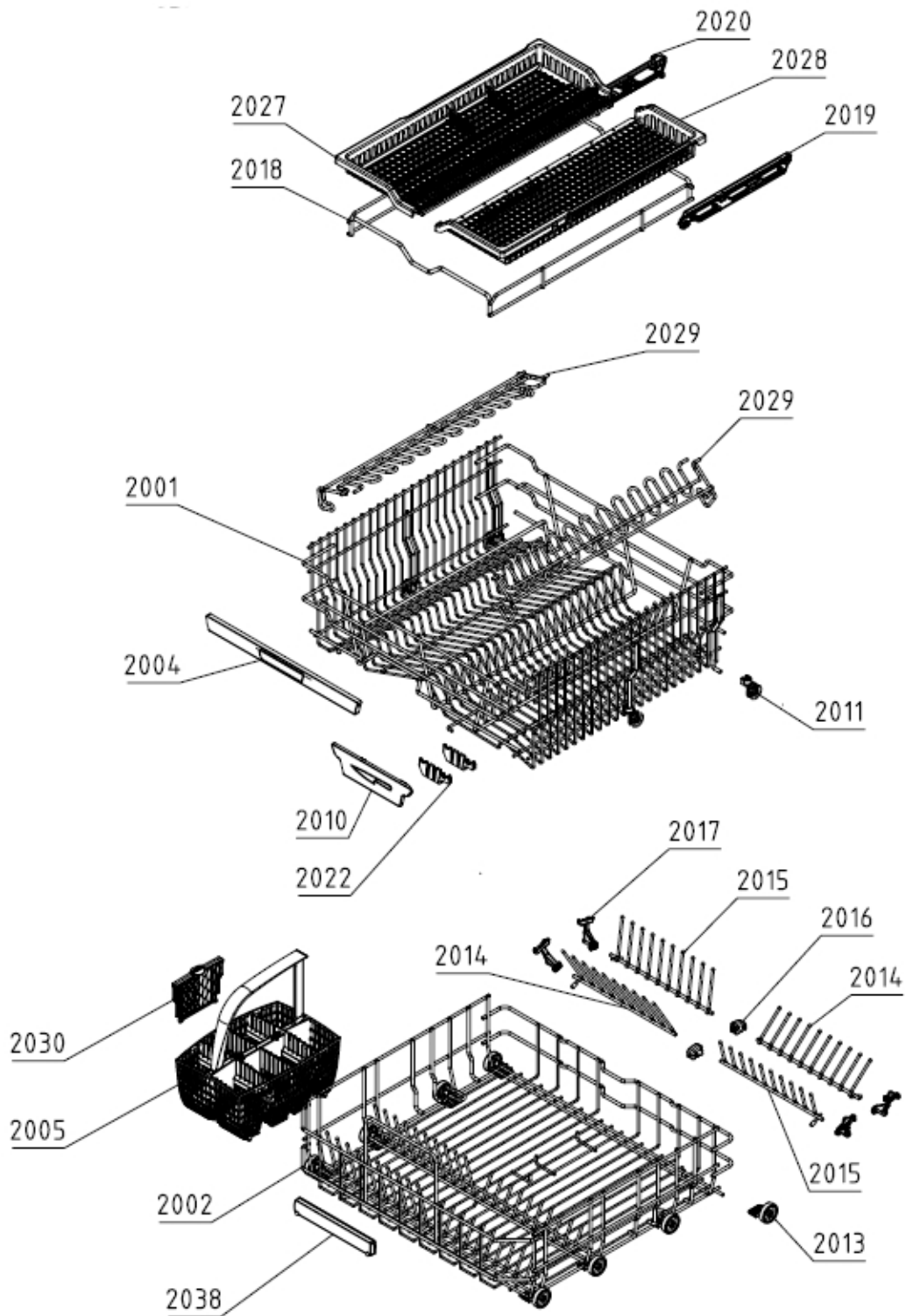
160656



Position	Ident	Spare part description	Quantity	Validity	Extra ID
1001	813325	BASE WITH FEET	1		
1001A	700436	SCREW A4 MRT M4X8 VAXED TORX20 BUFAB	2		
1001B	700474	SCREW	4		
1002	587257	BACK PANEL	1		

Position	Ident	Spare part description	Quantity	Validity	Extra ID
1003	700350	COVER	1		
1004	700290	FOOT	2		
1005	700289	ADJUSTABLE FOOT DW ASSY	1		
1008	692013	CONTROL UNIT C	1		
1011	576727	CIRCULATION PUMP DAMPER	2		
1016	512052	FLOAT BRACKET	1		
1017	655019	FLOAT	1		
1018	700335	MICROSWITCH	1		
1021	664836	SUPPLY CORD SJT 3X14AWG 1550	1		
1022	413719	CABLE GROMMET Z13	1		
1023	700527	SPRING	1		
1029	700377	ISOLATION	1		
1031	700266	INLET HOSE	1		
1031B	700483	GASKET	1		
1032	700292	ISOLATION	1		
1034	700541	BASEBOARD	1		
1034A	176604	SCREW RXS 4,2X9,5 FZB	2		
1035	700351	SPRING SUPPORT LEFT	2		
1035A	274037	SCREW RTK ST4,2X9,5 FZB WAX	2		
1040	700408	WASHING MOTOR CUSHION	1		
1041	700411	SUPPORT	1		

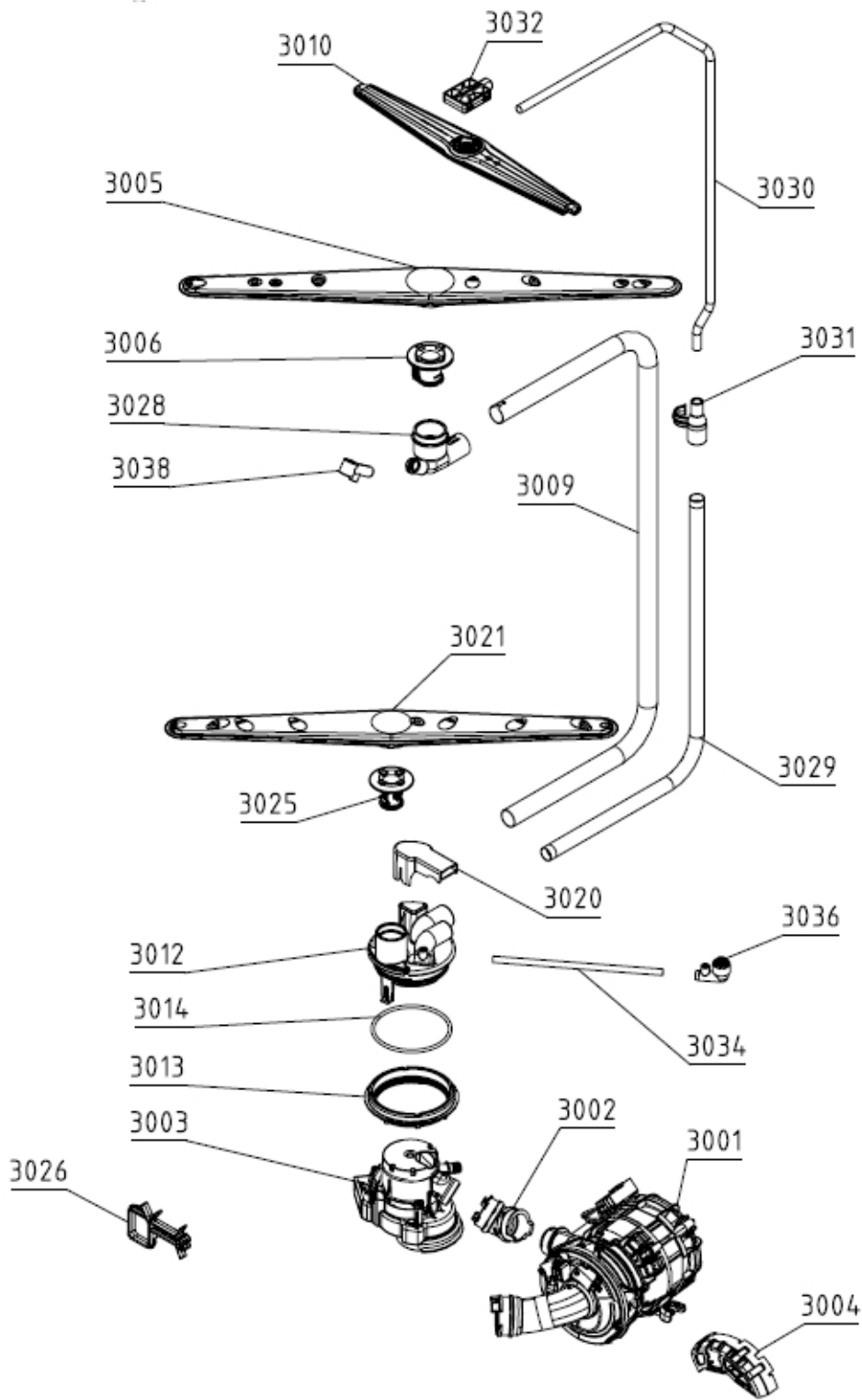
161655



Position	Ident	Spare part description	Quantity	Validity	Extra ID
2001	490026	UPP.BASKET PREMIUM 7502-B ASSY	1		
2002	489454	LOWER BASKET EXCLUSIVE 7502-B ASSY	1		
2004	435209	HANDLE U-BASKET ASSY ASKO	1		
2005	435210	CUTLERY BASKET HIGH HANDL	1		
2010	476838	KNIVES GUARD 5502-B	1		

Position	Ident	Spare part description	Quantity	Validity	Extra ID
2011	655318	BASKET WHEEL TEFLON 5502-B	4		
2013	700391	LOWER BASKET WHEEL	8		
2014	489477	PLATE-RACK SHORT R 7502-B	2		
2015	489476	PLATE-RACK SHORT L 7502-B	2		
2016	484431	PLATE-RACK HOLDER SHORT 5502-B	2		
2017	555551	PLATE-RACK HOLDER ADJUSTMENT 5502-B	4		
2018	476786	KNIVES BASKET FRAME 7502-B	1		
2019	488393	UPPER BASKET ADJUSTMENT UNIT R ASSY	1		
2020	488392	UPPER BASKET ADJUSTMENT UNIT L ASSY	1		
2022	700321	KNIFE RACK	2		
2027	488568	CUTLERY BASKET INSERT L ASSY	1		
2028	488569	CUTLERY BASKET INSERT R ASSY	1		
2029	476840	WINE GLASSES SHELF ADJUSTABLE NCS 7502-B	2		
2030	700390	CUTLERY BASKET COVER	1		
2038	427447	HANDLE	1		

162656



Position	Ident	Spare part description	Quantity	Validity	Extra ID
3001	512073	CIRC.PUMP STD W.HEATER 120V 60HZ 1200W	1		
3001A	537874	CLAMP - WIRE D 38	1		
3001B	680172	HEATER,O-RING FOR CIRC.PUMP DW US 1600	1		
3001C	680174	CAPACITOR FOR CIRC.PUMP DW US 120V/60HZ	1		
3002	545949	HOSE SET/CLAMP FOR CIRC.PUMP	1		

Position	Ident	Spare part description	Quantity	Validity	Extra ID
3003	813321	DIVERTER VALVE SET 120V	1		
3004	515493	COVER CIRC.PUMP	1		
3005	426740	SPRAYARM UPPER ASSY	1		
3006	700348	SUPPORT	1		
3009	493522	SPRAYER TUBE D18 DW20	1		
3010	476717	SPRAY ARM UPPER ASSY	1		
3012	794802	SPRAY TOWER	1		
3013	700323	RING	1		
3014	700437	GASKET	1		
3020	520549	DISCHARGE COVER DW16	1		
3021	474374	SPRAY ARM LOW ASSY DW16	1		
3025	474365	SPRAY ARM HOLDER LOW.5502-B	1		
3026	700270	WIRING HARNESS HOLDER DW70 000	1		
3028	700487	SUPPORT	1		
3029	499664	SPRAYER TUBE D14 L275 XL	1		
3030	481405	SPRAYER TUBE D8 XXL	1		
3031	476714	TUBE CONNECTING PART D14-D8 5502-B	1		
3032	476715	SPRAY ARM ATTACHMENT MINI 5502-B	1		
3034	700329	HOSE	1		
3036	484955	SPRAYER NOZZLE R ASSY	1		
3038	700324	SPRAYING POUT	1		

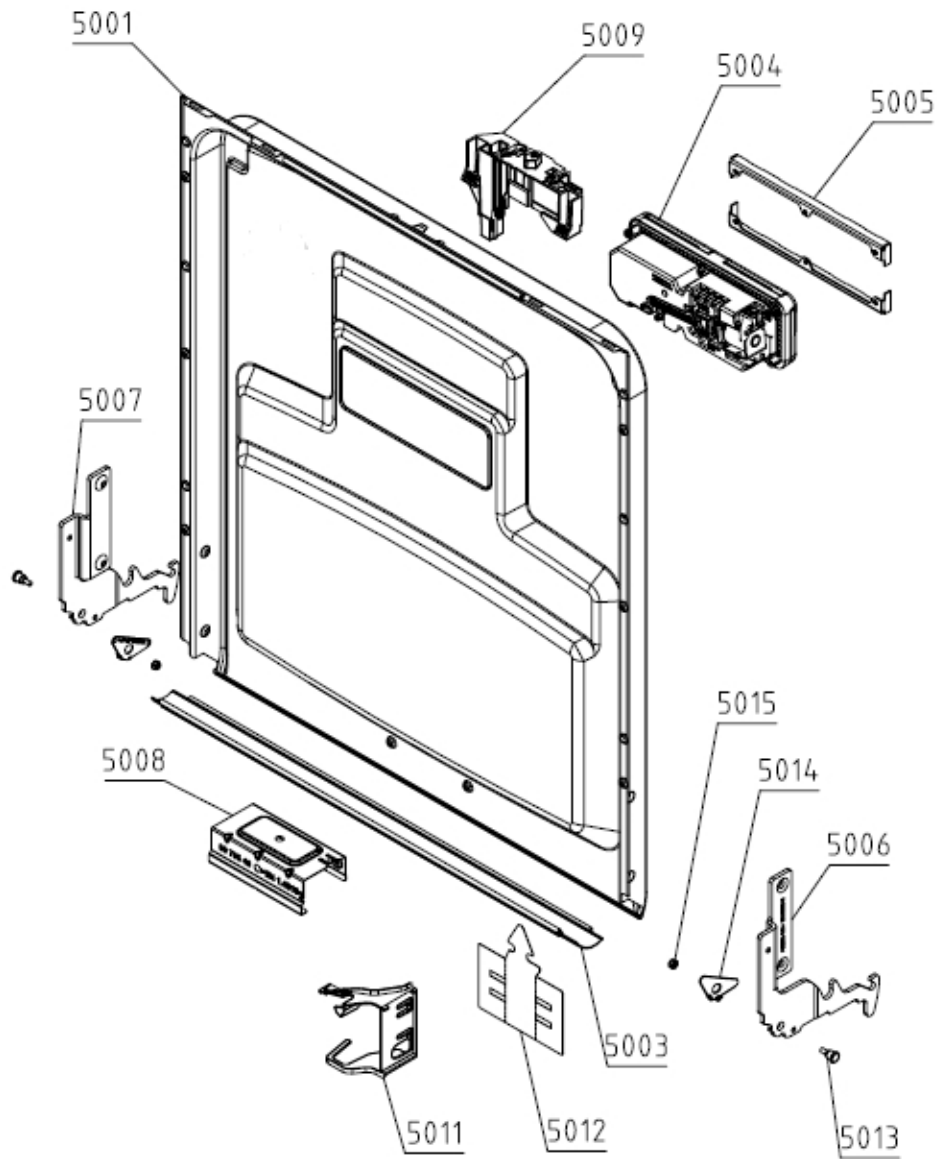
163652



Position	Ident	Spare part description	Quantity	Validity	Extra ID
4001	551934	FILTER SET ASSY	1		
4002	515330	COARSE STRAINER	1		
4003	573752	UPPER STRAINER D0,6	1		
4004	581831	DRAIN PUMP 120V 60HZ LEILI	1		
4005	563263	DISCHARGE HOSE INTERIOR	1		
4006	689756	SET HOSE/CLAMP/CUFF SIPHON DISCHARGE	1		
4007	700415	GASKET	1		
4008	799947	SUMP WITH FILTER	1		

Position	Ident	Spare part description	Quantity	Validity	Extra ID
4009	508118	THERMISTOR SENSOR UL4	1		
4010	512673	O-RING 23X3 N70	1		
4011	589657	PRESSURE SENSOR SET DW30	1		
4012	700325	RING	1		
4013	714345	SET AIR BREAK,O-RING	1		
4014	611906	INLET VALVE ASSY 120 V	1		
4015	559007	O-RING 20,5X2	2		
4016	700439	CLAMP	1		
4018	498220	DISCHARGE HOSE BOW POM	1		
4021	514530	AIR BREAK LOCK RING	1		
4025	517668	O-RING 10X3,5	1		
4026	513850	NON-RETURN VALVE HOLDER	1		
4027	513851	NON-RETURN VALVE	1		
4028	708314	O-RING 95X4	1		
4029	512051	BOTTOM SUMP PLUG 1070-Y	1		
4030	700476	CLAMP	1		
4031	700484	END CUFF	1		

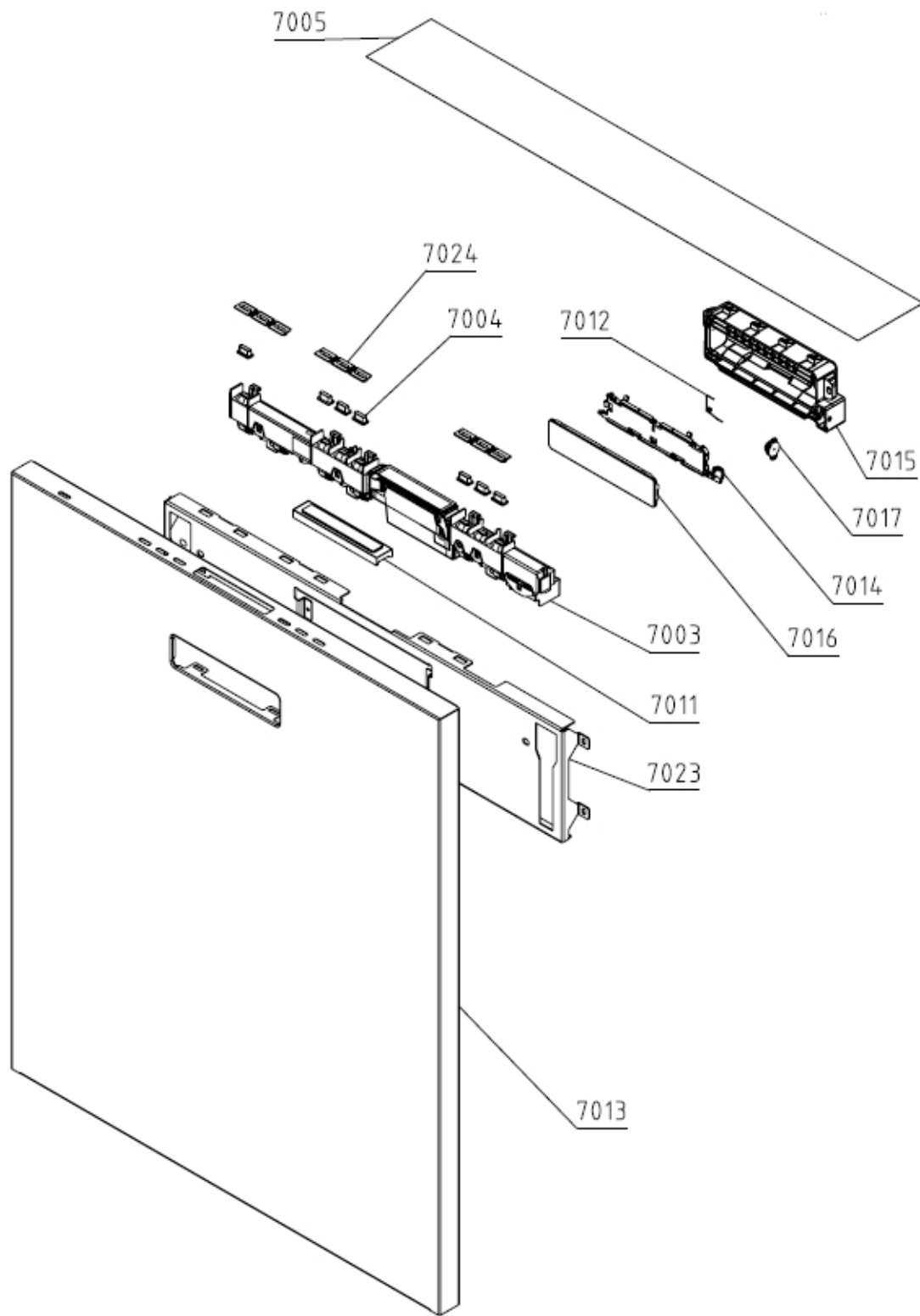
164654



Position	Ident	Spare part description	Quantity	Validity	Extra ID
5001	655729	INTERIOR DOOR FS/SI XL DW40 ASSY	1		
5001A	700470	SCREW ST4,2X13-A4 TORX20 RTS BUFAB	8		
5001B	200617	SCREW PT KB40X10 WN1442 RFS	3		
5003	426743	DOOR GASKET	1		
5004	700275	SOAP DISPENSER	1		
5005	700559	SOAP DISPENSER HOLDER DW COMBI AWECO	2		
5005A	200621	SCREW PTK 40X14 WN1452 FZB T2	6		
5006	727779	HINGE LEFT ASSY	1		

Position	Ident	Spare part description	Quantity	Validity	Extra ID
5007	727771	HINGE RIGHT ASSY	1		
5007A	700243	SCREW M5X16-A2 TORX25 MKF	4.250		
5008	700475	HOLDER	1		
5008A	700451	SCREW RTS ST4,2X13 FZB TORX20	18		
5009	598879	DOOR LOCK	1		
5009A	570424	SCREW PTK 40X13 WN5454	4		
5011	449948	INTERIOR DOOR HARNESS HOLDER DW UL4 9005	1		
5012	700409	COVER	1		
5013	700312	HINGE SCREW	2		
5014	700429	WASHER	2		
5015	700472	NUT M4-SELF-LOCKING	2		

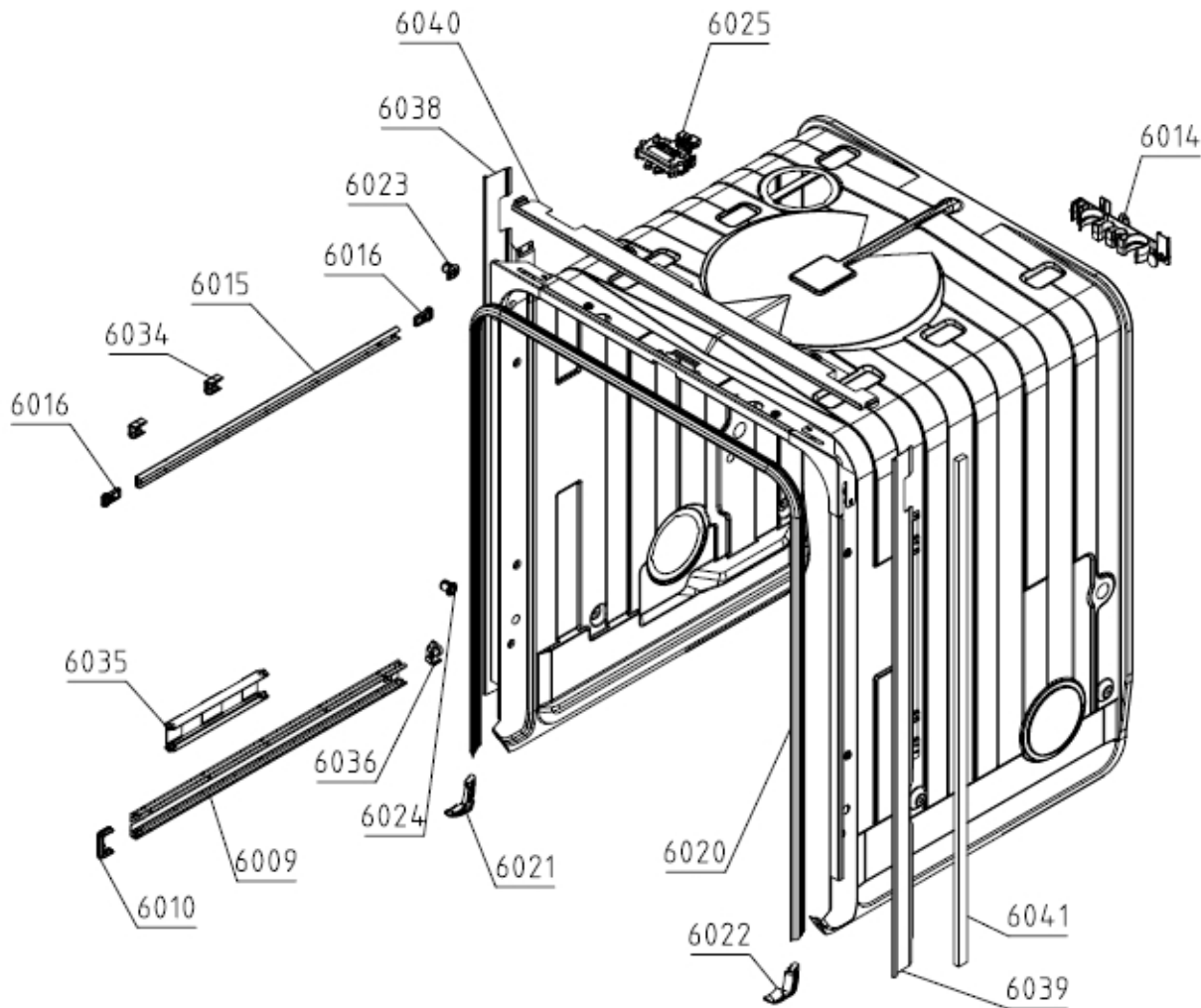
165659



Position	Ident	Spare part description	Quantity	Validity	Extra ID
7003	810289	UPPER USER INTERFACE	1		
7004	552917	PUSH BUTTON	7		
7005	555456	PROTECTIVE FOIL	1		
7011	707190	SET TOP DISPLAY	1		
7012	700482	SPRING	1		

Position	Ident	Spare part description	Quantity	Validity	Extra ID
7013	707187	XTERIOR DOOR ASSY	1		
7014	587181	HANDLE LID CARRIE	1		
7015	588330	HANDLE INT FOR LID	1		
7016	587168	DECORATIVE PLATE HANDLE	1		
7017	587184	ROTARY DAMPER	1		
7023	684657	REINFORCEMENT OUTER DOOR	1		
7024	707323	SET GUIDE PUSH BUTTONS	1		

166106



Position	Ident	Spare part description	Quantity	Validity	Extra ID
6009	797102	GUIDE	2		
6010	700430	RAIL BLOCK	2		
6014	700274	SUPPORT	1		
6015	476781	UPPER BASKET GUIDE	2		

Position	Ident	Spare part description	Quantity	Validity	Extra ID
6016	476783	BASKET GUIDES STOPPER 5502-B	4		
6020	704575	TUB GASKET DW 1701 UL4	1		
6021	700518	GASKET	1		
6022	700519	GASKET	1		
6023	440647	GUIDE PLUG DW 9500	2		
6024	640272	INSTALLATION PLUG	2		
6025	805101	DOOR LATCH	1		
6034	476782	SLIDE GUIDE TOP BASKET 5502-B	4		
6035	428814	SPACER	1		
6036	700313	GUIDE SHOCK ABSORBER	2		
6038	623060	TRIM STRIP L DW USA XXL SS BLANK	1		
6039	623061	TRIM STRIP R DW USA XXL SS BLANK	1		
6040	623062	TRIM STRIP LOW USA SS BLANK	1		
6041	671331	SEALING TAPE 8X15X750	2		
9999	700626	ATTACHMENT BAG 4 DISHWASHER	1		

168001

SET KABELSKI
WIRING HARNESS
KABELBAUM
CABLAGE ASSEMBLE

Position	Ident	Spare part description	Quantity	Validity	Extra ID
8001	509093	WIRING HARNESS GCUX2-DOOR SWITCH	1		
8002	509095	WIRING HARNESS GCUX4-COMBINED DISPENSER	1		
8003	509096	WIRING HARNESS GCUX5-RINSE AID	1		
8004	509097	WIRING HARNESS GCUX6-UI	1		
8005	509117	WIRING HARNESS GCUX19-HEATER	1		
8008	509105	WIRING HARN.GCUX8-FLOW,PRES.,TURB.NTC	1		
8009	509118	WIRING HARNESS GCUX10-INLET DRAIN FLOAT	1		
8010	509111	WIRING HARNESS GCUX12-DIVERTER	1		
8013	509115	WIRING HARNESS GCUX16-CIRCULATION PUMP	1		
8017	537354	WIRING HARNESS-INNER DOOR ASSY	1		