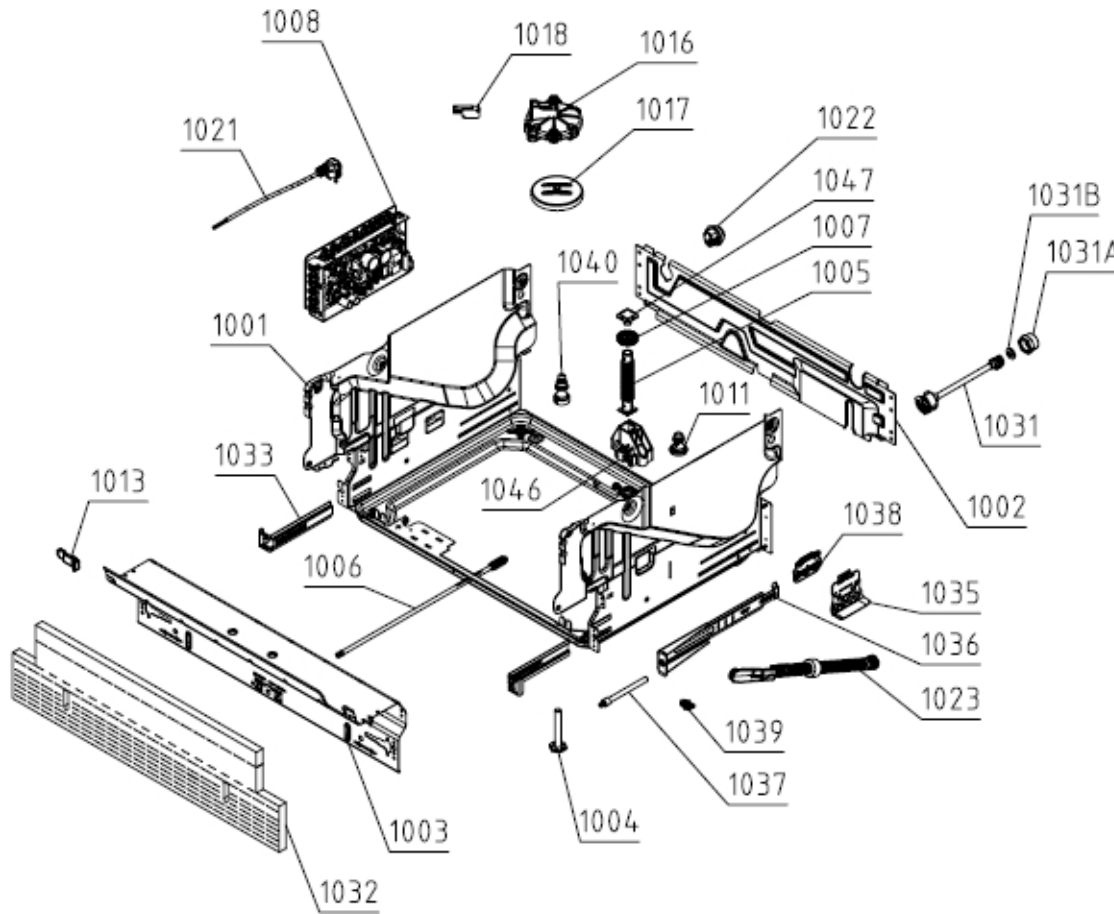


# SPARE PARTS LIST

|          |             |               |            |
|----------|-------------|---------------|------------|
| Type     | DW40.2      | Brand name    | ASKO       |
| Model    | DFI664XXL.U | Version       | 15.07.2021 |
| Art. No. | 734089      | Service index | 06         |

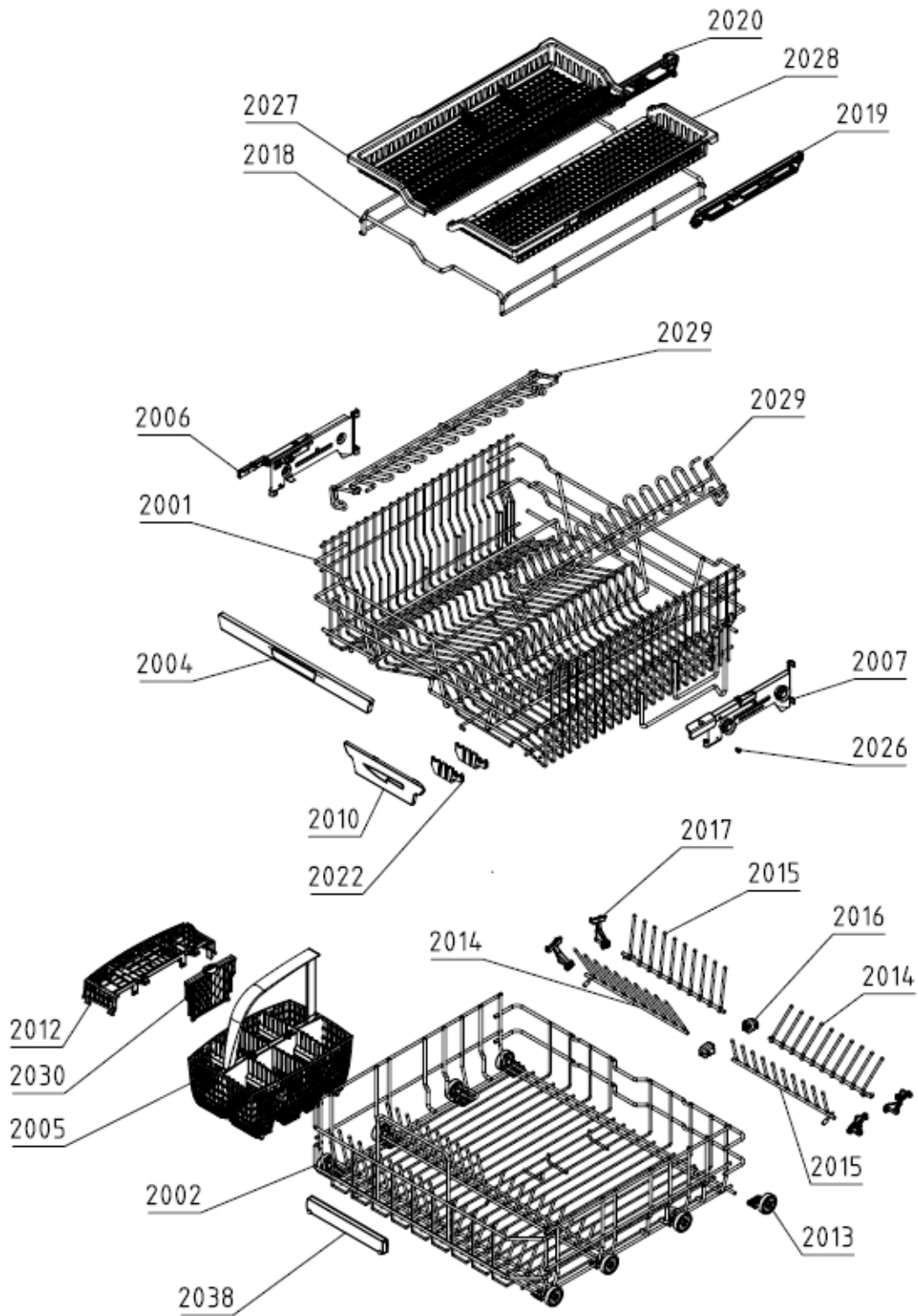
**160667**



| Position | Ident  | Spare part description               | Quantity | Validity | Extra ID |
|----------|--------|--------------------------------------|----------|----------|----------|
| 1001     | 799997 | BASE                                 | 1        |          |          |
| 1001A    | 700436 | SCREW A4 MRT M4X8 VAXED TORX20 BUFAB | 2        |          |          |
| 1001B    | 700474 | SCREW                                | 4        |          |          |
| 1002     | 860106 | BASE COVER BACK                      | 1        |          |          |
| 1003     | 700489 | BASE COVER LOW DW70 BLANK UL4        | 1        |          |          |
| 1003A    | 700451 | SCREW RTS ST4,2X13 FZB TORX20        | 15       |          |          |
| 1004     | 700290 | FOOT                                 | 2        |          |          |
| 1005     | 719543 | ADJUSTABLE FOOT                      | 1        |          |          |
| 1006     | 512031 | WORM                                 | 1        |          |          |

| Position | Ident  | Spare part description       | Quantity | Validity | Extra ID |
|----------|--------|------------------------------|----------|----------|----------|
| 1007     | 512082 | GEAR                         | 1        |          |          |
| 1008     | 795565 | CONTROL UNIT                 | 1        |          |          |
| 1011     | 576727 | CIRCULATION PUMP DAMPER      | 1        |          |          |
| 1013     | 700332 | SPRING                       | 2        |          |          |
| 1016     | 512052 | FLOAT BRACKET                | 1        |          |          |
| 1017     | 655019 | FLOAT                        | 1        |          |          |
| 1018     | 795705 | FLOAT MICROSWITCH            | 1        |          |          |
| 1021     | 664836 | SUPPLY CORD SJT 3X14AWG 1550 | 1        |          |          |
| 1022     | 667400 | RUBBER SEAL                  | 1        |          |          |
| 1022A    | 667401 | CLIP FOR INITIATION SLEEVE   | 1        |          |          |
| 1023     | 700403 | SPRING                       | 2        |          |          |
| 1031     | 700266 | INLET HOSE                   | 1        |          |          |
| 1031B    | 700483 | GASKET                       | 1        |          |          |
| 1032     | 700292 | ISOLATION                    | 1        |          |          |
| 1033     | 810537 | BASE COVER BRACKET           | 2        |          |          |
| 1034     | 700457 | BASEBOARD                    | 1        |          |          |
| 1035     | 700351 | SPRING SUPPORT LEFT          | 2        |          |          |
| 1036     | 700345 | ADJUST NUT                   | 2        |          |          |
| 1037     | 700346 | SCREW                        | 2        |          |          |
| 1038     | 700400 | SPRING HOLDER INTERMEDIATE   | 2        |          |          |
| 1039     | 700401 | GUIDE                        | 2        |          |          |
| 1046     | 719548 | ADJUSTABLE FOOT HOLDER       | 1        |          |          |
| 1047     | 719547 | ADJUSTABLE FOOT SLIDE        | 1        |          |          |

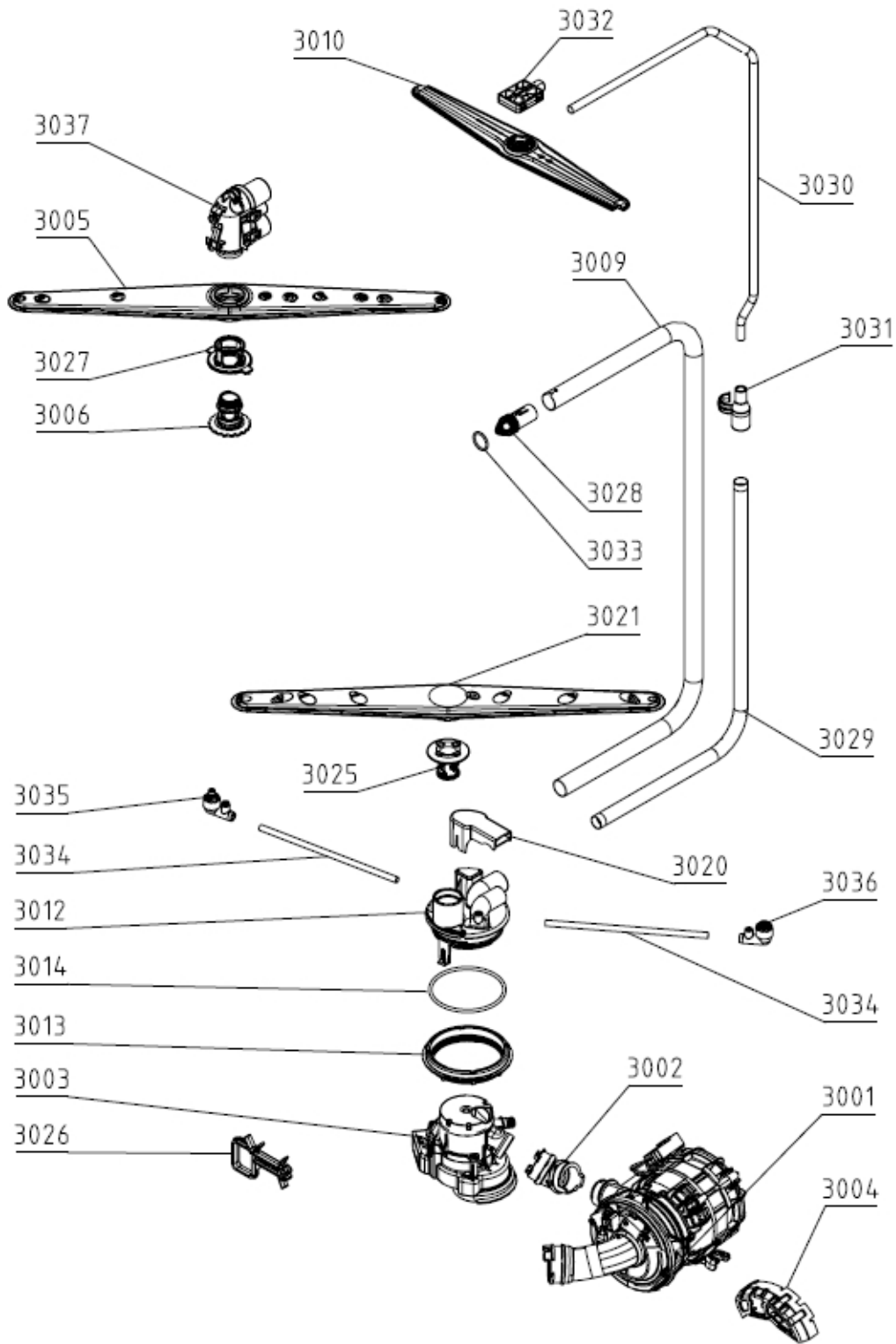
**161656**



| Position | Ident  | Spare part description                 | Quantity | Validity | Extra ID |
|----------|--------|--|----------|----------|----------|
| 2001     | 492995 | UPPER BASKET ASS.PREM. ASSY H/L 7502-B | 1        |          |          |
| 2002     | 489454 | LOWER BASKET EXCLUSIVE 7502-B ASSY     | 1        |          |          |
| 2004     | 435209 | HANDLE U-BASKET ASSY ASKO              | 1        |          |          |

| Position | Ident  | Spare part description              | Quantity | Validity | Extra ID |
|----------|--------|-------------------------------------|----------|----------|----------|
| 2005     | 859751 | CUTLERY BASKET LOW                  | 1        |          |          |
| 2006     | 700388 | GUIDE CASING                        | 1        |          |          |
| 2007     | 700387 | GUIDE CASING                        | 1        |          |          |
| 2010     | 476838 | KNIVES GUARD 5502-B                 | 1        |          |          |
| 2013     | 700391 | LOWER BASKET WHEEL                  | 8        |          |          |
| 2014     | 489477 | PLATE-RACK SHORT R 7502-B           | 2        |          |          |
| 2015     | 489476 | PLATE-RACK SHORT L 7502-B           | 2        |          |          |
| 2016     | 484431 | PLATE-RACK HOLDER SHORT 5502-B      | 2        |          |          |
| 2017     | 555551 | PLATE-RACK HOLDER ADJUSTMENT 5502-B | 4        |          |          |
| 2018     | 476786 | KNIVES BASKET FRAME 7502-B          | 1        |          |          |
| 2019     | 488393 | UPPER BASKET ADJUSTMENT UNIT R ASSY | 1        |          |          |
| 2020     | 488392 | UPPER BASKET ADJUSTMENT UNIT L ASSY | 1        |          |          |
| 2022     | 700321 | KNIFE RACK                          | 2        |          |          |
| 2026     | 700421 | PLUG                                | 2        |          |          |
| 2027     | 488568 | CUTLERY BASKET INSERT L ASSY        | 1        |          |          |
| 2028     | 488569 | CUTLERY BASKET INSERT R ASSY        | 1        |          |          |
| 2029     | 818925 | WINE GLASSES SHELF ADJUSTABLE       | 2        |          |          |
| 2030     | 700390 | CUTLERY BASKET COVER                | 1        |          |          |
| 2038     | 427447 | HANDLE                              | 1        |          |          |

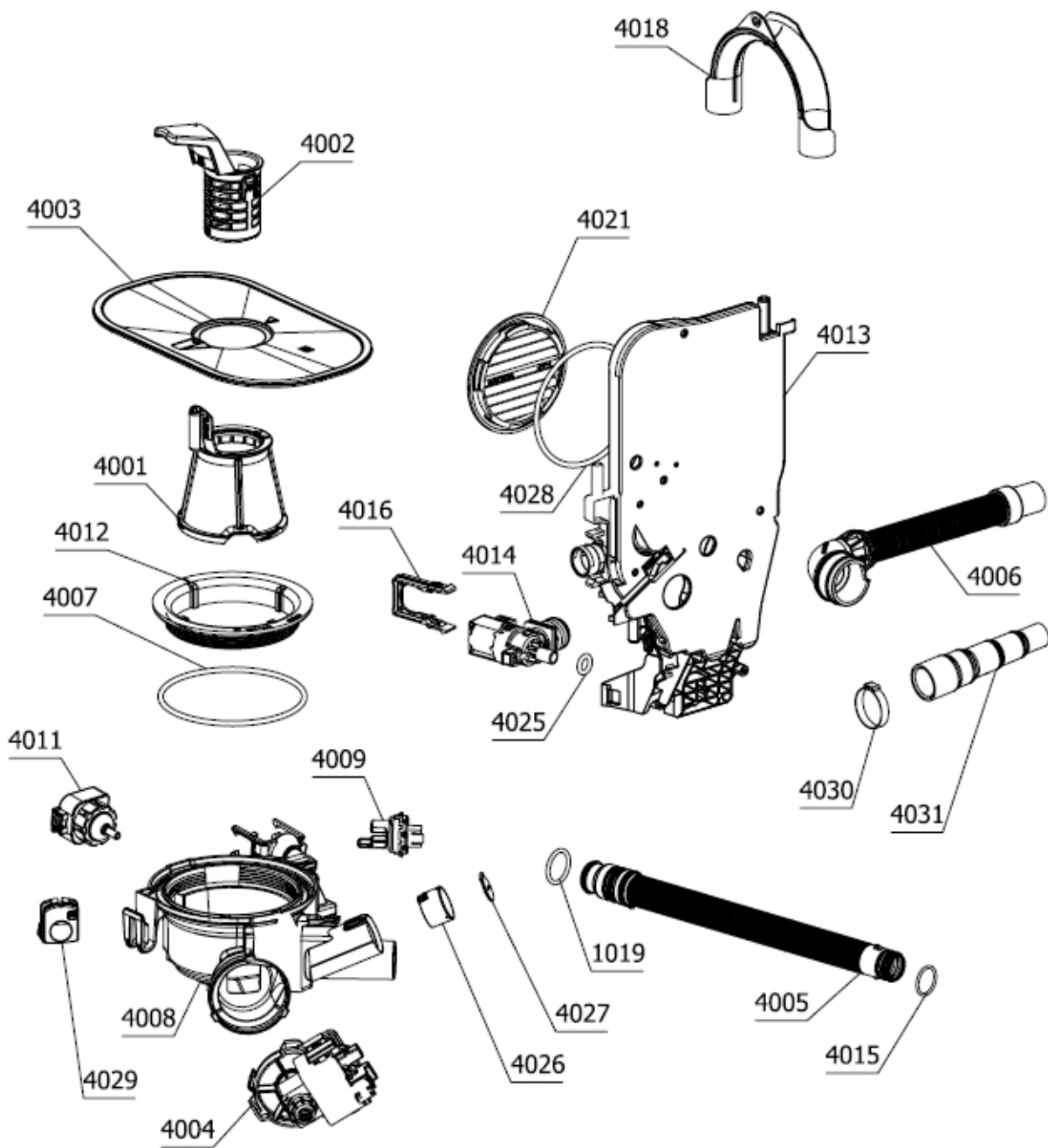
**162652**



| Position | Ident  | Spare part description                  | Quantity | Validity | Extra ID |
|----------|--------|---|----------|----------|----------|
| 3001     | 512070 | CIRC.PUMP BLDC190V W. HEATER 120V 1200W | 1        |          |          |
| 3001A    | 537874 | CLAMP - WIRE D 38                       | 1        |          |          |
| 3001B    | 680172 | HEATER,O-RING FOR CIRC.PUMP DW US 1600  | 1        |          |          |
| 3002     | 545949 | HOSE SET/CLAMP FOR CIRC.PUMP            | 1        |          |          |
| 3003     | 795709 | DIVERTER VALVE                          | 1        |          |          |
| 3004     | 515493 | COVER CIRC.PUMP                         | 1        |          |          |

| Position | Ident  | Spare part description              | Quantity | Validity | Extra ID |
|----------|--------|-------------------------------------|----------|----------|----------|
| 3005     | 700383 | SPRAYARM UPPER BASKET ASSY UL4      | 1        |          |          |
| 3006     | 700382 | BEARING                             | 1        |          |          |
| 3009     | 493470 | SPRAYER TUBE ADJ.UPP BASKET D18 XXL | 1        |          |          |
| 3010     | 476717 | SPRAY ARM UPPER ASSY                | 1        |          |          |
| 3012     | 794788 | SPRAY TOWER                         | 1        |          |          |
| 3012A    | 792367 | SPRAYER TOWER INSERT                | 1        |          |          |
| 3013     | 700323 | RING                                | 1        |          |          |
| 3014     | 700437 | GASKET                              | 1        |          |          |
| 3020     | 520549 | DISCHARGE COVER DW16                | 1        |          |          |
| 3021     | 474374 | SPRAY ARM LOW ASSY DW16             | 1        |          |          |
| 3025     | 474365 | SPRAY ARM HOLDER LOW.5502-B         | 1        |          |          |
| 3026     | 700270 | WIRING HARNESS HOLDER DW70 000      | 1        |          |          |
| 3027     | 700392 | SUPPORT                             | 1        |          |          |
| 3028     | 700385 | HOSE GUIDANCE                       | 1        |          |          |
| 3029     | 493469 | SPRAYER TUBE D14 XXL                | 1        |          |          |
| 3030     | 821176 | SPRAYER TUBE UPPER                  | 1        |          |          |
| 3031     | 819298 | TUBE CONNECTING PART                | 1        |          |          |
| 3032     | 819299 | SPRAY ARM ATTACHMENT MINI           | 1        |          |          |
| 3033     | 700264 | GASKET                              | 1        |          |          |
| 3034     | 700329 | HOSE                                | 2        |          |          |
| 3035     | 484953 | SPRAYER NOZZLE L ASSY               | 1        |          |          |
| 3036     | 484955 | SPRAYER NOZZLE R ASSY               | 1        |          |          |
| 3037     | 432827 | HOUSE SPRAYTOWER ASSY               | 1        |          |          |

163652

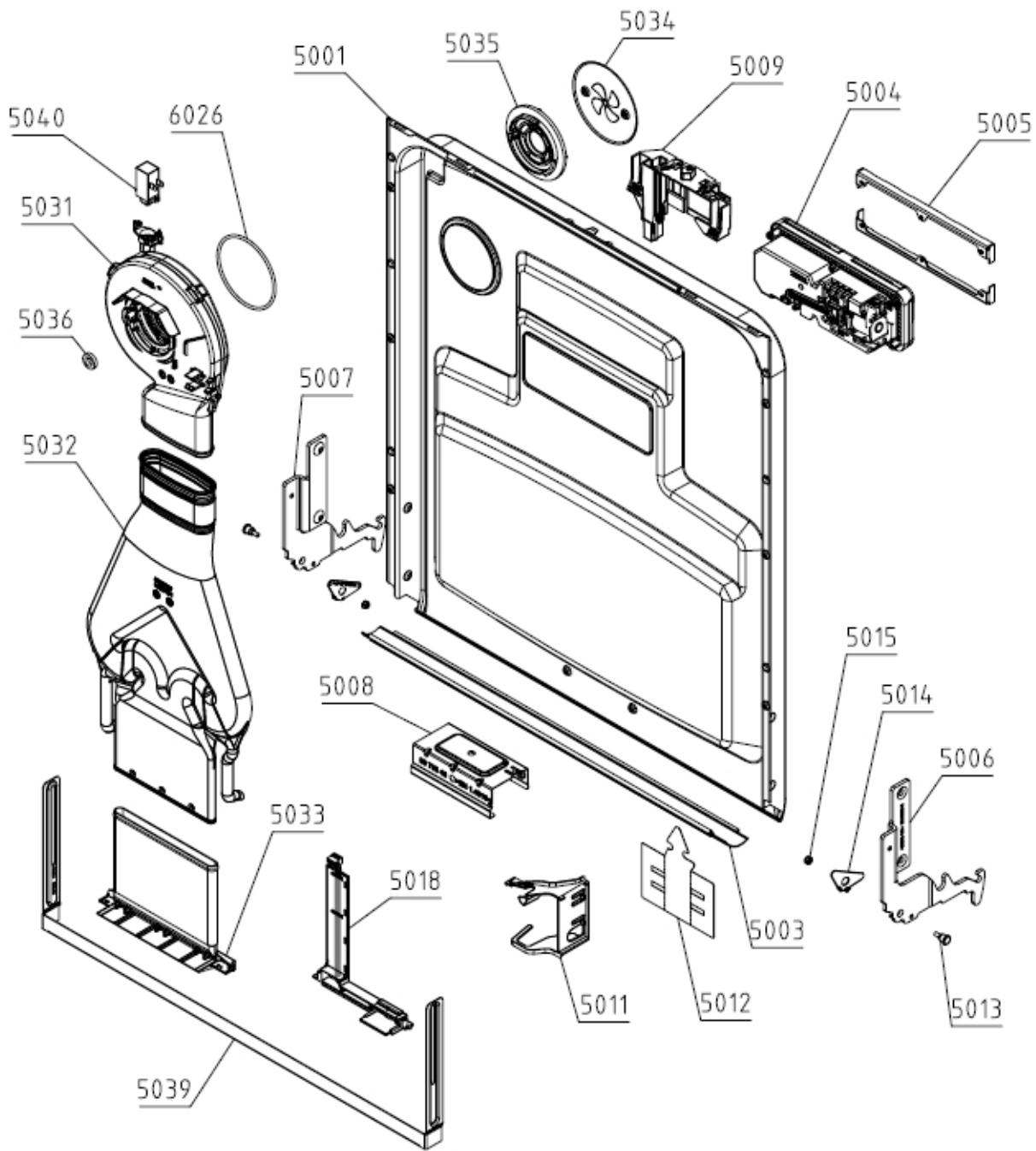


| Position | Ident  | Spare part description               | Quantity | Validity | Extra ID |
|----------|--------|--------------------------------------|----------|----------|----------|
| 4001     | 784738 | FILTER ASSY                          | 1        |          |          |
| 4002     | 515330 | COARSE STRAINER                      | 1        |          |          |
| 4003     | 812045 | UPPER STRAINER                       | 1        |          |          |
| 4004     | 581831 | DRAIN PUMP 120V 60HZ LEILI           | 1        |          |          |
| 4005     | 563263 | DISCHARGE HOSE INTERIOR              | 1        |          |          |
| 4006     | 689756 | SET HOSE/CLAMP/CUFF SIPHON DISCHARGE | 1        |          |          |
| 4007     | 700415 | GASKET                               | 1        |          |          |
| 4008     | 830852 | SUMP                                 | 1        |          |          |

| Position | Ident  | Spare part description   | Quantity | Validity | Extra ID |
|----------|--------|--------------------------|----------|----------|----------|
| 4009     | 508118 | THERMISTOR SENSOR UL4    | 1        |          |          |
| 4010     | 512673 | O-RING 23X3 N70          | 1        |          |          |
| 4011     | 589657 | PRESSURE SENSOR SET DW30 | 1        |          |          |
| 4012     | 700325 | RING                     | 1        |          |          |
| 4013     | 714345 | SET AIR BREAK,O-RING     | 1        |          |          |
| 4014     | 611906 | INLET VALVE ASSY 120 V   | 1        |          |          |
| 4015     | 559007 | O-RING 20,5X2            | 2        |          |          |
| 4016     | 700439 | CLAMP                    | 1        |          |          |
| 4018     | 498220 | DISCHARGE HOSE BOW POM   | 1        |          |          |
| 4021     | 514530 | AIR BREAK LOCK RING      | 1        |          |          |
| 4025     | 517668 | O-RING 10X3,5            | 1        |          |          |
| 4026     | 513850 | NON-RETURN VALVE HOLDER  | 1        |          |          |
| 4027     | 513851 | NON-RETURN VALVE         | 1        |          |          |
| 4028     | 708314 | O-RING 95X4              | 1        |          |          |
| 4029     | 512051 | BOTTOM SUMP PLUG 1070-Y  | 1        |          |          |
| 4030     | 700476 | CLAMP                    | 1        |          |          |
| 4031     | 700484 | END CUFF                 | 1        |          |          |

164650

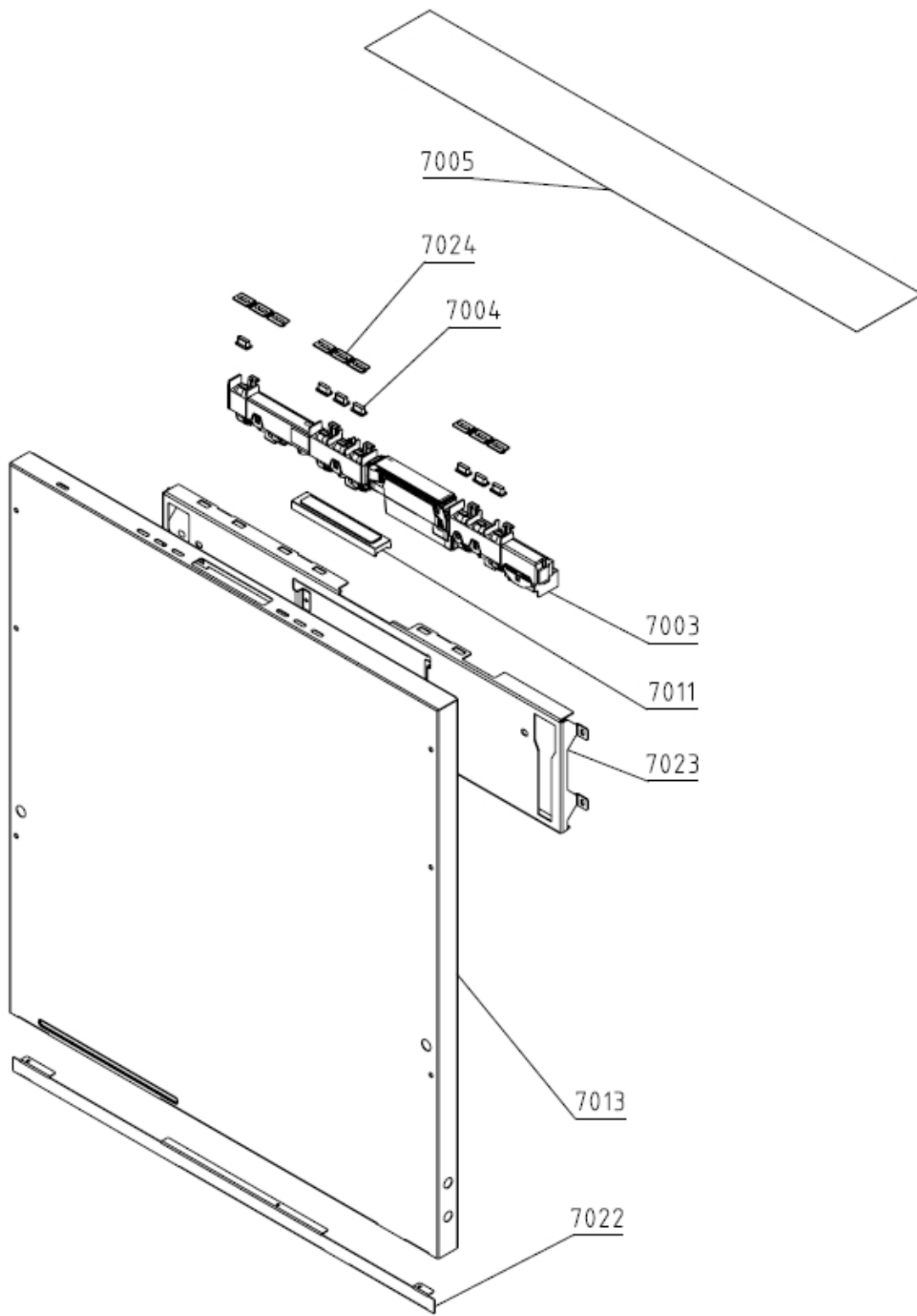




| Position | Ident  | Spare part description               | Quantity | Validity | Extra ID |
|----------|--------|--------------------------------------|----------|----------|----------|
| 5001     | 621037 | INTERIOR DOOR INT.F XXL DW40 ASSY    | 1        |          |          |
| 5001A    | 785608 | SCREW                                | 6        |          |          |
| 5001B    | 200617 | SCREW PT KB40X10 WN1442 RFS          | 9        |          |          |
| 5003     | 426743 | DOOR GASKET                          | 1        |          |          |
| 5004     | 700275 | SOAP DISPENSER                       | 1        |          |          |
| 5005     | 700559 | SOAP DISPENSER HOLDER DW COMBI AWECO | 2        |          |          |
| 5005A    | 200621 | SCREW PTK 40X14 WN1452 FZB T2        | 10       |          |          |

| Position | Ident  | Spare part description                   | Quantity | Validity | Extra ID |
|----------|--------|--|----------|----------|----------|
| 5006     | 709480 | HINGE RIGHT                              | 1        |          |          |
| 5007     | 709479 | HINGE LEFT                               | 1        |          |          |
| 5007A    | 700243 | SCREW M5X16-A2 TORX25 MKF                | 4.250    |          |          |
| 5008     | 813100 | BRACE                                    | 1        |          |          |
| 5008A    | 817866 | SCREW BRACE                              | 2        |          |          |
| 5009     | 588152 | DOOR LOCK                                | 1        |          |          |
| 5009A    | 570424 | SCREW PTK 40X13 WN5454                   | 4        |          |          |
| 5011     | 449948 | INTERIOR DOOR HARNESS HOLDER DW UL4 9005 | 1        |          |          |
| 5012     | 700409 | COVER                                    | 1        |          |          |
| 5013     | 700312 | HINGE SCREW                              | 2        |          |          |
| 5014     | 709327 | HINGE WASHER RIGHT                       | 1        |          |          |
| 5014     | 709328 | HINGE WASHER LEFT                        | 1        |          |          |
| 5015     | 587141 | NUT M4 FLANGE SELF-LOCKING               | 2        |          |          |
| 5018     | 587067 | STATUS LIGHT LONG BK UL4                 | 1        |          |          |
| 5031     | 450975 | DOOR FAN UL4 120V ASSY                   | 1        |          |          |
| 5032     | 445331 | AIR DUCT UL4                             | 1        |          |          |
| 5033     | 457591 | ADJUSTABLE PART-NOZZLE 5MM GAP           | 1        |          |          |
| 5034     | 700315 | COVER                                    | 1        |          |          |
| 5035     | 445248 | FAN LOCKING RING DW16 9500               | 1        |          |          |
| 5035A    | 453404 | GASKET FAN DW DW                         | 1        |          |          |
| 5039     | 705686 | AIR CHANNEL ADJUSTABLE FRAM              | 1        |          |          |
| 5039A    | 572804 | SCREW MRT-GF M5X8 COMB T20 FZB           | 2        |          |          |
| 5040     | 445250 | THERMOACTUATOR 8MM STROKE 110-240V UL4   | 1        |          |          |
| 6026     | 700318 | GASKET                                   | 1        |          |          |

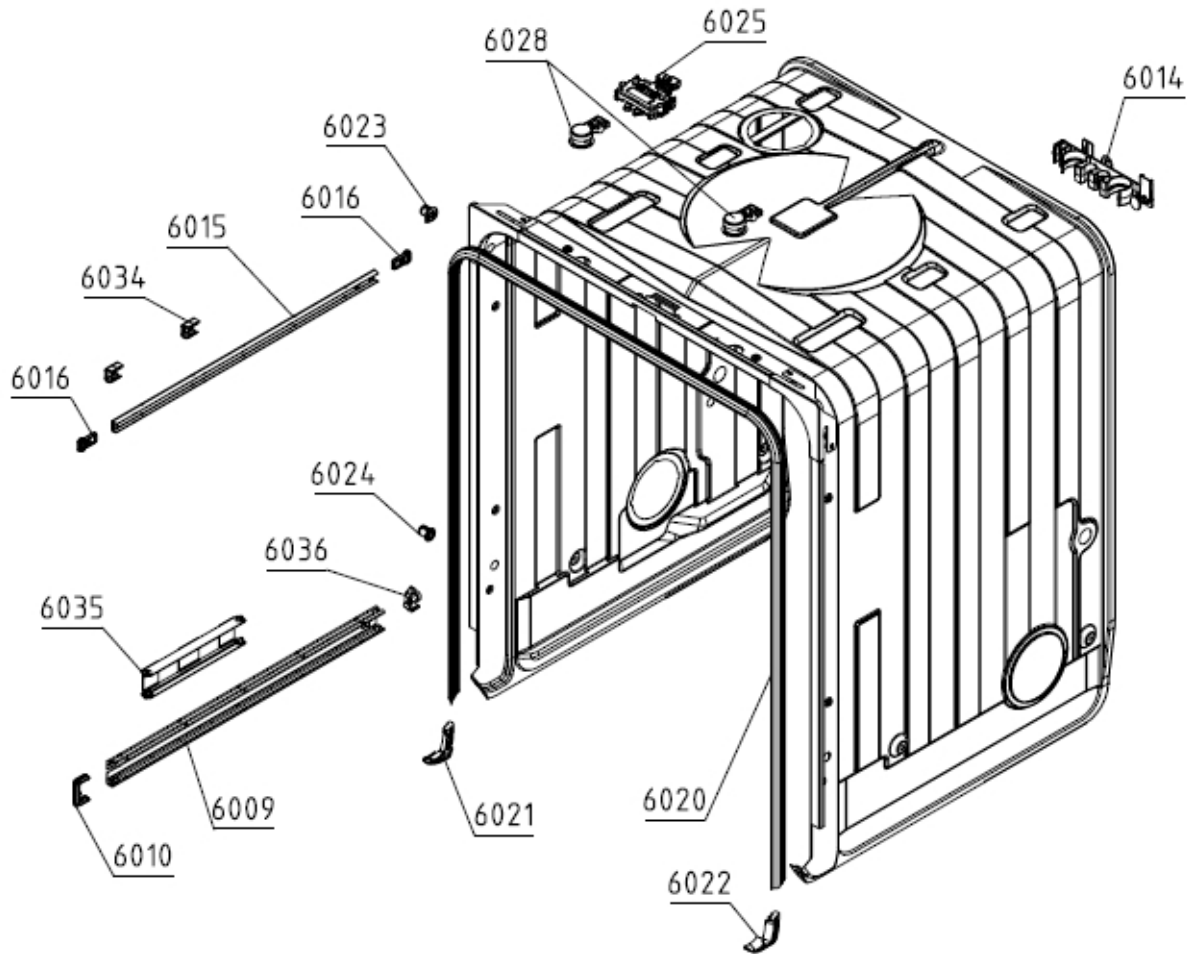
165660



| Position | Ident  | Spare part description | Quantity | Validity | Extra ID |
|----------|--------|------------------------|----------|----------|----------|
| 7003     | 818170 | USER INTERFACE DW40.2  | 1        |          |          |
| 7003A    | 683963 | ISOLATION FILM         | 1        |          |          |
| 7004     | 552917 | PUSH BUTTON            | 7        |          |          |
| 7005     | 831108 | PROTECTIVE FOIL        | 1        |          |          |
| 7011     | 707190 | SET TOP DISPLAY        | 1        |          |          |

| Position | Ident  | Spare part description       | Quantity | Validity | Extra ID |
|----------|--------|------------------------------|----------|----------|----------|
| 7013     | 707169 | EXTERIOR DOOR ASSY           | 1        |          |          |
| 7023     | 699066 | REINFORCEMENT OUTER DOOR TOP | 1        |          |          |
| 7024     | 707323 | SET GUIDE PUSH BUTTONS       | 1        |          |          |

166122



| Position | Ident  | Spare part description       | Quantity | Validity | Extra ID |
|----------|--------|------------------------------|----------|----------|----------|
| 6009     | 797102 | GUIDE                        | 2        |          |          |
| 6010     | 700430 | RAIL BLOCK                   | 2        |          |          |
| 6014     | 700274 | SUPPORT                      | 1        |          |          |
| 6015     | 476781 | UPPER BASKET GUIDE           | 2        |          |          |
| 6016     | 476783 | BASKET GUIDES STOPPER 5502-B | 4        |          |          |
| 6020     | 700309 | GASKET                       | 1        |          |          |
| 6021     | 700518 | GASKET                       | 1        |          |          |
| 6022     | 700519 | GASKET                       | 1        |          |          |

| Position | Ident  | Spare part description        | Quantity | Validity | Extra ID |
|----------|--------|-------------------------------|----------|----------|----------|
| 6023     | 440647 | GUIDE PLUG DW 9500            | 2        |          |          |
| 6024     | 640272 | INSTALLATION PLUG             | 2        |          |          |
| 6025     | 805101 | DOOR LATCH                    | 1        |          |          |
| 6028     | 587018 | LED LIGHT DW UL4              | 2        |          |          |
| 6028     | 825478 | LED LIGHT UL4                 | 2        |          |          |
| 6034     | 476782 | SLIDE GUIDE TOP BASKET 5502-B | 4        |          |          |
| 6035     | 428814 | SPACER                        | 1        |          |          |
| 6036     | 822321 | BASKET GUIDE STOPPER          | 2        |          |          |
| 9999     | 685940 | ATTACHMENT BAG                | 1        |          |          |

168001

SET KABELSKI  
WIRING HARNESS  
KABELBAUM  
CABLAGE ASSEMBLE

| Position | Ident  | Spare part description                  | Quantity | Validity | Extra ID |
|----------|--------|---|----------|----------|----------|
| 8001     | 837702 | WIRING HARNESS DOOR SWITCH              | 1        |          |          |
| 8002     | 509095 | WIRING HARNESS GCUX4-COMBINED DISPENSER | 1        |          |          |
| 8003     | 509096 | WIRING HARNESS GCUX5-RINSE AID          | 1        |          |          |
| 8004     | 509097 | WIRING HARNESS GCUX6-UI                 | 1        |          |          |
| 8008     | 509105 | WIRING HARN.GCUX8-FLOW,PRES.,TURB.NTC   | 1        |          |          |
| 8009     | 509118 | WIRING HARNESS GCUX10-INLET DRAIN FLOAT | 1        |          |          |
| 8010     | 509111 | WIRING HARNESS GCUX12-DIVERTER          | 1        |          |          |
| 8016     | 664114 | WIRING HARNESS GCUX9-LED LIGHT TOP      | 1        |          |          |
| 8016     | 810350 | WIRING HARNESS GCUX9-LED LIGHT TOP      | 1        |          |          |
| 8019     | 783604 | WIRING HARNESS GCUX3-FAN WAX            | 1        |          |          |
| 8025     | 783602 | WIRING HARNESS GCUX13-FAN               | 1        |          |          |