

# SPARE PARTS LIST

**Hisense** EUROPE

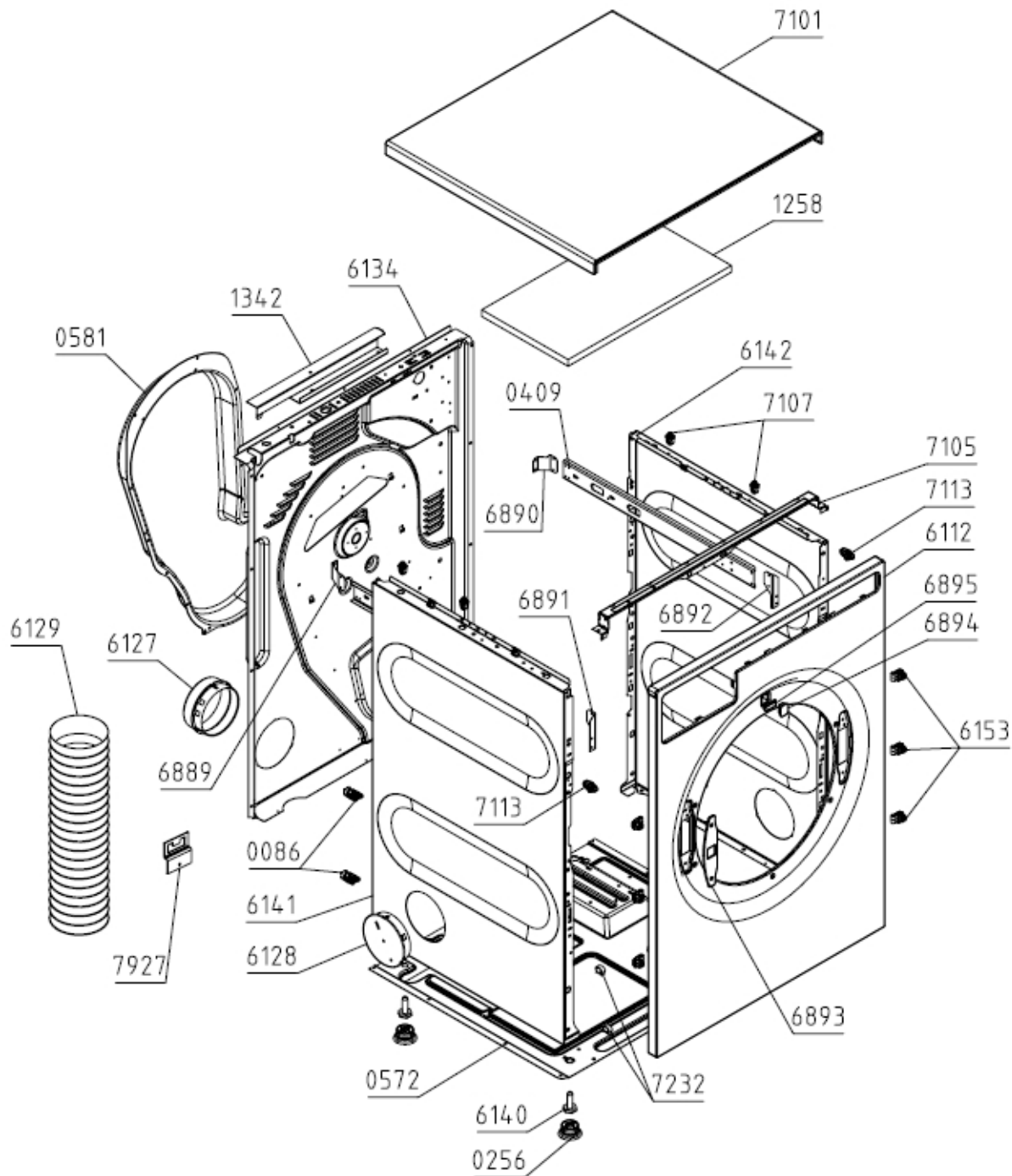
Date 13.09.2022

Time 23:54:06

Type TD75.B180  
Model T208V.W.U  
Art. No. 588175

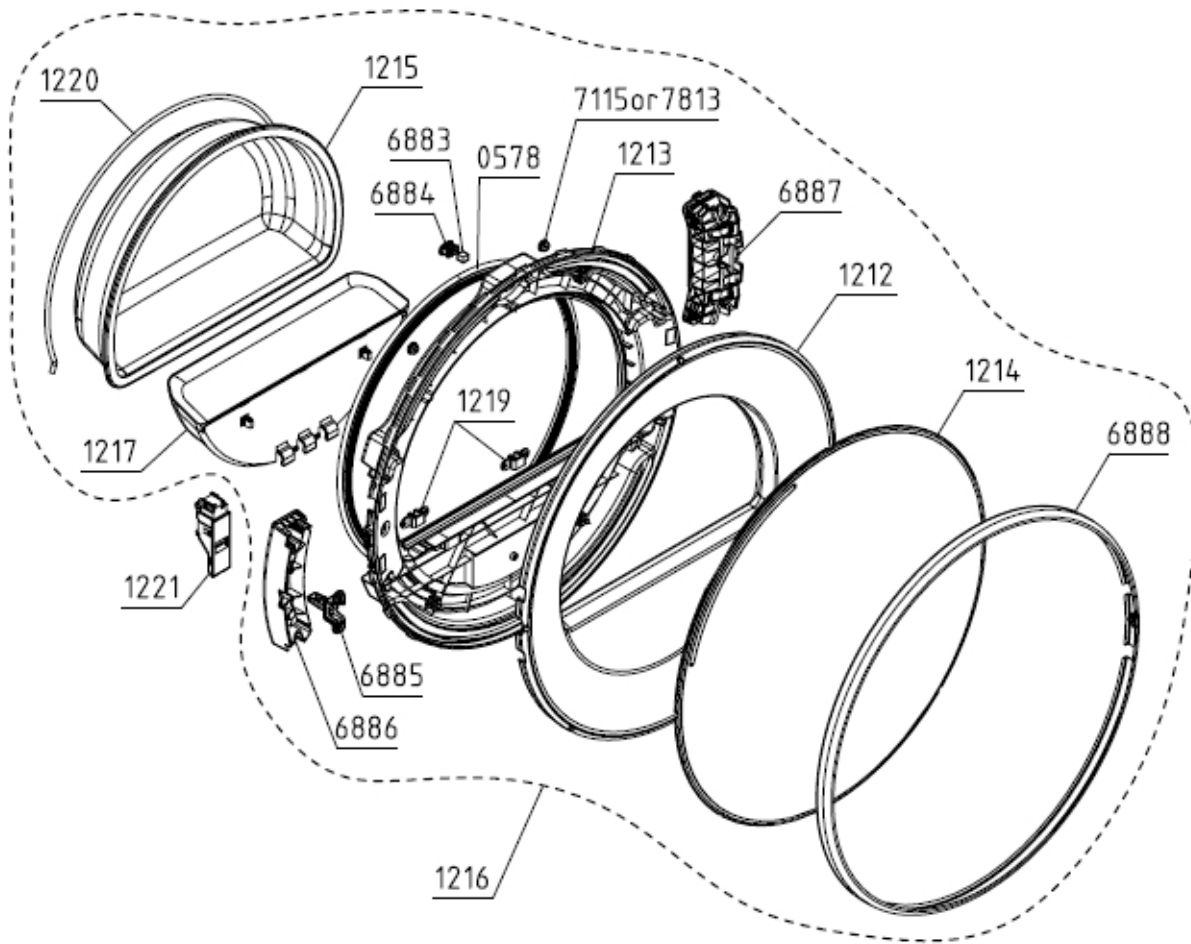
Brand name ASKO  
Version 07.06.2018  
Service index 02

## 021733

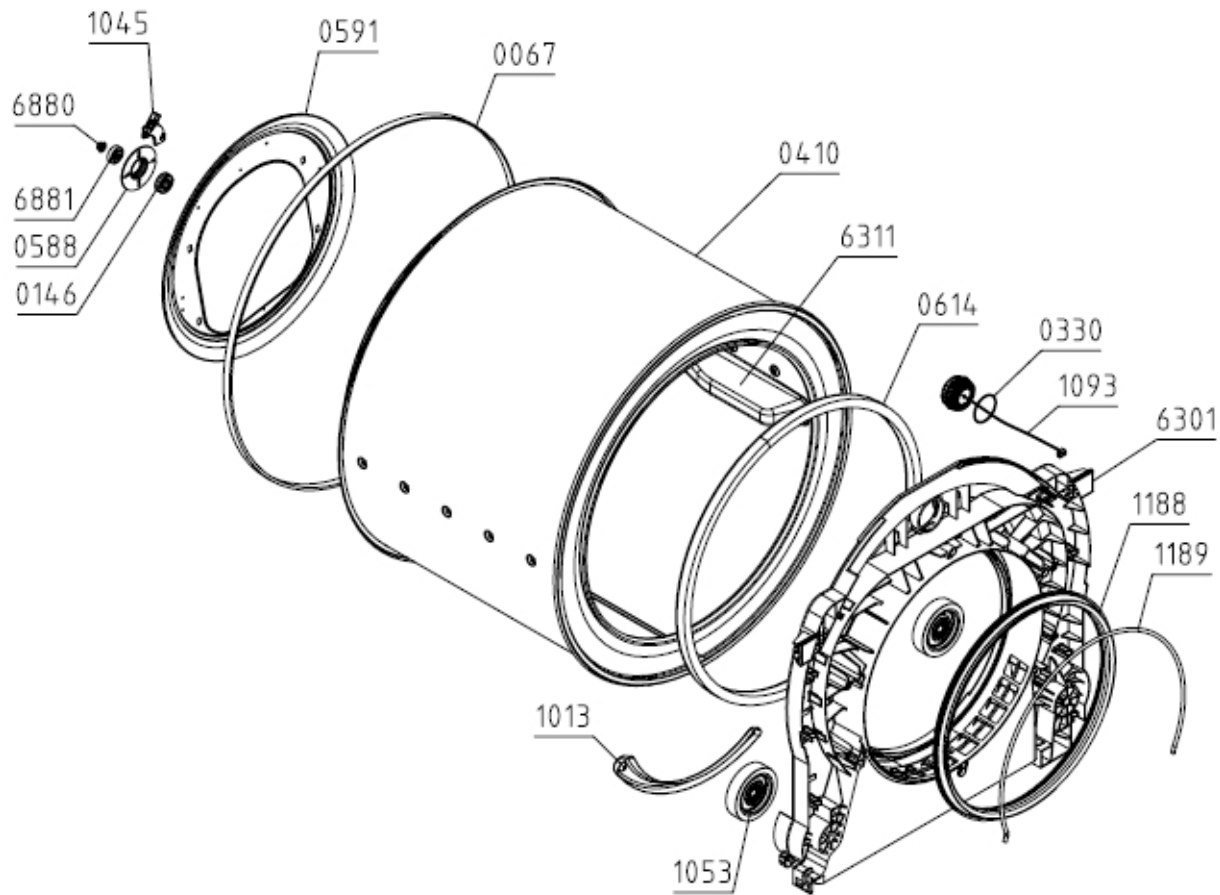


Position	Ident	Spare part description	Quantity	Validity	Extra ID
0086	547104	CLAMP PS	1		
0256	619601	FOOT ACCESSORY SP KPL AW012	2		
0409	290159	PROFILE SP/K	2		
0572	563326	BOTTOM SP/O WITH NUT TD-75 ASSY	1		
0581	115203	REAR PANEL COVER	1		
1258	680847	SOUND ISOLATION TOP TD-75/85	1		
6112	561899	FRONT PANEL 1B1 SP/O TD-75/85 LA070	1		
6127	414425	EVEHTING BELLOWS HOSE ACCESSORY UL4	1		
6128	428099	SIEVE COVER TD-70 LA070 UL4	2		
6129	246653	EXHAUST HOSE D102 L3000	1		
6134	557502	REAR PANEL SP/O TD-75/85	1		
6140	434964	FOOT TD-70/80 KPL	4		
6141	561888	PANEL B TD-75 LA070	1		
6142	561887	PANEL A TD-75 LA070	1		
6153	413850	PANEL HOLDER TD-70	6		
6889	557444	PROFILE HOLDER TD-75 RL	1		
6890	557450	PROFILE HOLDER TD-75 RR	1		
6891	557440	PROFILE HOLDER TD-75/85 FL	1		
6892	557441	PROFILE HOLDER TD-75/85 FR	1		
6893	556989	DOOR LOCK COVER TD-75/85 070	1		
6894	556162	DOOR SWITCH HOLDER TD-75/85	1		
6895	563066	MAGNETIC SWITCH ASSY TD-75/85	1		
7101	503175	COVER WMD-70 LA070	1		
7105	537856	COVERSUPPORT TD-75/85	1		
7107	413707	COVER HOLDER WMD-70	4		
7232	252089	CABLE HOLDER SMALL	1		
7927	450808	KIT TIP GUARD ASSY WMD-80	1		

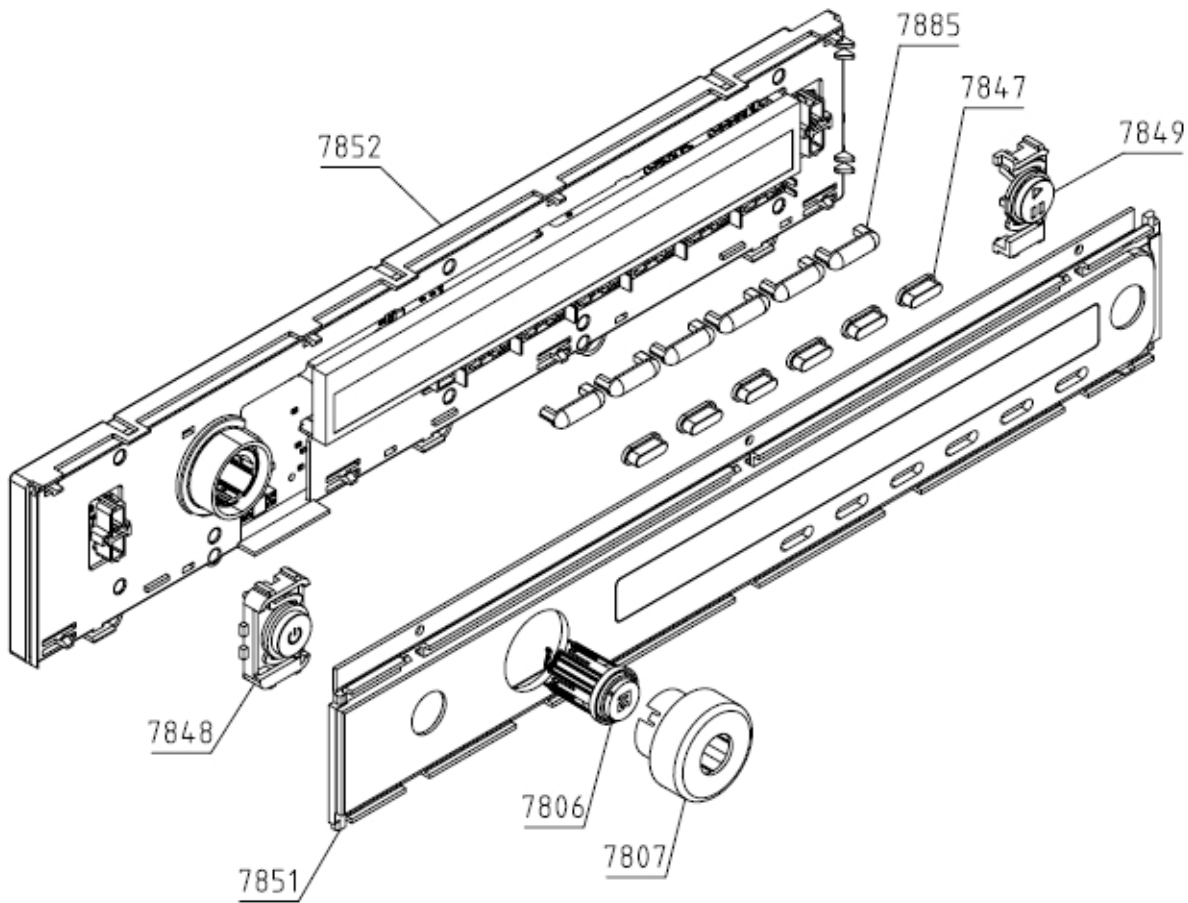
**022731**



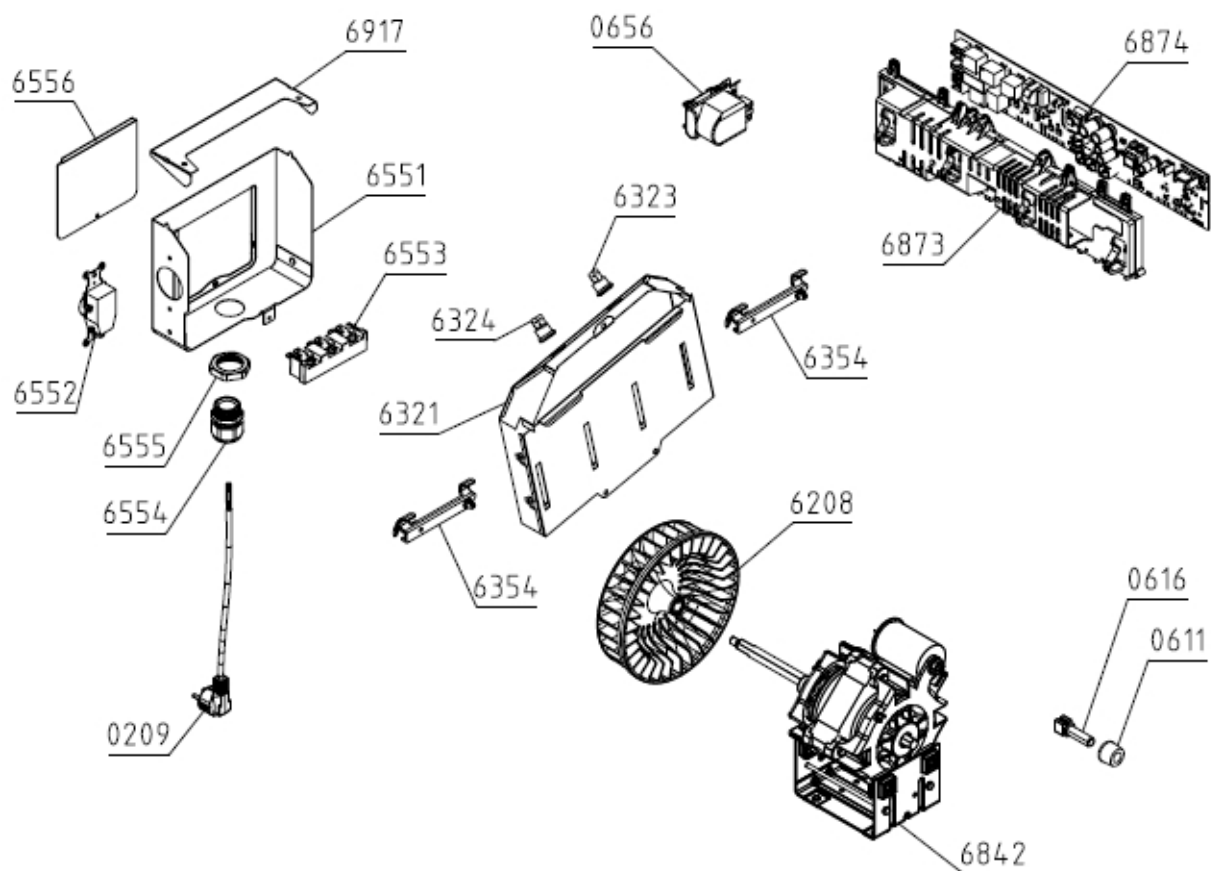
Position	Ident	Spare part description	Quantity	Validity	Extra ID
0578	594874	DOOR SEAL TD-75/85	1		
1212	623257	DOOR FRAME OUTER 070 TD-75.B SIGN	1		
1213	636572	DOOR FRAME INTERIOR TD-75/85	1		
1214	555919	DOOR COVER TD-75/85	1		
1215	500113	GLASS DOOR SP-15	1		
1216	623254	DOOR TD-75.B 070 ASSY	1		
1217	562854	FILTERING UNIT ASSY TD-75/85 070	1		
1219	500143	FILTER UNIT LATCH SP-15	2		
1220	518055	DOOR SEAL SP/P-15	1		
1221	561850	DOOR SWITCH TD-75/85 070	1		
6883	559064	DOOR SWITCH MAGNET TD-75/85	1		
6884	555942	DOOR SWITCH MAGNET HOLDER TD-75/85	1		
6885	555941	DOOR CATCH TD-75/85	1		
6886	555924	DOOR CATCH SEGMENT TD-75/85	1		
6887	563059	DOOR HINGE SEGMENT ASSY TD-75/85	1		
6888	555875	DOOR RING TD-75/85	1		
7813	536180	DOOR HINGE ABSORBER WM-75/85	4		



Position	Ident	Spare part description	Quantity	Validity	Extra ID
0067	828215	BELT WITH BRACKET ASSY	1		
0146	660207	BEARING SP 6001 2Z C3 170C	1		
0410	563712	DRUM TD-75 KPL	1		
0588	581147	BEARING HOUSING SP NG	1		
0591	468945	DRUM GASKET-REAR TEF.SP-14	1		
0614	366233	DRUM GASKET-FRONT SP-10	1		
1013	181018	ELECTRODE SP NG	1		
1045	561959	BRUSH GRAPHITE WITH SUPPORT TD-75/85	1		
1053	273637	SUPPORT WHEEL SP-09	2		
1188	429436	GASKET SP13	1		
1189	456149	GASKET SP-13	1		
6301	681030	AIR DIRECTER TD-75 KPL	1		
6311	563716	RIB TD-75/85	2		
6880	561468	NUT WITH TOOTHED FLANGE	1		
6881	559075	GRAPHITE BRUSH SLIDING RING TD-75/85	1		



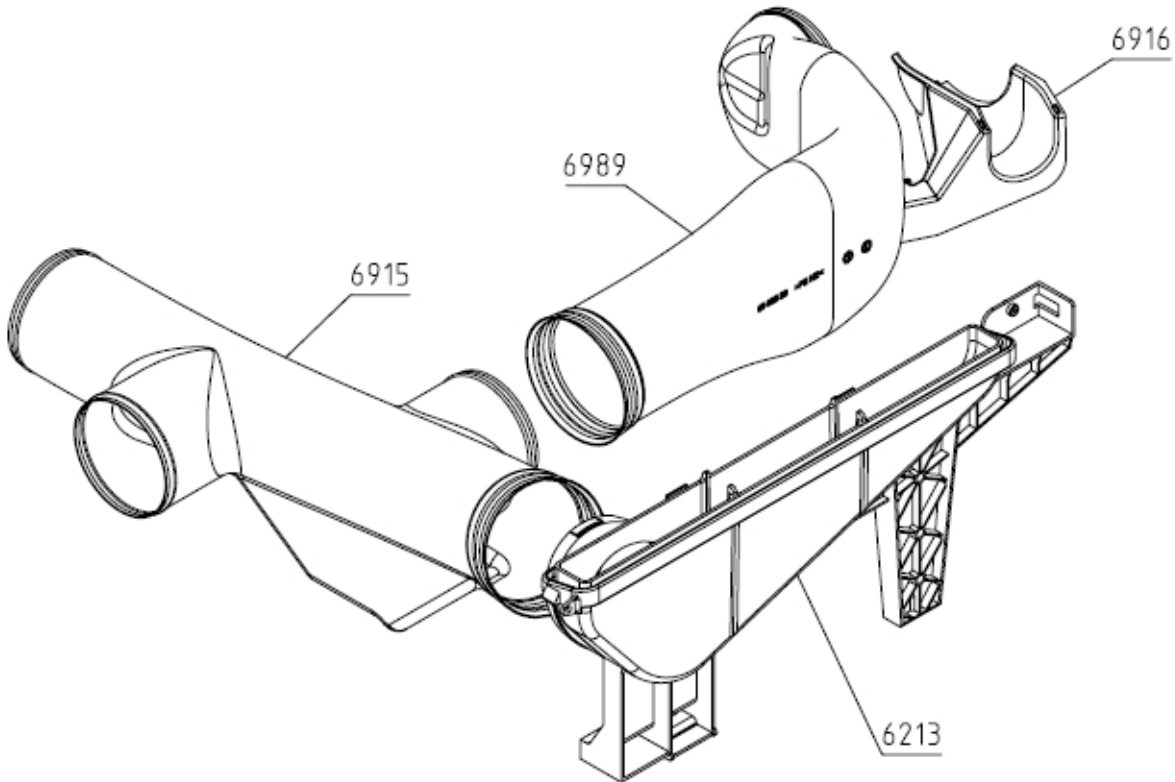
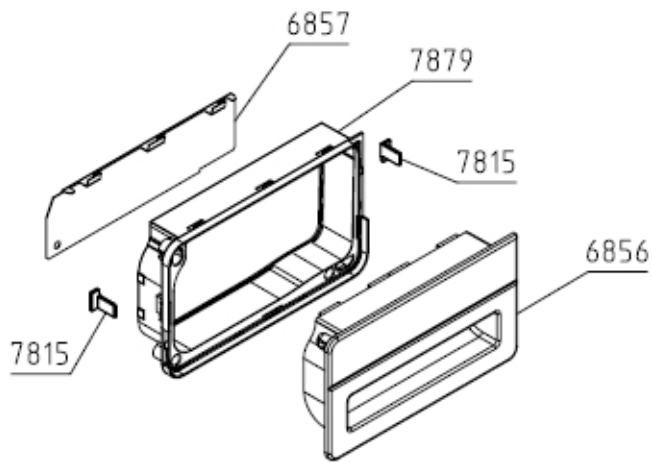
Position	Ident	Spare part description	Quantity	Validity	Extra ID
7806	561293	CONTROL KNOB INNER WMD-75.1B 070 UL4	1		
7807	561292	CONTROL KNOB WMD-75.1B 070 UL4	1		
7847	561294	FUNCTION KEY WMD-75.1B 070 UL4	6		
7848	561289	KEY-ON/OFF WMD-75.1B 070 UL4	1		
7849	561291	KEY-START/STOP WMD-75.1B 070 UL4	1		
7851	663690	CONTROL PANEL WMD-75.1B 070 S ASSY	1		
7852	575961	CONTROL UNIT TD-75/85.1B UL4	1		
7885	561264	FUNCTION KEY ABSORBER EPDM WMD-75/85	6		



Position	Ident	Spare part description	Quantity	Validity	Extra ID
0209	709444	CONNECTING CABLE AWG10/4 TD75/85 US/CA	1		
0611	581189	RUBBER SEAL NTC	1		
0616	658696	TEMPERATURE SENSOR	1		
0656	689192	RFI-FILTER ISKRA	1		
6208	465840	FAN PZ G TD-80 UL4	1		
6321	562796	HEATER 3000W 1F TD-75/85	1		
6323	350493	THERMOSTAT 110STC TD-70	1		
6324	371554	THERMOSTAT 135STC RR TD-70	1		
6354	414607	HEATER CABLE HOLDER TD-70	2		
6551	562937	HOUSING CONNECTION TD-75/85 US	1		
6552	345486	SOCKET 20A/240V 60HZ	1		
6553	345623	TERMINAL BLOCK EH-4 USA TD	1		
6554	346455	GROMMET 94793	1		
6555	184864	LOCK NUT PG21	1		
6556	503197	COVER CONNECTION TD-70 US	1		
6842	846927	MOTOR WITH BRACKET ASSY	1		
6873	561851	SUPPLY UNIT HOLDER TD/SP-15	1		

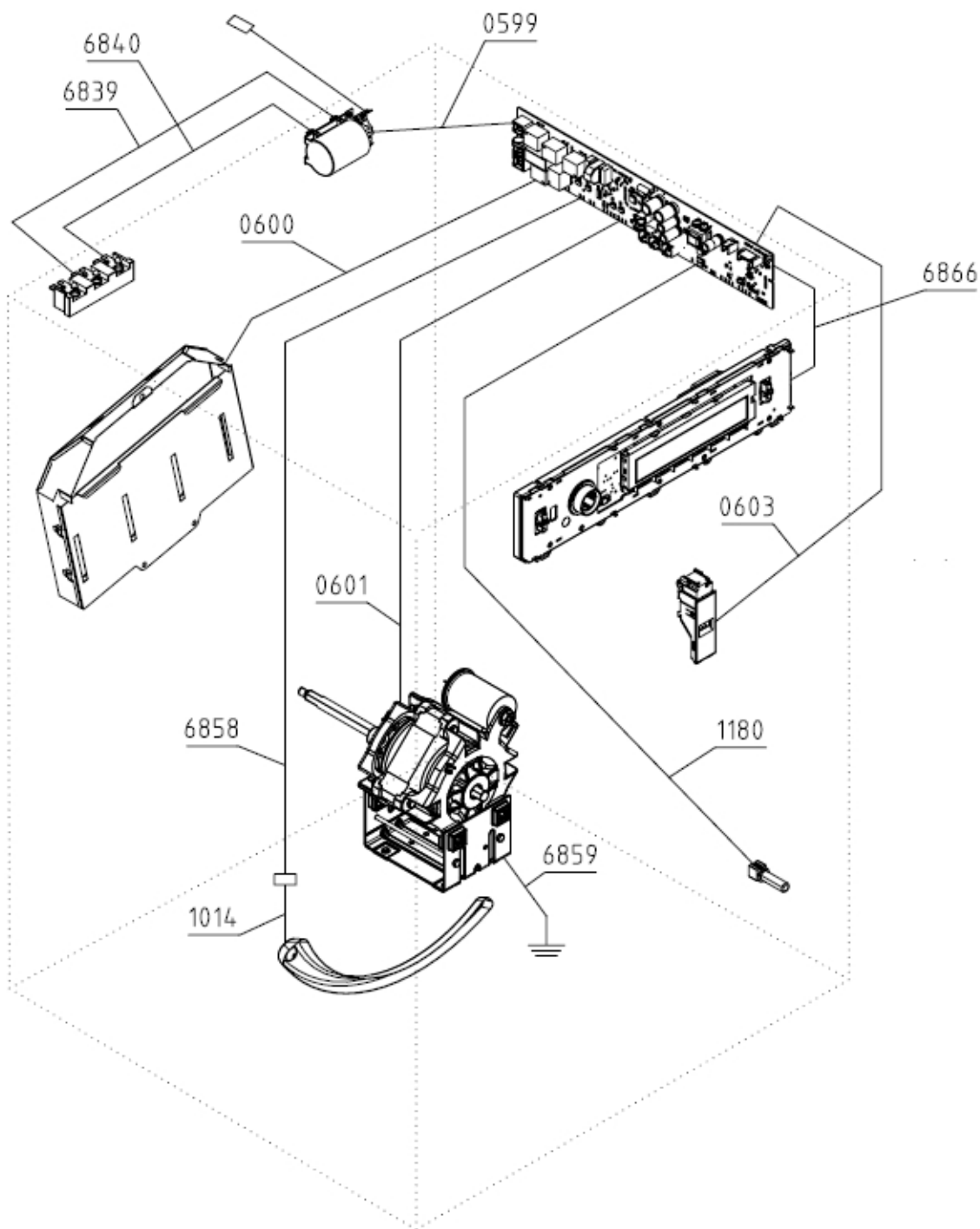
Position	Ident	Spare part description	Quantity	Validity	Extra ID
6874	588305	SUPPLY UNIT 8KG SP/O TD-75.1B H2 US	1		
6917	427962	GROMMET BOX COVER TD-80 UL	1		

026710



Position	Ident	Spare part description	Quantity	Validity	Extra ID
6213	559946	DUCT ATTACHMENT TD-75/85	1		
6856	571730	CONT.HANDLE SP/O ASSY SIGN TD-75.1B	1		
6857	565042	BLOCKING PLATE SP/O TD-75/85 LA070	1		
6915	557510	CONNECTION TUBE TD-75 UL4	1		
6916	431868	CONNECTION TUBE HOLDER TD-80 UL4	1		
6989	422794	CONNECTION TUBE D TD-70 UL4	1		
7815	629758	SEALING FRAME LOCK WMD-75/85	2		
7879	536176	SEALING FRAME WM-75/85	1		





Position	Ident	Spare part description	Quantity	Validity	Extra ID
0599	563949	WIRING HARNESS POWER SUPPLY TD-75 UL4	1		
0600	684262	WIRING HARNESS HEATER TD-75 US UL4	1		
0601	562227	WIRING HARNESS ELECTROMOTOR TD-75 UL4	1		
0603	562382	WIRING HARNESS DOOR SWITCH SP/O TD-75	1		
1014	591015	CONDUCTOR	1		
1180	717662	WIRING HARNESS - NTC R2,5 TD-75	1		

Position	Ident	Spare part description	Quantity	Validity	Extra ID
6839	590935	CONDUCTOR L12-F2 TD-75/85 US	1		
6840	590936	CONDUCTOR L22-F1 TD-75/85 US	1		
6858	562381	WIRING HARNESS HUMIDITY SENSOR SP/O	1		
6859	574366	WIRING HARNESS EM EARTHING TD-75	1		
6866	570964	WIRING HARNESS CONNECTION PB-UI TD-75	1		