

# SPARE PARTS LIST

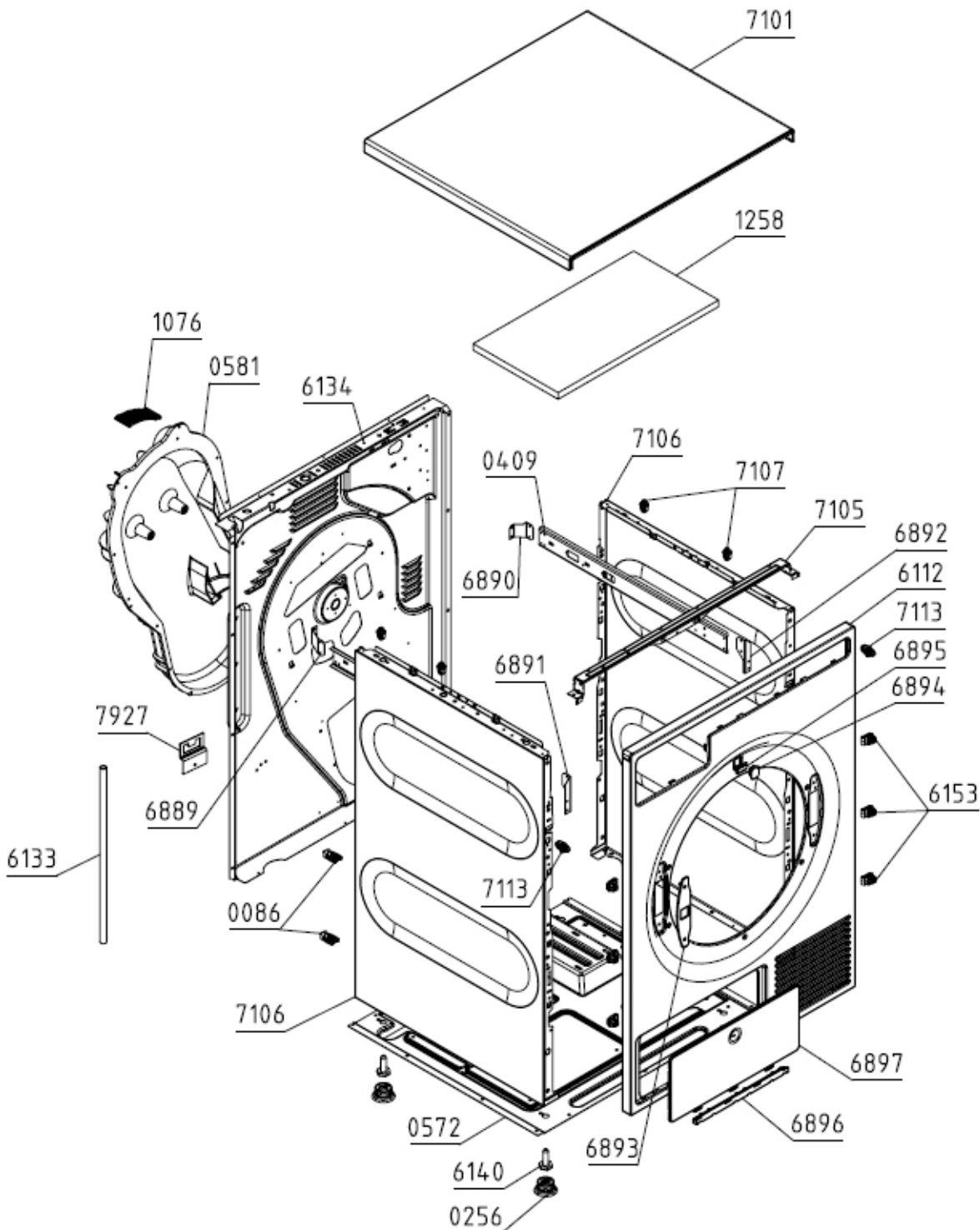
**Hisense** EUROPE

Date 13.09.2022  
Time 23:58:20

Type TD85.1315  
Model T411HS.W.U  
Art. No. 730244

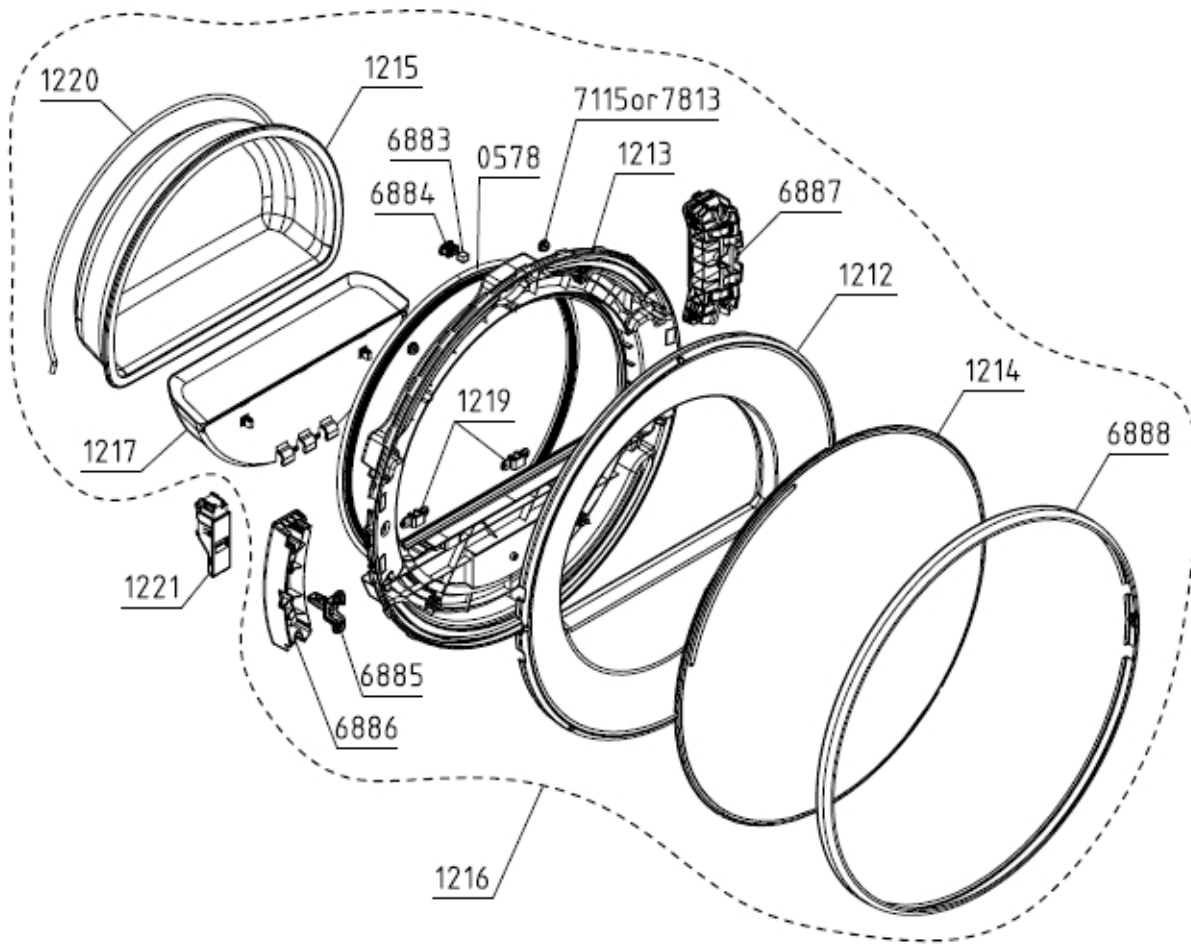
Brand name ASKO  
Version 26.01.2021  
Service index 05

021731

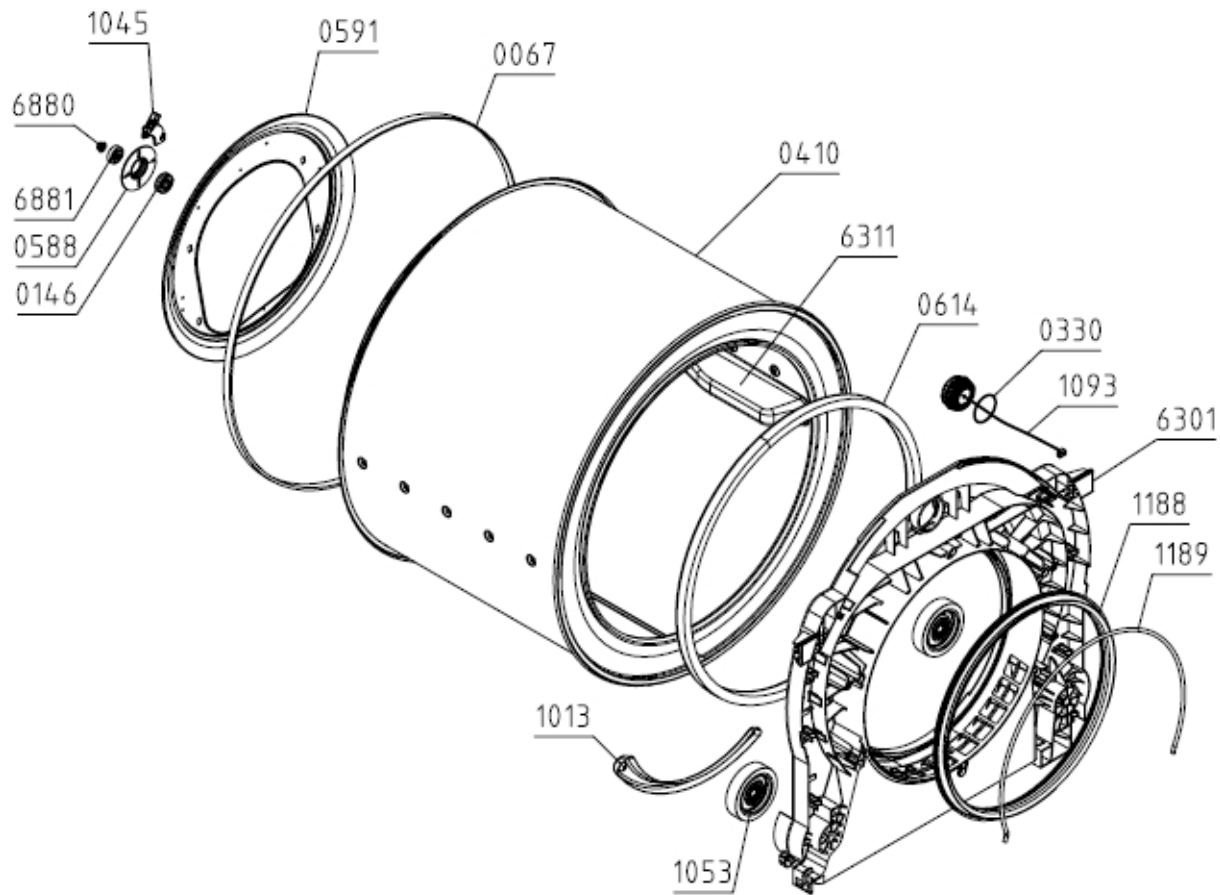


| Position | Ident  | Spare part description              | Quantity | Validity | Extra ID |
|----------|--------|-------------------------------------|----------|----------|----------|
| 0086     | 547104 | CLAMP PS                            | 2        |          |          |
| 0256     | 619601 | FOOT ACCESSORY SP KPL AW012         | 2        |          |          |
| 0409     | 557438 | REINFORCEMENT PROFILE TD-85         | 2        |          |          |
| 0581     | 603341 | REAR PANEL COVER WITH GASKET SP     | 1        |          |          |
| 1258     | 680847 | SOUND ISOLATION TOP TD-75/85        | 1        |          |          |
| 6112     | 561943 | FRONT PANEL TD-75/85 LA070          | 1        |          |          |
| 6133     | 828961 | HOSE 15X9X2000 PVC                  | 1        |          |          |
| 6134     | 557503 | REAR PANEL HP US TD-75/85           | 1        |          |          |
| 6140     | 434964 | FOOT TD-70/80 KPL                   | 4        |          |          |
| 6153     | 413850 | PANEL HOLDER TD-70                  | 6        |          |          |
| 6889     | 557444 | PROFILE HOLDER TD-75 RL             | 1        |          |          |
| 6890     | 557450 | PROFILE HOLDER TD-75 RR             | 1        |          |          |
| 6891     | 557440 | PROFILE HOLDER TD-75/85 FL          | 1        |          |          |
| 6892     | 557441 | PROFILE HOLDER TD-75/85 FR          | 1        |          |          |
| 6893     | 556989 | DOOR LOCK COVER TD-75/85 070        | 1        |          |          |
| 6894     | 556162 | DOOR SWITCH HOLDER TD-75/85         | 1        |          |          |
| 6895     | 563066 | MAGNETIC SWITCH ASSY TD-75/85       | 1        |          |          |
| 6896     | 556207 | CONDENSER DOOR COVER HINGE TD-75/85 | 1        |          |          |
| 6897     | 562086 | CONDENSER DOOR COVER ASSY TD-75/85  | 1        |          |          |
| 7101     | 408513 | COVER/WORKTOP WMD-80 LA070          | 1        |          |          |
| 7105     | 537856 | COVERSUPPORT TD-75/85               | 1        |          |          |
| 7106     | 408558 | CABINET SIDE PANEL WMD-80 LA070     | 2        |          |          |
| 7107     | 413707 | COVER HOLDER WMD-70                 | 2        |          |          |
| 7113     | 412257 | FRONT PANEL LATCH WM-70 UL4         | 2        |          |          |
| 7927     | 450808 | KIT TIP GUARD ASSY WMD-80           | 1        |          |          |

**022731**



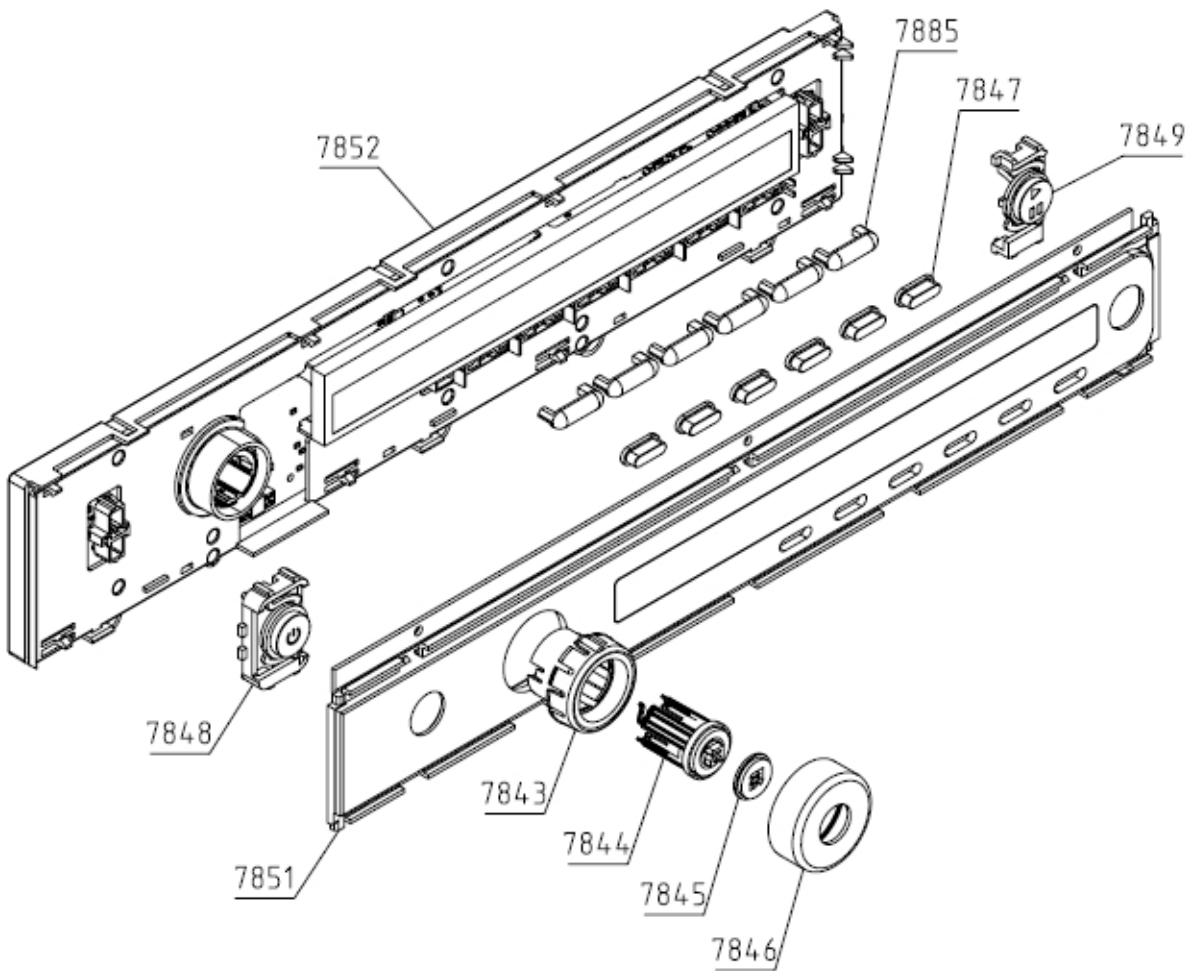
| Position | Ident  | Spare part description             | Quantity | Validity | Extra ID |
|----------|--------|------------------------------------|----------|----------|----------|
| 0578     | 594873 | DOOR SEAL SP-15                    | 1        |          |          |
| 1212     | 623257 | DOOR FRAME OUTER 070 TD-75.B SIGN  | 1        |          |          |
| 1213     | 636572 | DOOR FRAME INTERIOR TD-75/85       | 1        |          |          |
| 1214     | 555919 | DOOR COVER TD-75/85                | 1        |          |          |
| 1215     | 500113 | GLASS DOOR SP-15                   | 1        |          |          |
| 1216     | 623254 | DOOR TD-75.B 070 ASSY              | 1        |          |          |
| 1217     | 562854 | FILTERING UNIT ASSY TD-75/85 070   | 1        |          |          |
| 1219     | 500143 | FILTER UNIT LATCH SP-15            | 2        |          |          |
| 1220     | 518055 | DOOR SEAL SP/P-15                  | 1        |          |          |
| 1221     | 561850 | DOOR SWITCH TD-75/85 070           | 1        |          |          |
| 6883     | 559064 | DOOR SWITCH MAGNET TD-75/85        | 1        |          |          |
| 6884     | 555942 | DOOR SWITCH MAGNET HOLDER TD-75/85 | 1        |          |          |
| 6885     | 555941 | DOOR CATCH TD-75/85                | 1        |          |          |
| 6886     | 555924 | DOOR CATCH SEGMENT TD-75/85        | 1        |          |          |
| 6887     | 563059 | DOOR HINGE SEGMENT ASSY TD-75/85   | 1        |          |          |
| 6888     | 555875 | DOOR RING TD-75/85                 | 1        |          |          |
| 7813     | 536180 | DOOR HINGE ABSORBER WM-75/85       | 4        |          |          |



| Position | Ident  | Spare part description               | Quantity | Validity | Extra ID |
|----------|--------|--------------------------------------|----------|----------|----------|
| 0067     | 562079 | BELT POLY-V 9PH 1956 HUTCHINSON      | 1        |          |          |
| 0146     | 660207 | BEARING SP 6001 2Z C3 170C           | 1        |          |          |
| 0330     | 153299 | PROTECT CAP SEAL                     | 1        |          |          |
| 0410     | 824097 | DRUM TD-85 ZN/SS ASSY                | 1        |          |          |
| 0588     | 581147 | BEARING HOUSING SP NG                | 1        |          |          |
| 0591     | 468945 | DRUM GASKET-REAR TEF.SP-14           | 1        |          |          |
| 0614     | 366233 | DRUM GASKET-FRONT SP-10              | 1        |          |          |
| 1013     | 181018 | ELECTRODE SP NG                      | 1        |          |          |
| 1045     | 561959 | BRUSH GRAPHITE WITH SUPPORT TD-75/85 | 1        |          |          |
| 1053     | 273637 | SUPPORT WHEEL SP-09                  | 2        |          |          |
| 1093     | 816276 | LIGHTING LED CW TD-75/85-15 UL       | 1        |          |          |
| 1188     | 715438 | GASKET TD75/85                       | 1        |          |          |
| 1189     | 456149 | GASKET SP-13                         | 1        |          |          |
| 6301     | 681029 | AIR DIRECTER TD-75/85 KPL            | 1        |          |          |
| 6311     | 804997 | RIB TD-75/85-20                      | 2        |          |          |
| 6880     | 561468 | NUT WITH TOOTHED FLANGE              | 1        |          |          |

| Position | Ident  | Spare part description               | Quantity | Validity | Extra ID |
|----------|--------|--------------------------------------|----------|----------|----------|
| 6881     | 559075 | GRAPHITE BRUSH SLIDING RING TD-75/85 | 1        |          |          |

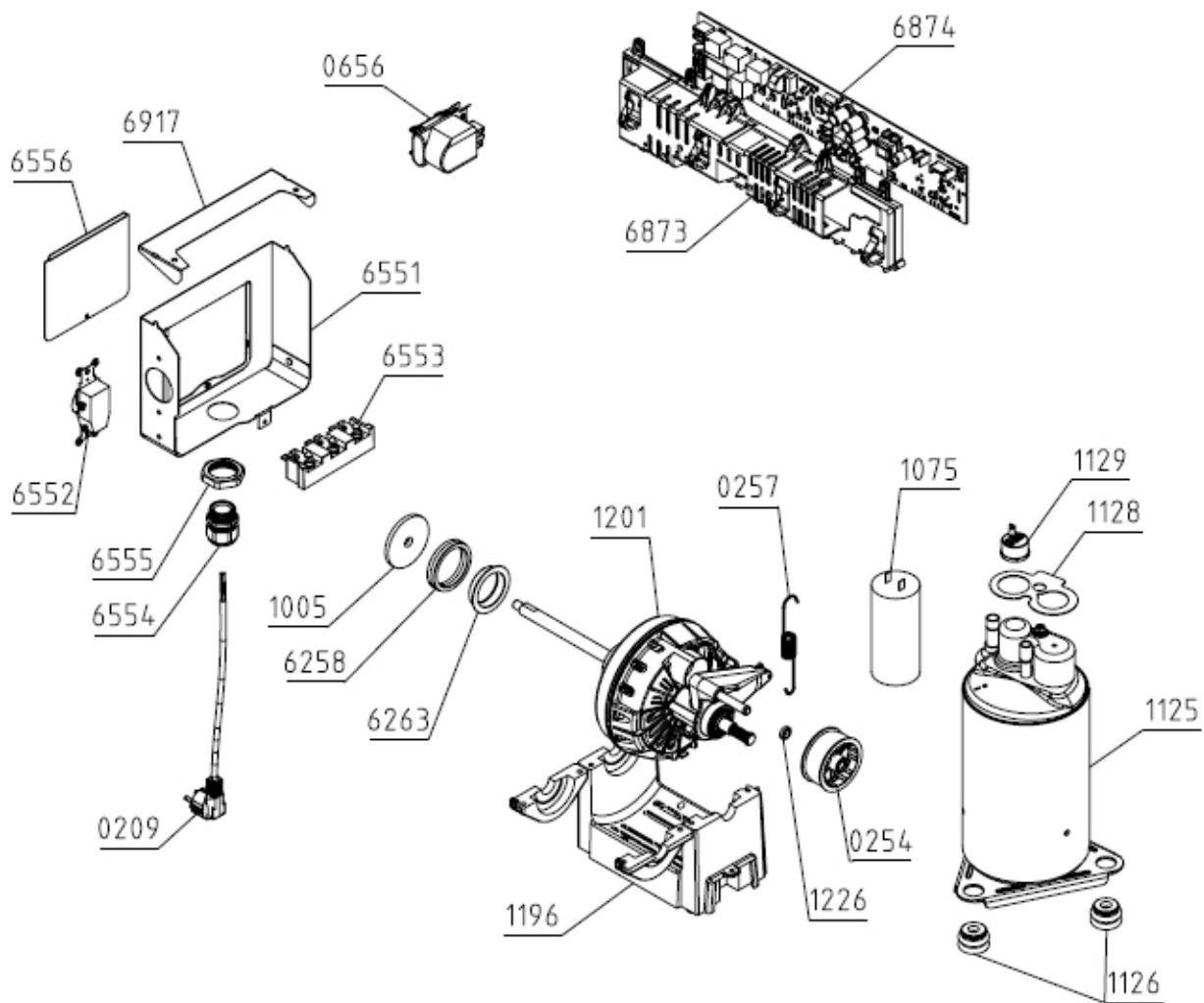
024730



| Position | Ident | Spare part description | Quantity | Validity | Extra ID |
|----------|-------|------------------------|----------|----------|----------|
|----------|-------|------------------------|----------|----------|----------|

| Position | Ident  | Spare part description                | Quantity | Validity | Extra ID |
|----------|--------|---------------------------------------|----------|----------|----------|
| 7843     | 562986 | CONTROL KNOB JOINT WMD-75/85          | 1        |          |          |
| 7844     | 562984 | CONTROL KNOB ILLUMINATION WMD-75/85.1 | 1        |          |          |
| 7845     | 562983 | INTERIOR CONTROL KNOB WMD-75/85       | 1        |          |          |
| 7846     | 562985 | CONTROL KNOB WMD-75/85.1              | 1        |          |          |
| 7847     | 562982 | FUNCTION KEY WMD-75/85                | 6        |          |          |
| 7848     | 623031 | ON/OFF KEY WMD-75/85 ASSY             | 1        |          |          |
| 7849     | 623032 | START/STOP KEY WMD-75/85 ASSY         | 1        |          |          |
| 7851     | 663722 | CONTROL PANEL WMD-75/85.1 S KPL       | 1        |          |          |
| 7852     | 575981 | CONTROL UNIT TD-75/85.1 UL4           | 1        |          |          |
| 7885     | 561264 | FUNCTION KEY ABSORBER EPDM WMD-75/85  | 6        |          |          |

025740

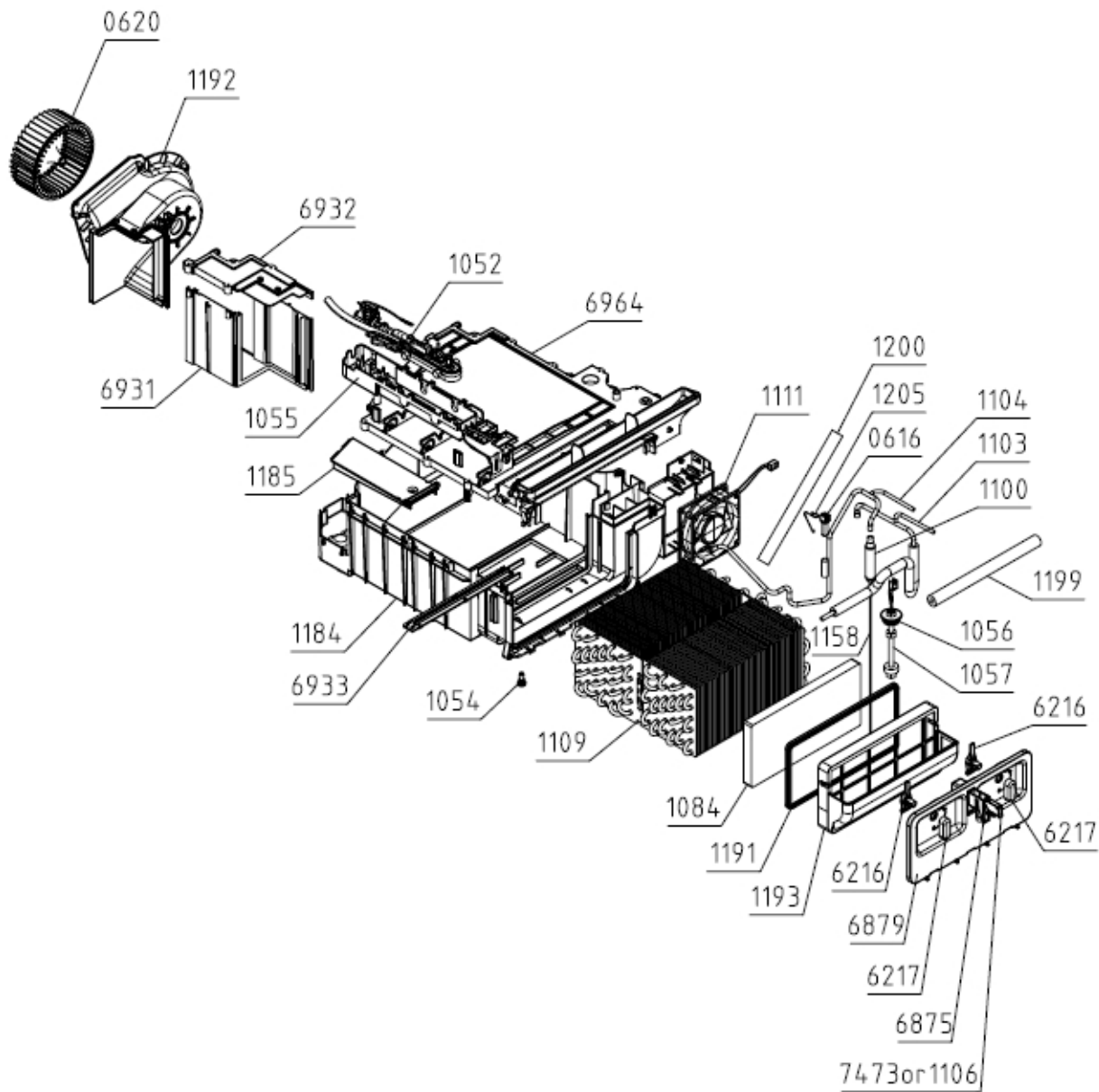


| Position | Ident  | Spare part description                  | Quantity | Validity | Extra ID |
|----------|--------|---|----------|----------|----------|
| 0209     | 709444 | CONNECTING CABLE AWG10/4 TD75/85 US/CA  | 1        |          |          |
| 0254     | 265558 | BELT PULLEY SP/K-09 HIPLEX              | 1        |          |          |
| 0257     | 576149 | SPRING SP-16                            | 1        |          |          |
| 0656     | 689192 | RFI-FILTER ISKRA                        | 1        |          |          |
| 1075     | 460715 | POWER CAPACITOR 25UF P2 DUCATI          | 1        |          |          |
| 1125     | 411479 | COMPRESSOR LG EKS094 60HZ SP/K-A-12     | 1        |          |          |
| 1126     | 403909 | SHOCK ABSORBER COMPRESSOR SP/K-A-12     | 3        |          |          |
| 1128     | 403910 | CONNECTION BOX COVER GASKET SP/K        | 1        |          |          |
| 1129     | 439718 | OVERLOAD PROTECTION SP/K-A-12B100       | 1        |          |          |
| 1196     | 431869 | HOLDER MOTOR TD-80 UL4                  | 1        |          |          |
| 1201     | 607557 | ELECTROMOTOR BPM TA0203 ASKOLL TD-75/85 | 1        |          |          |
| 1226     | 561491 | SPACER BUSH D12/D8,2X3                  | 1        |          |          |
| 6258     | 716323 | BEARING SHOCK ABSORBER                  | 2        |          |          |
| 6263     | 413848 | SLIDE BEARING TD-70                     | 1        |          |          |
| 6551     | 562937 | HOUSING CONNECTION TD-75/85 US          | 1        |          |          |
| 6552     | 345486 | SOCKET 20A/240V 60HZ                    | 1        |          |          |
| 6553     | 345623 | TERMINAL BLOCK EH-4 USA TD              | 1        |          |          |

| Position | Ident  | Spare part description             | Quantity | Validity | Extra ID |
|----------|--------|------------------------------------|----------|----------|----------|
| 6554     | 346455 | GROMMET 94793                      | 1        |          |          |
| 6555     | 184864 | LOCK NUT PG21                      | 1        |          |          |
| 6556     | 503197 | COVER CONNECTION TD-70 US          | 1        |          |          |
| 6873     | 561851 | SUPPLY UNIT HOLDER TD/SP-15        | 1        |          |          |
| 6874     | 689693 | SUPPLY UNIT 11KG TC3 GP TD-85.1 US | 1        |          |          |
| 6917     | 427962 | GROMMET BOX COVER TD-80 UL         | 1        |          |          |

**026192**

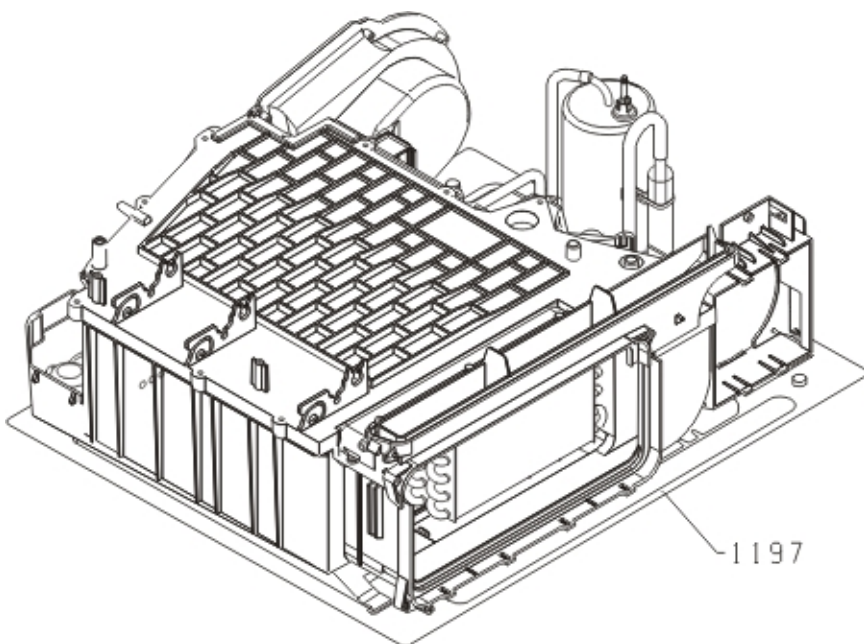




| Position | Ident  | Spare part description          | Quantity | Validity | Extra ID |
|----------|--------|---------------------------------|----------|----------|----------|
| 0616     | 672505 | TEMPERATURE SENSOR NTC R2,5 TDK | 1        |          |          |
| 0620     | 464719 | FAN PZ SP13 UL4                 | 1        |          |          |
| 1052     | 608014 | GENERATOR STEAM TD-75/85        | 1        |          |          |
| 1054     | 273640 | VESSEL PLUG GP-09               | 1        |          |          |
| 1055     | 327116 | SUPPORT GP SP-10                | 1        |          |          |
| 1056     | 273639 | INITIATION SLEEVE GP-09         | 1        |          |          |
| 1057     | 432861 | SWITCH GP SP/K-A-13 KPL         | 1        |          |          |
| 1084     | 810183 | FOAM FILTER SP13 IFT            | 1        |          |          |
| 1100     | 366354 | SYSTEM FILTER SP-10             | 1        |          |          |
| 1103     | 429431 | RETURN TUBE SP13                | 1        |          |          |
| 1104     | 493266 | PRESSURE TUBE SP-14 ROG         | 1        |          |          |
| 1106     | 806872 | COVER DOOR LATCH SP-19          | 1        |          |          |
| 1109     | 451676 | HEAT EXCHANGER SP-13-1          | 1        |          |          |

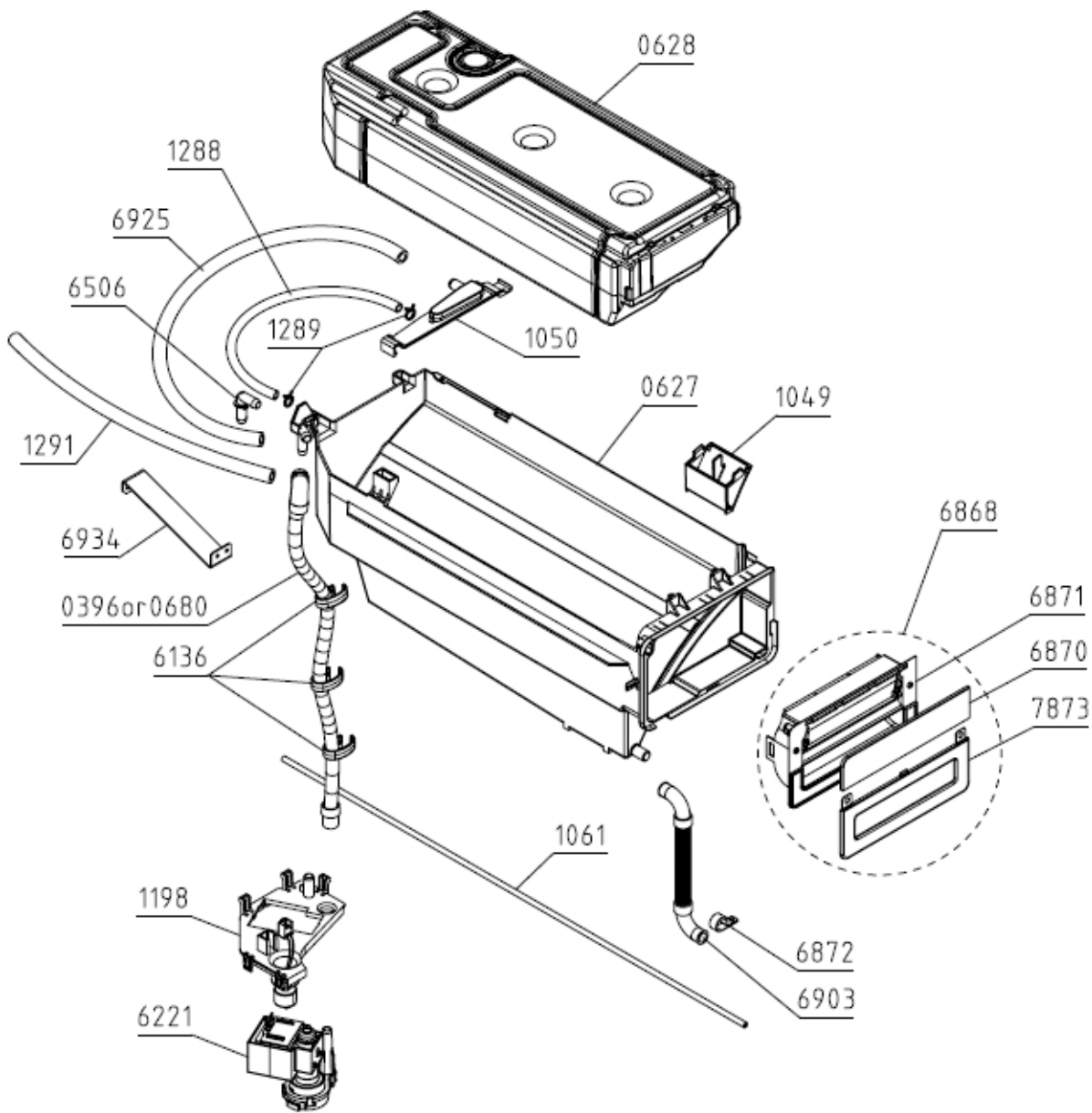
| Position | Ident  | Spare part description               | Quantity | Validity | Extra ID |
|----------|--------|--------------------------------------|----------|----------|----------|
| 1111     | 347432 | AXIAL FAN SP/K-A-10                  | 1        |          |          |
| 1158     | 391370 | CAPILLARY TUBE SP/K-A                | 1        |          |          |
| 1184     | 681675 | HOUSING TC GP SP13 UL4               | 1        |          |          |
| 1185     | 429454 | COVER INTERMEDIARY TC SP13           | 1        |          |          |
| 1191     | 429415 | GASKET SP13                          | 1        |          |          |
| 1192     | 617297 | FAN HOUSING SP13                     | 1        |          |          |
| 1193     | 457167 | HOUSING FILTER 586C KPL              | 1        |          |          |
| 1199     | 429433 | INSULATING TUBE SP13                 | 1        |          |          |
| 1200     | 338415 | INSULATING TUBE L40 75A              | 1        |          |          |
| 1205     | 470811 | SPRING NTC                           | 1        |          |          |
| 6216     | 413718 | HANDLE INDOOR CONDENSER              | 2        |          |          |
| 6217     | 791892 | HANDLE EXTERNAL CONDENSER 586C       | 2        |          |          |
| 6875     | 556250 | DOOR LATCH HOLDER TD-75/85           | 1        |          |          |
| 6879     | 825961 | HOUSING DOOR HP WITH GASKET TC TD-20 | 1        |          |          |
| 6931     | 454144 | INTERMEDIARY CHANNEL TD-80 HP        | 1        |          |          |
| 6932     | 454145 | INTERMEDIARY CHANNEL COVER TD-80HP   | 1        |          |          |
| 6964     | 681690 | HOUSING COVER TC GP SP13 UL4         | 1        |          |          |

**026199**



| Position | Ident  | Spare part description                   | Quantity | Validity | Extra ID |
|----------|--------|--|----------|----------|----------|
| 1197     | 716489 | SYS.BOTTOM TCGP A+++ 60HZ UL TD-85ASSY S | 1        |          |          |

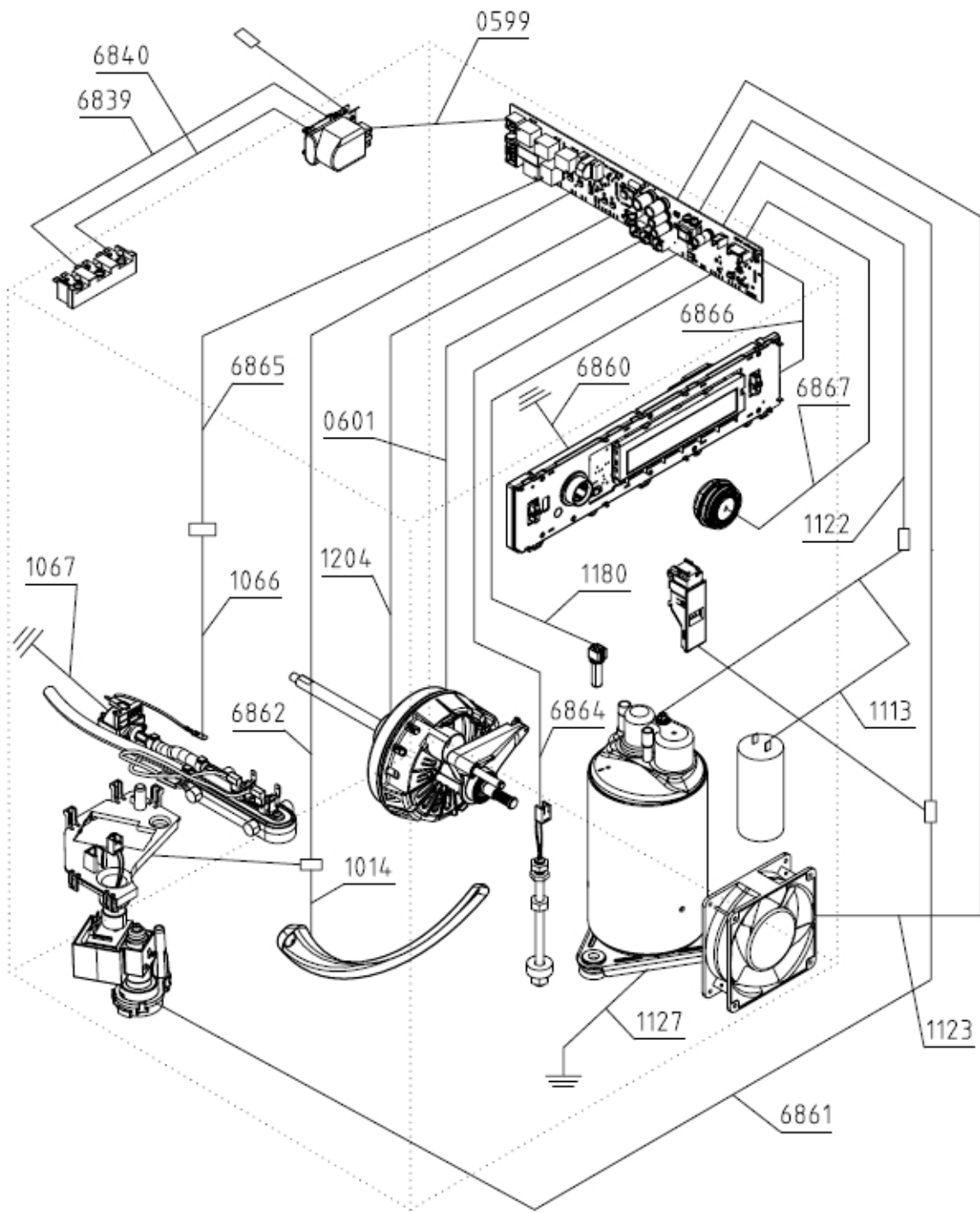
026728



| Position | Ident  | Spare part description           | Quantity | Validity | Extra ID |
|----------|--------|----------------------------------|----------|----------|----------|
| 0396     | 712108 | DISCHARGE HOSE TC GP TD-85       | 1        |          |          |
| 0627     | 672720 | VESSEL HOUSING GP TD-85          | 1        |          |          |
| 0628     | 557381 | VESSEL TD-75/85                  | 1        |          |          |
| 1049     | 273893 | VESSEL HOUSING FILTER SP/K-09    | 1        |          |          |
| 1050     | 273658 | VESSEL HOUSING ACCESSORY SP/K-09 | 1        |          |          |
| 1061     | 432004 | HOSE PUMP SUPPLY GP SP/K-A-13    | 1        |          |          |
| 1198     | 564070 | FLOATER SP/K-A TD-75 KPL         | 1        |          |          |
| 1288     | 688098 | HOSE 4X7 L158                    | 1        |          |          |
| 1289     | 706452 | CLAMP D7                         | 2        |          |          |
| 1291     | 696886 | HOSE 15X9X160 PVC                | 1        |          |          |
| 6136     | 413849 | HOSE HOLDER TD-70                | 3        |          |          |
| 6221     | 471322 | PUMP KPS25-400 60HZ TC TD-80-13  | 1        |          |          |

| Position | Ident  | Spare part description                   | Quantity | Validity | Extra ID |
|----------|--------|--|----------|----------|----------|
| 6506     | 414531 | SUPPLY HOSE ATTACHMENT                   | 1        |          |          |
| 6868     | 689694 | CONDENSER CONT.HANDLE HP TD-85.1 5 KPL   | 1        |          |          |
| 6870     | 689695 | DECOR.CONT.HAND.COVER HP TD-85.1 SIGN    | 1        |          |          |
| 6871     | 562857 | CONDEN.CONT.HANDLE TD-75/85 070          | 1        |          |          |
| 6872     | 569333 | OVERFLOW HOSE CLAMP TD-75/85             | 1        |          |          |
| 6903     | 564279 | HOSE TD-75                               | 1        |          |          |
| 6925     | 472304 | HOSE 15X9X500 PVC                        | 1        |          |          |
| 6934     | 562939 | CONDENSATE CONTAINER HOUSING HOLDER      | 1        |          |          |
| 7873     | 562842 | SOAP DISP.HANDLE COVER WMD-75/85.1 LA070 | 1        |          |          |

**028115**



| Position | Ident  | Spare part description                 | Quantity | Validity | Extra ID |
|----------|--------|--|----------|----------|----------|
| 0599     | 570536 | WIRING HARNESS POWER SUPPLY HP TD-85.C | 1        |          |          |
| 0601     | 572439 | WIRING HARNESS ELECTROMOTOR BPM TD-85  | 1        |          |          |
| 1014     | 591015 | CONDUCTOR                              | 1        |          |          |
| 1066     | 274356 | WIRING HARNESS GENERATOR GP-09         | 1        |          |          |
| 1067     | 274357 | WIRING HARNESS GROUNDING GP-09         | 1        |          |          |
| 1113     | 334662 | WIRING HARNESS COMPRESSOR AUX.         | 1        |          |          |
| 1122     | 570537 | WIRING HARNESS COMPRESSOR TD-85        | 1        |          |          |
| 1123     | 570572 | WIRING HARNESS FAN TD-85               | 1        |          |          |

| Position | Ident  | Spare part description                   | Quantity | Validity | Extra ID |
|----------|--------|--|----------|----------|----------|
| 1127     | 572469 | GROUNDING COMPRESSOR GP TD-85            | 1        |          |          |
| 1180     | 717664 | WIRING HARNESS NTC R2,5 HP TD-85         | 1        |          |          |
| 1204     | 572440 | WIRING HARNESS COMMUNICATION BPM TD-85   | 1        |          |          |
| 6839     | 590935 | CONDUCTOR L12-F2 TD-75/85 US             | 1        |          |          |
| 6840     | 590936 | CONDUCTOR L22-F1 TD-75/85 US             | 1        |          |          |
| 6861     | 570538 | WIRING HAR.PUMP/DOOR SWITCH SP/K-A TD-85 | 1        |          |          |
| 6862     | 570571 | WIRING HAR.HUMID.SENSOR/FLOAT HP TD-85   | 1        |          |          |
| 6864     | 572471 | WIRING HARNESS FLOAT HP GP TD-85         | 1        |          |          |
| 6865     | 572472 | WIRING HAR.HEATER/PUMP HP GP TD-85       | 1        |          |          |
| 6866     | 570658 | WIRING HARNESS CONNECTION PB-UI TD-85    | 1        |          |          |
| 6867     | 571566 | WIRING HARNESS DRUM LIGHTING TD-85       | 1        |          |          |