

SPARE PARTS LIST

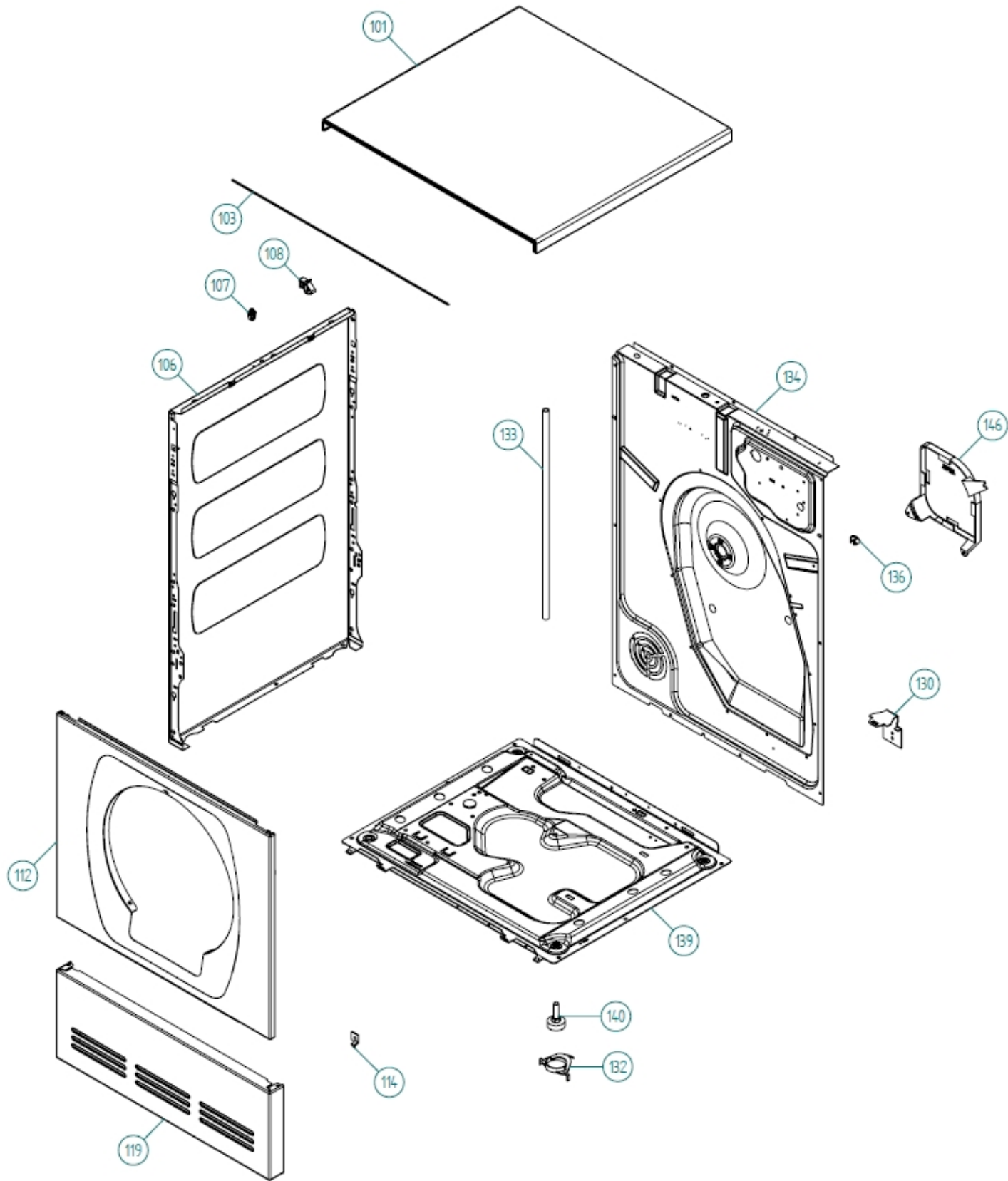
Hisense EUROPE

Date 13.04.2023

Time 16:39:23

Type	TD25.3	Brand name	ASKO
Model	T712C US -white	Version	14.06.2013
Art. No.	340739	Service index	01

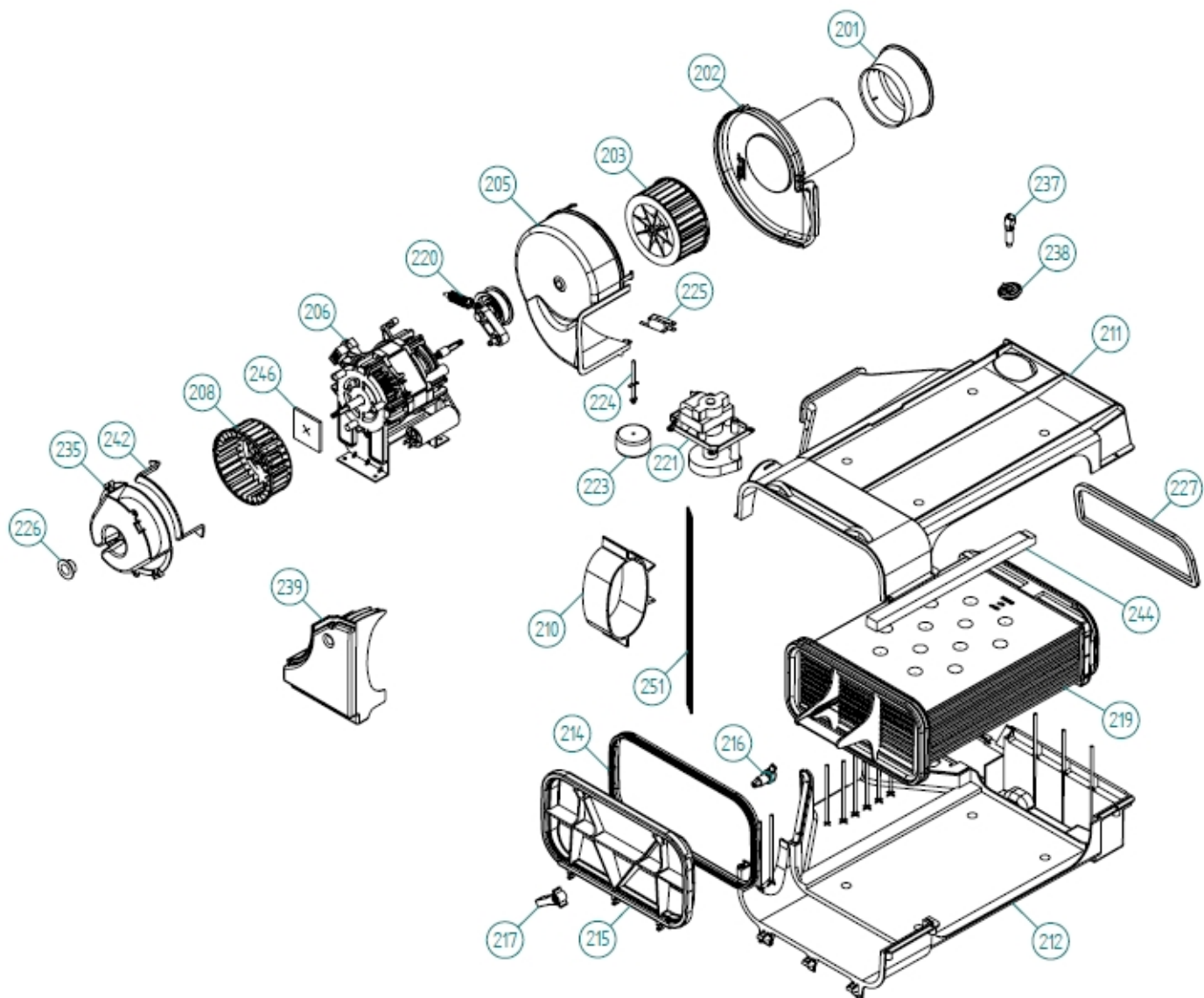
751352



Position	Ident	Spare part description	Quantity	Validity	Extra ID
101	503175	COVER WMD-70 LA070	1		
101-a	408582	SCREW RTR ST4,2X9,5 FZB T20	3		8902362

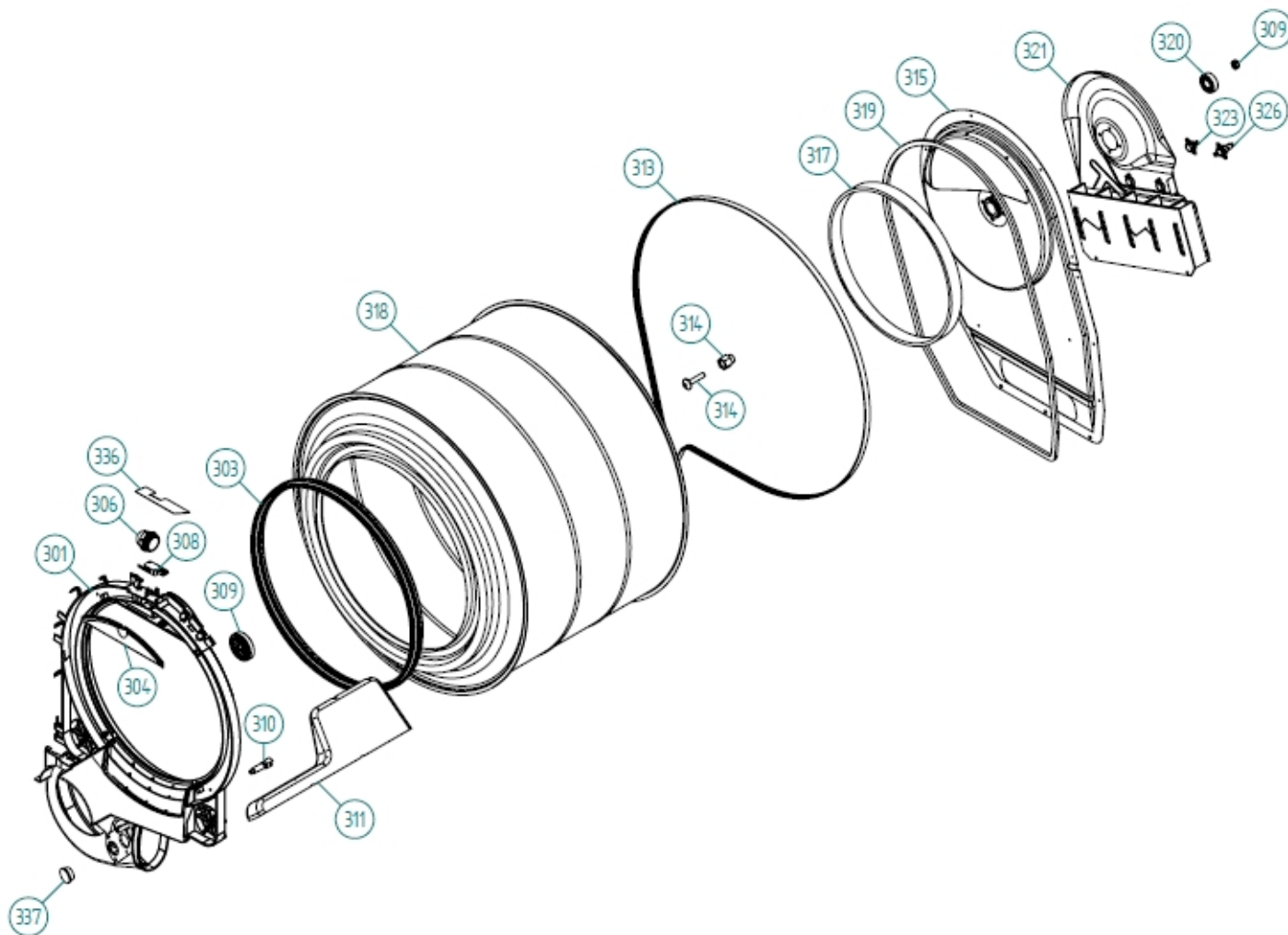
Position	Ident	Spare part description	Quantity	Validity	Extra ID
101-b	104720	LOCK WASHER AZ 4,3 GALV	2		8901413
103	246933	STRIP TOP COVER WMD20 UL4	1		8064062
106	441834	SIDE PLATE COMPL. WM20	2		
107	413707	COVER HOLDER WMD-70	2		
108	413814	WIRING HARNESS HOLDER WMD-70 UL4	2		8061916
112	236180	FRONT PLATE TD20 WHITE	1		8061847-0
112-a	408582	SCREW RTR ST4,2X9,5 FZB T20	2		8902362
112-b	104720	LOCK WASHER AZ 4,3 GALV	2		8901413
114	245228	HOOK LOWER PANEL UL4	2		8064177
114-a	408582	SCREW RTR ST4,2X9,5 FZB T20	2		8902362
119	441951	LOWER COVER COMPL.W.CLIPS TD20	1		
130	503189	ACCESSORY WMD	2		8053980
132	413845	FOOT ATTACHMENT TD-70	1		8064114
133	412078	HOSE 9X13X2000 UL4	1		8054733
134	436032	BACK PANEL OUTER TD-25	1		
134-a	408582	SCREW RTR ST4,2X9,5 FZB T20	10		8902362
136	250699	CABLE HOLDER TD20	1		8061915
139	503180	BOTTOM WM-70	1		
140	499533	ADJUSTABLE FOOT PS-10 ASSY	4		8059334
146	268005	NOISE SHIELD TD60	1	After 07.2008	8080456
146-b	408582	SCREW RTR ST4,2X9,5 FZB T20	1	After 07.2008	8902362

752352



Position	Ident	Spare part description	Quantity	Validity	Extra ID
201	243480	STUB AIRCANAL EXTERNAL AIR UL	1		8061940
202	243339	EXT.AIRFANCASING INLETSIDE UL	1		8052637
203	469391	FAN DIA.108	1		8061960
205	243342	MOTOR COVER	1	After 03.2007	8052636
205	268161	EXT.AIRFANCASING MOTORSIDE UL	1	After 10.2006 Before 02.2007	8080833
206	441995	MOTOR COMPL. 60HZ TD20	1		
206-a	248201	SCREW MRT-TT 5X12 FZB T20	4		8901969
206-a	267659	CAPACITOR	1		8080119
206-b	267659	CAPACITOR	1		8080119
206-c	251779	CAPACITOR 4UF 400V	1		8054640

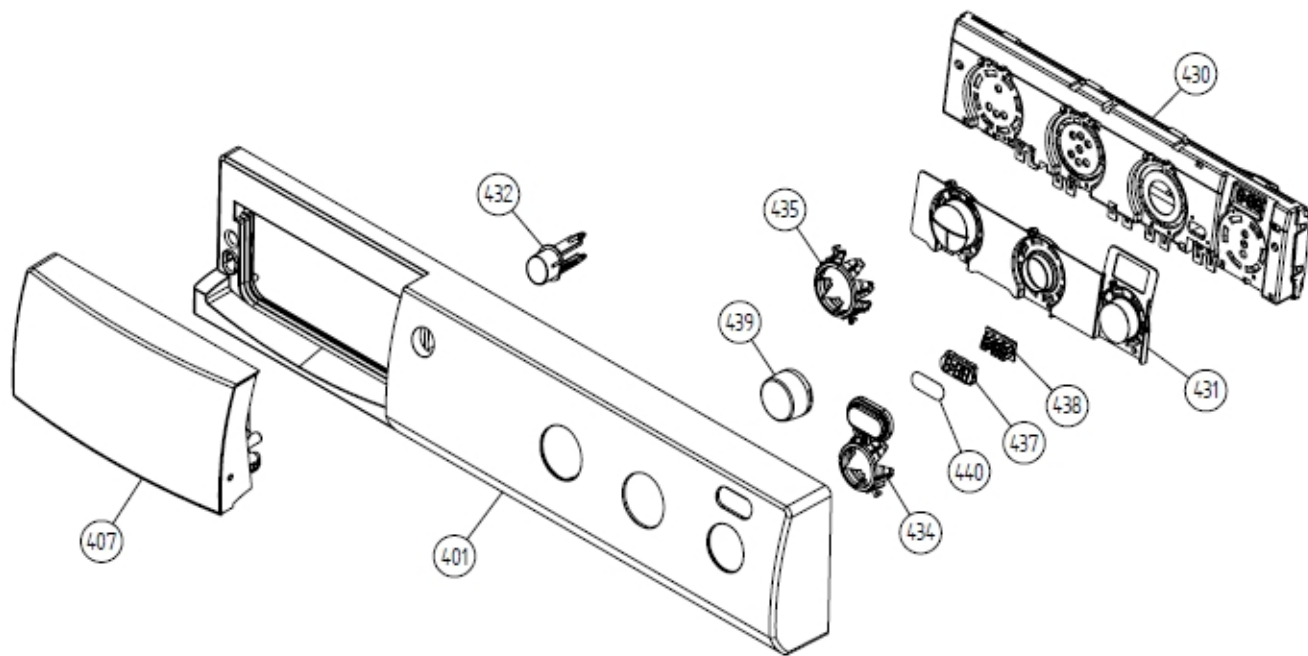
Position	Ident	Spare part description	Quantity	Validity	Extra ID
208	474356	FAN PROPELLER INT.TD	1		
208-a	247929	PROTECTING NUT 6 BH8 GALV	1		8901192
210	245623	AIR HOSE	1	Before 08.2006	8058671
211	267574	CONDENSER HOUSE UPPER /2 UL4	1	After 08.2006 Before 12.2009	8080061
211	235527	HOUSING FOR CONDENSE WATER VESSEL UPPER	1	Before 08.2006	8077412
211	269915	CONDENSER HOUSE UPPER UL	1	After 12.2009	8087750
211	200621	SCREW PTK 40X14 WN1452 FZB T2	7	Before 08.2006	8902087
211-a	200621	SCREW PTK 40X14 WN1452 FZB T2	7		8902087
212	441950	KIT CONDENSOR HOUSE COMPL.	1		8052575
212	267565	CONDENSER HOUSE LOWER /2 UL	1	After 08.2006	8080060
212	441950	KIT CONDENSOR HOUSE COMPL.	1		
212-a	200621	SCREW PTK 40X14 WN1452 FZB T2	3		8902087
214	247487	CONDENSER SEAL,DOOR	1		8052644
215	455421	CONDENSER DOOR TD ASSY	1		8053112
216	489289	LOCK HANDLE TD ASSY	2		8052606
217	489289	LOCK HANDLE TD ASSY	2		
217-a	247993	SCREW PTK 50X14 WN1452 FZB T2	2		8902099
219	243519	CONDENSER ASS	1		8063752
220	444333	TENSION ARM W.BALL BEARING ASSY	1		
221	229369	CONDENSATE PUMP ASSY	1	Before 12.2009	8801194
221	442028	COND. WATERPUMP COMPL. 60HZ	1	After 12.2009	
221-a	200621	SCREW PTK 40X14 WN1452 FZB T2	3		8902087
223	242211	FLOAT	1		8053056
224	244283	FLOAT PIN	1		8053098
225	235528	MICROSWITCH FLOAT TD25	1		8076103
226	244924	PLUG FAN HOUSE TD20	1		8061949
227	474784	SEALING TAPE 6X9X550	1		
235	226758	FAN CASING LID UL4	1		8076330-0
235-a	247989	SCREW PTK 35X10 WN1452 FZB T1	2		8902042
237	269227	TEMPERATURE SENSOR TD	1		8083344
238	235531	GROMMET THERMISTOR	1		8076365
239	235538	COVER FOR FAN HOUSING	1		8077102-49
239-a	247989	SCREW PTK 35X10 WN1452 FZB T1	2		8902042
242	247489	SEALING COVER FAN HOUSE	1		8064184
244	247498	SEALING STRIP CONDENSER ASSY	2		8063905
246	161769	GASKET SP-05	1		8058323
251	266835	SEALING STRIP PUSH FIT	1	After 08.2006	8079494



Position	Ident	Spare part description	Quantity	Validity	Extra ID
301	441979	FRONT FRAME COMPL. TD20/21/25	1	Before 07.2005	
301	445971	AIR DIRECTER TD25 ASSY	1	After 08.2006	8801310
301-a	347726	SCREW C1-PTK 35X14 WN1453	4		8901971
303	247254	GASKET	1		8061821
304	245162	LAMP HOUSING LID GREY UL4	1		8061932-49
306	251864	LAMP CHIMNEY	1		8065303
308	235484	DOOR SWITCH TD	1		8076104
309	381491	SUPPORT WHEEL TD-70	2		8093182
309-a	247943	WASHER BRB 8,4X16 HB 200 GALV	2		8901337
309-b	310712	NUT M8-6-A3F	2		8901193
309-c	273736	SCREW M6S 8.8 M8X25 FZB	2		8901028

Position	Ident	Spare part description	Quantity	Validity	Extra ID
310	269227	TEMPERATURE SENSOR TD	1		8083344
311	503191	RIB TD-80	2		
311-a	247993	SCREW PTK 50X14 WN1452 FZB T2	5		8902099
313	270851	BELT	1		8088503
313	441973	DRIVEBELT AND SPRING	1		
313	442030	TENSION ARM W. BELT AND SPRING	1		8801490
314	244031	BEARING BUSH	1		8052632
314-a	548814	SCREW M8X40 A4 ISO 7380B	1		8901130
315	436029	BACK PANEL INNER TD-25	1		8076335
317	572729	DRUM GASKET BACK TD-70/16	1		8094481
318	103500	CYLINDER COMPL. TD	1	After 04.2006 Before 08.2006	8079449
318	445979	DRUM TD-60 ASSY	1	After 08.2006	8079493
318	445979	DRUM TD-60 ASSY	1	Before 04.2006	8079493
319	401759	SEALING TAPE 9X4X1800	1		8094235
320	247808	BEARING SKF 6202-2Z/C3Q66	1		8004439
321	235486	HEATING ELEMENT 2500W TD25	1		8076226
321-a	244042	SCREW RTS 4,8X13 FZB T25	2		8900369
321-b	700473	LOCK WASHER AZ 5,3 GALV	2		
323	235500	THERMOSTAT 135C TD	1		8079200
326	350492	THERMOSTAT 150C UL	1		8079737
336	255915	GUARD, DOOR SWITCH	1		8064187
337	235502	THERMISTOR HOLE PLUG	2		8076705

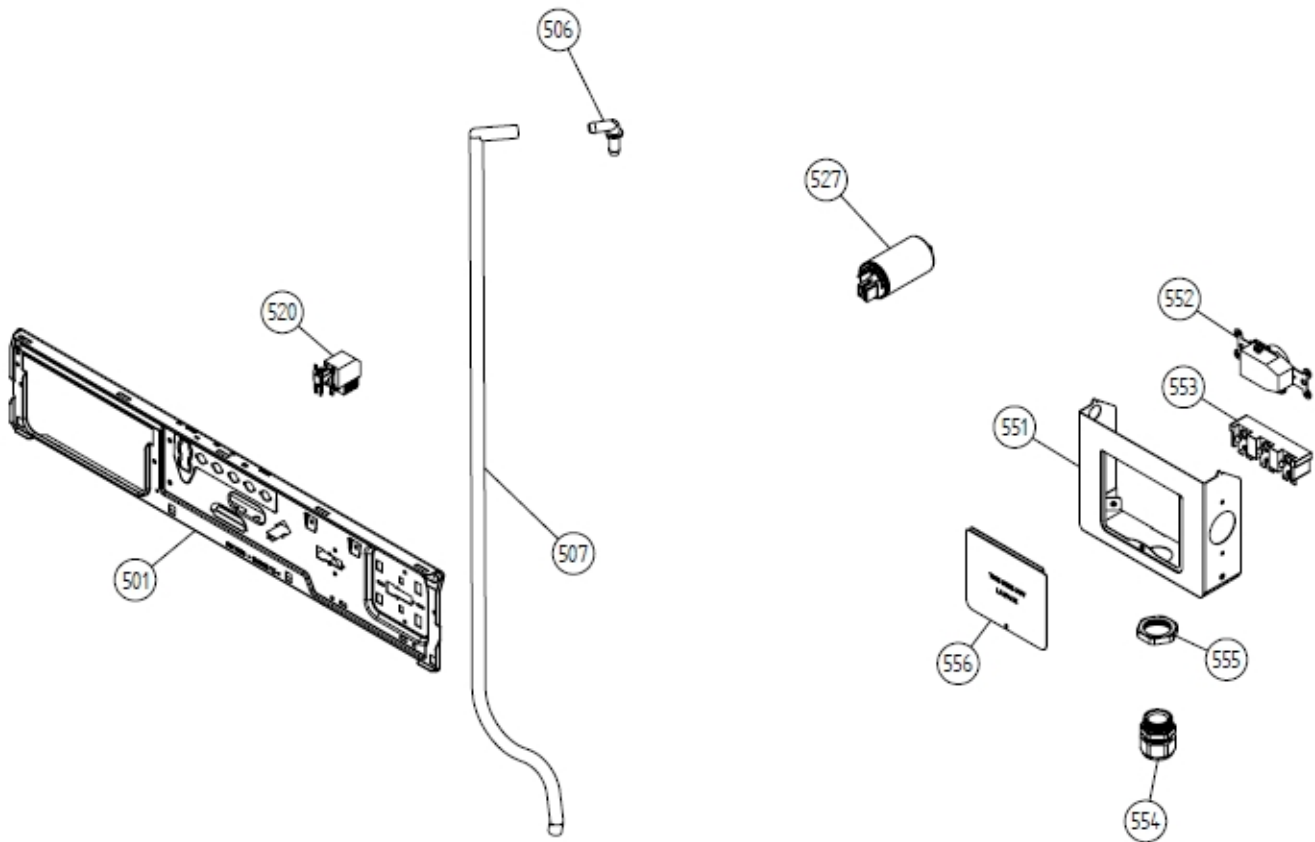
754353



Position	Ident	Spare part description	Quantity	Validity	Extra ID
401	440164	CONTR.PANEL W.HANDLE T712C ASKO US	1	Before 03.2007	
401	440164	CONTR.PANEL W.HANDLE T712C ASKO US	1	After 04.2007	
403	346498	LABEL PROG.INFO. TD25 US/CA	1		8079788
407	439985	SOAP DISP. HANDLE WMD-20 BK070 UL4	0		
430	235457	CONTROL UNIT TD25.3 UL4	1		8077132
431	268114	PUSHBUTTONS PRINTED TD25 VAR.6	1	Before 12.2006	8080523-85
431	268114	PUSHBUTTONS PRINTED TD25 VAR.6	1	After 12.2006	8080523-85
432	235295	PUSHBUTTON MAINSWITCH WMD25	1		8076364-85
433	472145	ADAPTER MAIN SWITCH WMD-25	1		
434	472114	LENS START/STOP WMD-25	1		
435	472116	LENS 8 SEGMENT WMD-25	2		
437	235298	LIGHT SCREENING LENS 7 SEGMENT	1		8076685
438	235299	LENS 7 SEGMENT WMD25	1		8076684
439	263420	KNOB COMPL. SILV./TRANSP.UL4	1	Before 02.2006	8077334-8599UL
439	263420	KNOB COMPL. SILV./TRANSP.UL4	1	After 02.2006	8077334-8599UL
440	235300	DECOR PLATE WMD25	1		8077396

Position	Ident	Spare part description	Quantity	Validity	Extra ID
464	510290	WIRING HARNESS DOOR SWITCH UL4	1		
465	235471	CABLE MOTOR, PUMP, FLOAT TD UL4	1		8076231
466	235473	CABLE SET THERMISTORS TD UL4	1		8076232
467	235476	CABLE SET HEATER TD UL4	1		8076229
490	000000		1	Before 03.2007	8079322
490	000000		1	After 04.2007 Before 10.2007	8081198
490	000000		1	Before 03.2007	8079321
490	000000		1	After 04.2007	8081197
490	000000		1	Before 03.2007	8079320
490	000000		1	After 04.2007	8081196

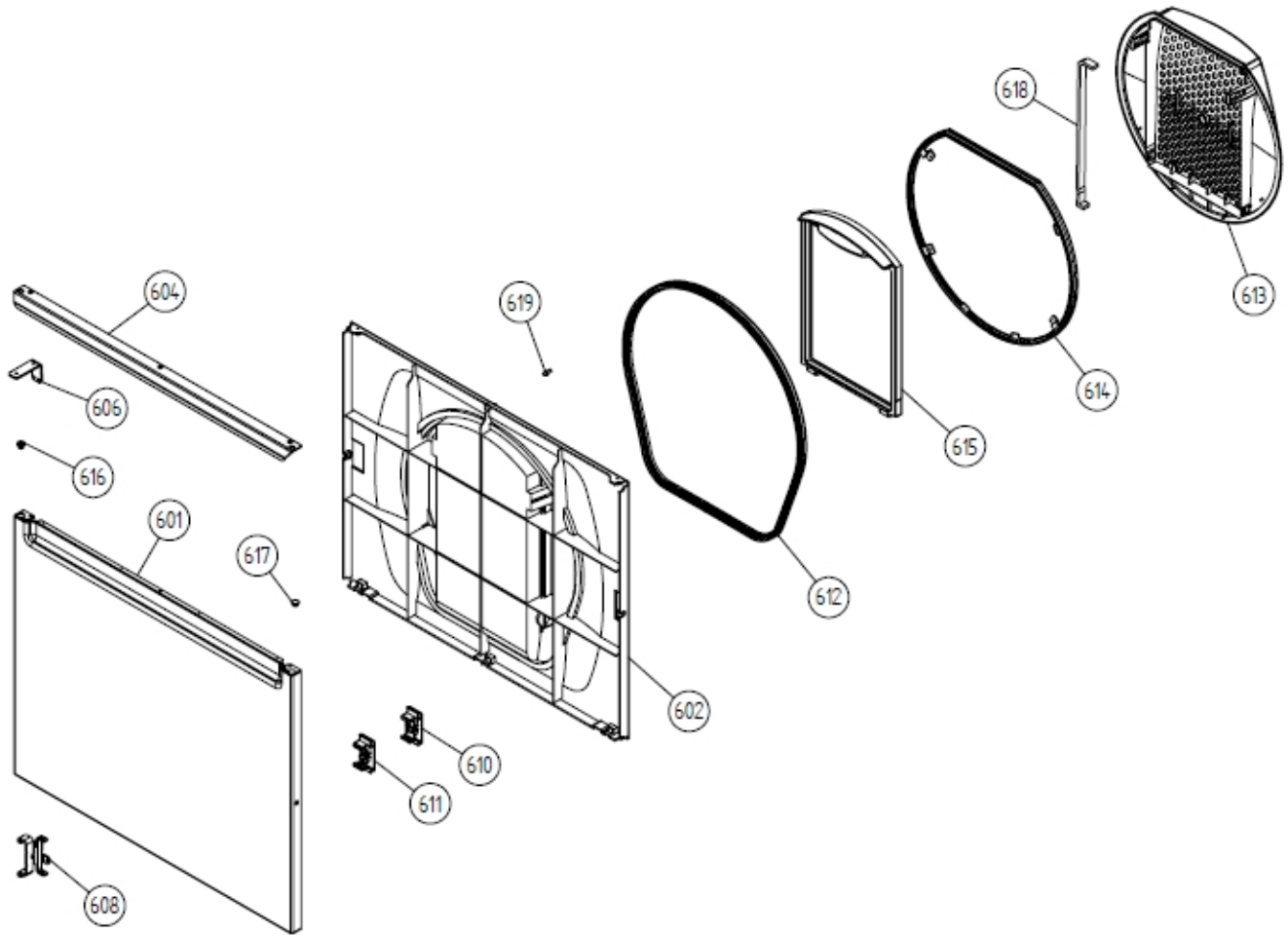
755356



Position	Ident	Spare part description	Quantity	Validity	Extra ID
501	235672	BEAM FRONT WMD25	1		8076210
501-a	408582	SCREW RTR ST4,2X9,5 FZB T20	2		8902362
501-b	104720	LOCK WASHER AZ 4,3 GALV	2		8901413
501-c	200621	SCREW PTK 40X14 WN1452 FZB T2	2		8902087
506	244311	SUPPLY HOSE ATTACHMENT	1		8054072
507	561369	HOSE 9X13X950 UL4	1	Before 12.2009	8901827
507	561369	HOSE 9X13X950 UL4	1	After 12.2009	8088169
520	200349	POWER BUTTON	1		8073782
527	235418	EMC-FILTER WMD-70	1	Before 06.2005	8076202
527	235418	EMC-FILTER WMD-70	1	After 06.2005	8076202
527-a	247934	NUT M6M8 BH8 GALV	1		8901155
527-b	247955	LOCK WASHER AZ 8,4 GALV	1		8901419
529	350376	CABLE SET POWER UL4	1		8077635
551	345863	HOUSING CONNECTION TD-70 US	1		8076324
552	345486	SOCKET 20A/240V 60HZ	1		8061033
553	345623	TERMINAL BLOCK EH-4 USA TD	1		8061891
554	184863	GROMMET PG21	1		8060462
554	346455	GROMMET 94793	1		8078291

Position	Ident	Spare part description	Quantity	Validity	Extra ID
555	184864	LOCK NUT PG21	1		8060463
556	503197	COVER CONNECTION TD-70 US	1		8063756
556-a	247984	SCREW MRT-TT 4X10 FZB T20	1		8901097

756221



Position	Ident	Spare part description	Quantity	Validity	Extra ID
601	235907	DOOR, OUTER PART WHITE WMD20	1		8061733-0
602	475772	INNER DOOR TD	1		
602-a	247996	SCREW PTK 40X14 WN1453 PF FZB	5		8902068
604	236398	HANDLE DOOR WHITE TD20	1		8061813-0
606	441944	HINGE UPPER, COMPLETE WHITE	1		8061803-0
606-a	247984	SCREW MRT-TT 4X10 FZB T20	2		8901097
606-b	248207	BLIND RIVET 4X10 AL/ST	1		8901619
608	441946	HINGE LOWER COMPL. WHITE	1		8061807-0
608	460759	HINGE LOWER LA070	1		8061806-0
608-a	408582	SCREW RTR ST4,2X9,5 FZB T20	2		8902362
608-b	247984	SCREW MRT-TT 4X10 FZB T20	1		8901097
610	245021	MAGNET LOCK ASSY	1		8061878
611	244938	HOLDER MAGNET LOCK TD20	0		8061886

Position	Ident	Spare part description	Quantity	Validity	Extra ID
612	247259	DOOR SEAL OUTER	1		8061815
613	442014	SUPPORT	1	Before 01.2007	8079750-0
613	442014	SUPPORT	1	After 01.2007	8079750-0
614	229619	SUPPORT	1	After 09.2003	8065274
615	243478	FILTER	1		8061812
616	413812	DOOR HINGE BUSH BK070	2		8061865-0
617	413813	DOOR HINGE COVER PLUG BK070	1		
618	441953	GASKET	1	After 04.2002 Before 01.2007	
618	266462	SEALING FILTER BRACKET INNER	1	After 01.2007	8079247