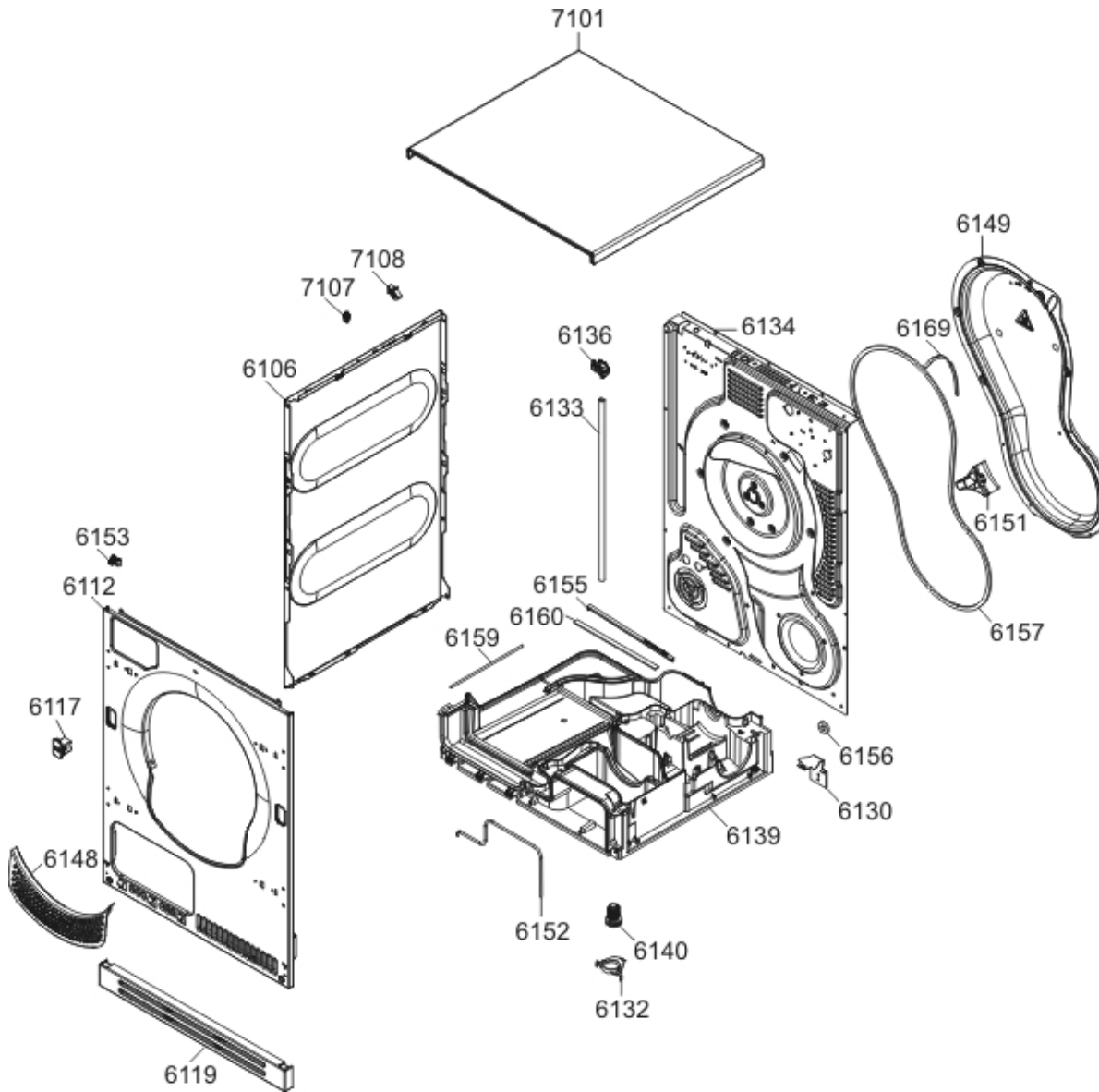


SPARE PARTS LIST

Type TD70.1C
Model T754CW
Art. No. 461622

Brand name ASKO
Version 19.03.2014
Service index 01

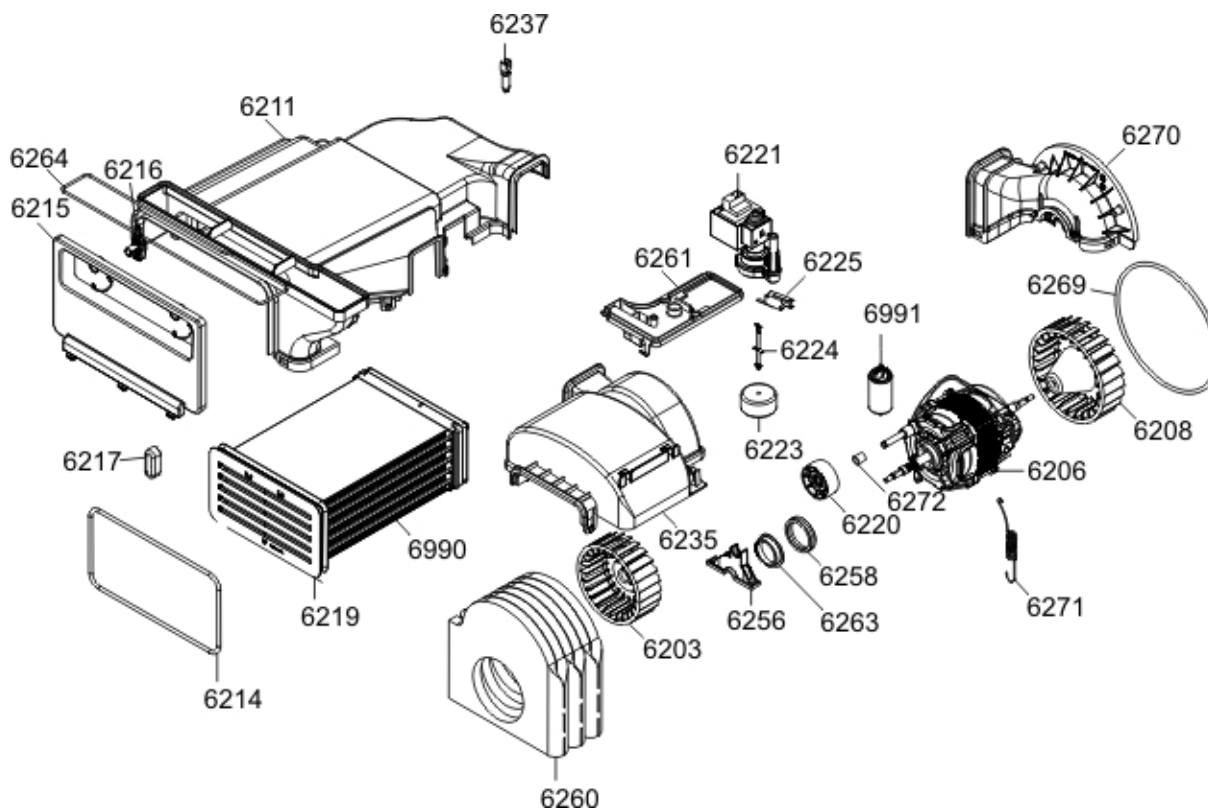
021900



| Position | Ident | Spare part description | Quantity | Validity | Extra ID |
|----------|--------|---------------------------|----------|----------|----------|
| 6106 | 503278 | PANEL TD-70 LA070 | 2 | | |
| 6112 | 371111 | FRONT PANEL H TD-70 LA070 | 1 | | |
| 6117 | 261953 | DOOR LATCH BK070 | 1 | | |

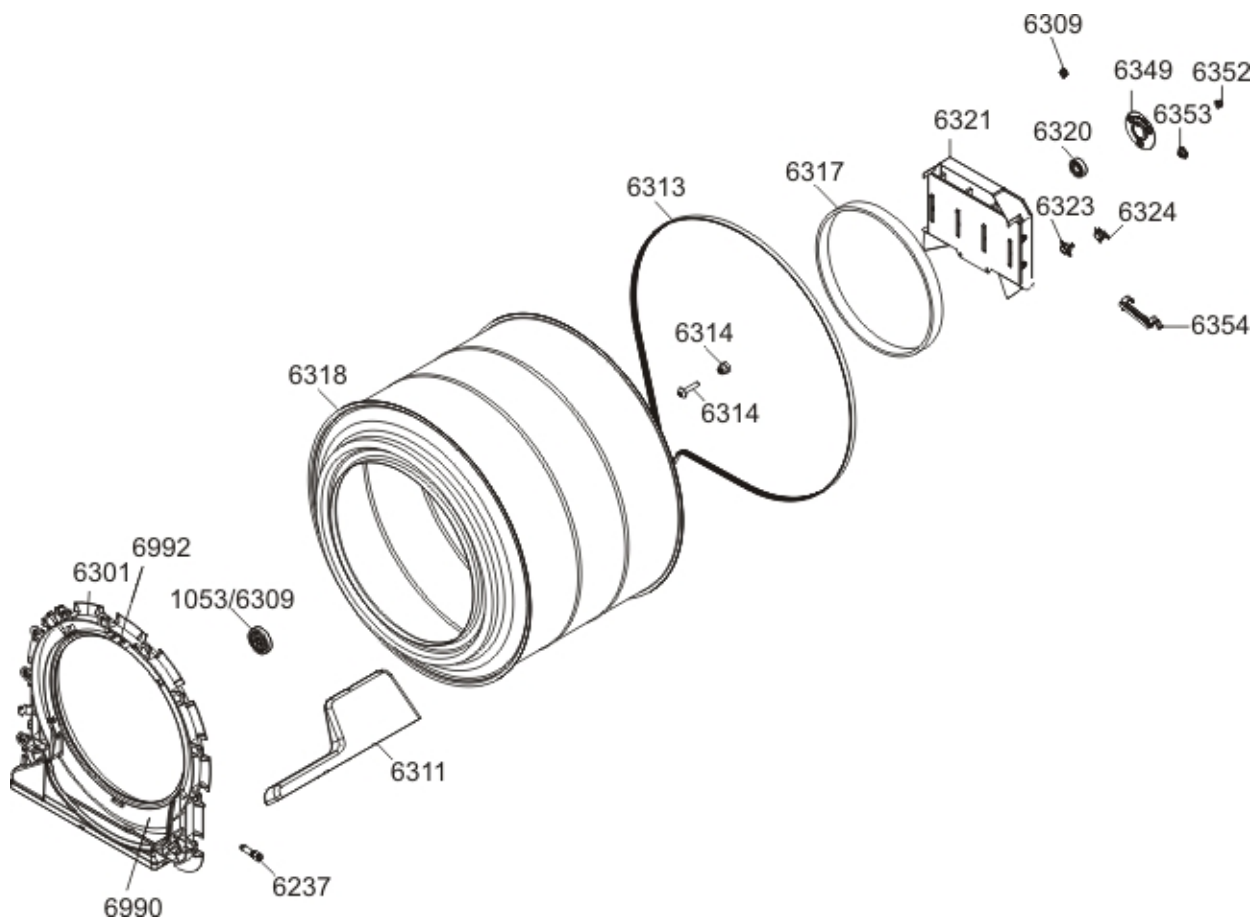
| Position | Ident | Spare part description | Quantity | Validity | Extra ID |
|----------|--------|----------------------------------|----------|----------|----------|
| 6119 | 503217 | BLEND TD-70 BK070 | 1 | | |
| 6130 | 503189 | ACCESSORY WMD | 2 | | |
| 6132 | 413845 | FOOT ATTACHMENT TD-70 | 1 | | |
| 6133 | 412078 | HOSE 9X13X2000 UL4 | 1 | | |
| 6134 | 503285 | REAR PANEL C TD-70 | 1 | | |
| 6136 | 413849 | HOSE HOLDER TD-70 | 1 | | |
| 6139 | 422788 | BOTTOM TD-70 UL4 | 1 | | |
| 6140 | 414604 | FOOT TD-70 | 4 | | |
| 6148 | 370930 | AIR DIRECTER COVER TD-70 BK070 | 1 | | |
| 6149 | 503283 | REAR PANEL COVER B TD-70 | 1 | | |
| 6151 | 503265 | SPIRAL INSERT TD-70 | 1 | | |
| 6152 | 347338 | GASKET | 1 | | |
| 6153 | 413850 | PANEL HOLDER TD-70 | 4 | | |
| 6155 | 414605 | CONDENSER GUIDE TD-70 | 1 | | |
| 6156 | 397099 | GASKET D28/D13X6 TD-70 | 1 | | |
| 6157 | 401759 | SEALING TAPE 9X4X1800 | 1 | | |
| 6159 | 413034 | SEALING TAPE D4,6 TD-70 | 0.690 | | |
| 6169 | 401760 | SEALING TAPE 6X2X180 | 1 | | |
| 7101 | 503175 | COVER WMD-70 LA070 | 1 | | |
| 7107 | 413707 | COVER HOLDER WMD-70 | 3 | | |
| 7108 | 413814 | WIRING HARNESS HOLDER WMD-70 UL4 | 2 | | |

022900

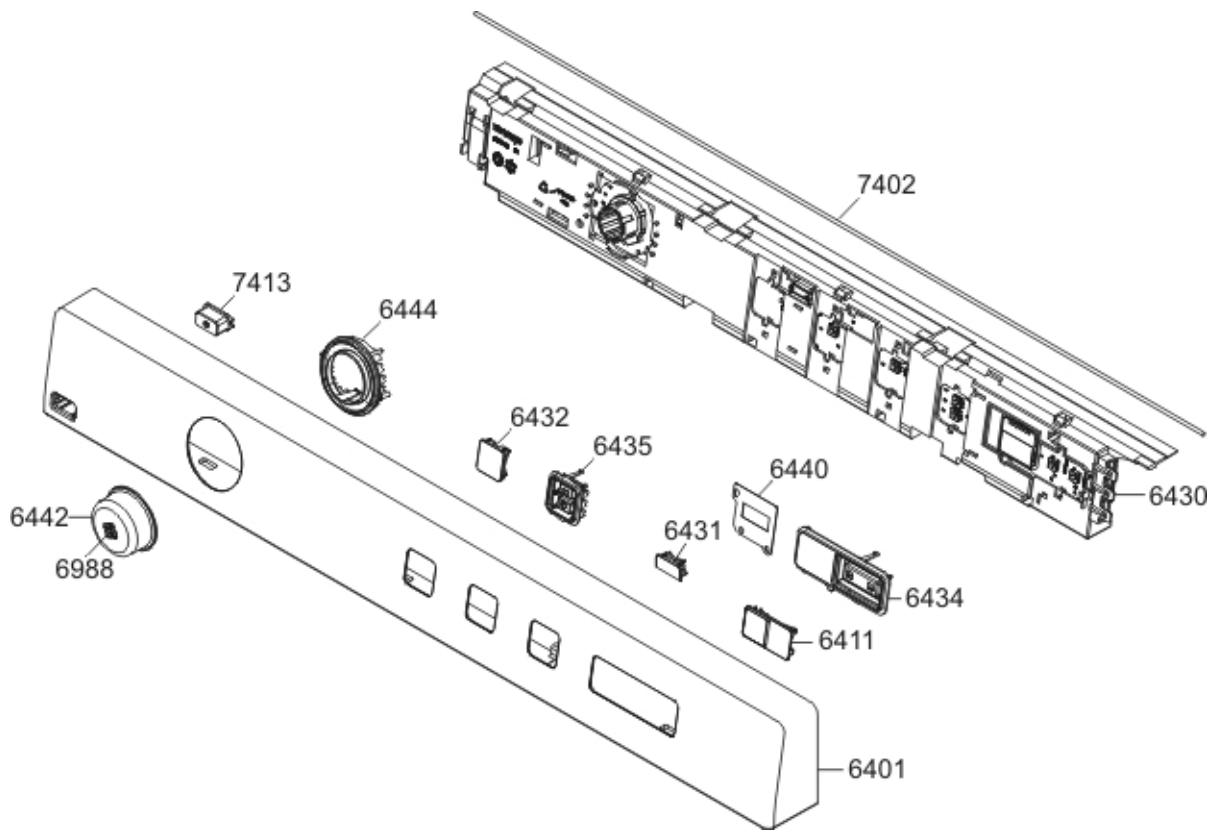


| Position | Ident | Spare part description | Quantity | Validity | Extra ID |
|----------|--------|---|----------|----------|----------|
| 6203 | 532922 | FAN G TD-70 UL4 | 1 | | |
| 6206 | 350356 | ELECTROMOTOR STD DA107A40A01 TD-70 60HZ | 1 | | |
| 6208 | 464561 | FAN PZ G C TD-70 UL4 | 1 | | |
| 6211 | 422789 | CONDENSER COVER TD-70 UL4 | 1 | | |
| 6214 | 346579 | CONDENSER DOOR GASKET TD-70 | 1 | | |
| 6215 | 503273 | CONDENSER DOOR BK070 | 1 | | |
| 6216 | 413718 | HANDLE INDOOR CONDENSER | 2 | | |
| 6217 | 413717 | HANDLE EXTERNAL CONDENSER 2502-B | 2 | | |
| 6219 | 435530 | CONDENSER TD-70-13 KPL | 1 | | |
| 6220 | 347461 | BELT PULLEY BE | 1 | | |
| 6221 | 427882 | PUMP KPS25-355 60HZ | 1 | | |
| 6223 | 242211 | FLOAT | 1 | | |
| 6224 | 413851 | FLOATER GUIDE TD-70 | 1 | | |
| 6225 | 235528 | MICROSWITCH FLOAT TD25 | 1 | | |
| 6235 | 422791 | FAN COVER TD-70 UL4 | 1 | | |
| 6237 | 269227 | TEMPERATURE SENSOR TD | 2 | | |
| 6256 | 413847 | BEARING FLANGE TD-70 | 1 | | |
| 6258 | 346825 | BEARING SHOCK ABSORBER EM TD-70 | 2 | | |
| 6261 | 422792 | FLOAT COVER TD-70 UL4 | 1 | | |
| 6263 | 413848 | SLIDE BEARING TD-70 | 2 | | |
| 6264 | 457496 | SEALING TAPE 2,75X4X860 TD-70 | 1 | | |
| 6269 | 684440 | FAN ORIFICE GASKET TD-70-17 | 1 | | |
| 6270 | 422790 | DUCT COVER TD-70 UL4 | 1 | | |
| 6271 | 346776 | SPRING EM TD-70 | 1 | | |
| 6272 | 347408 | SPACER BUSH TD-70 | 1 | | |
| 6990 | 440880 | SEALING TAPE 5X4X650 | 1 | | |
| 6991 | 350367 | CONDENSER 6UF EM 60HZ | 1 | | |

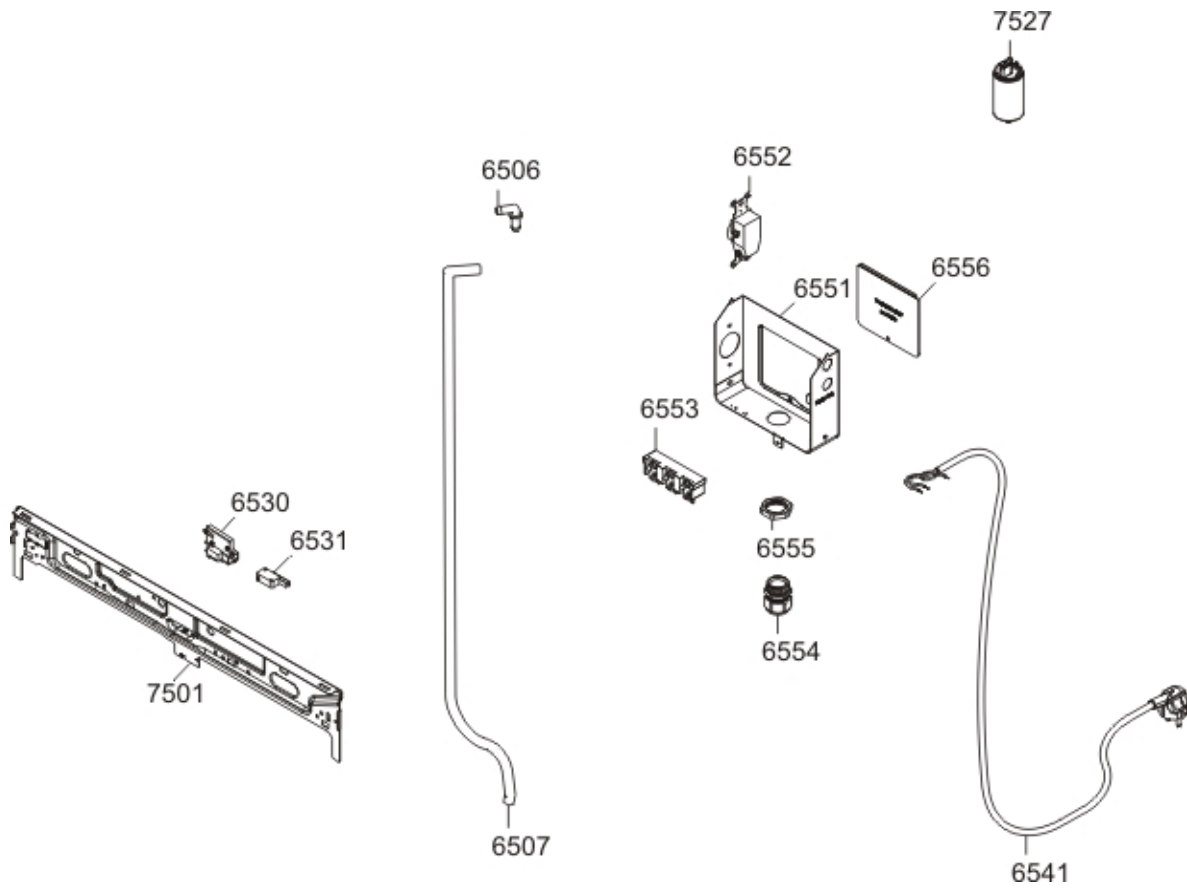
023901



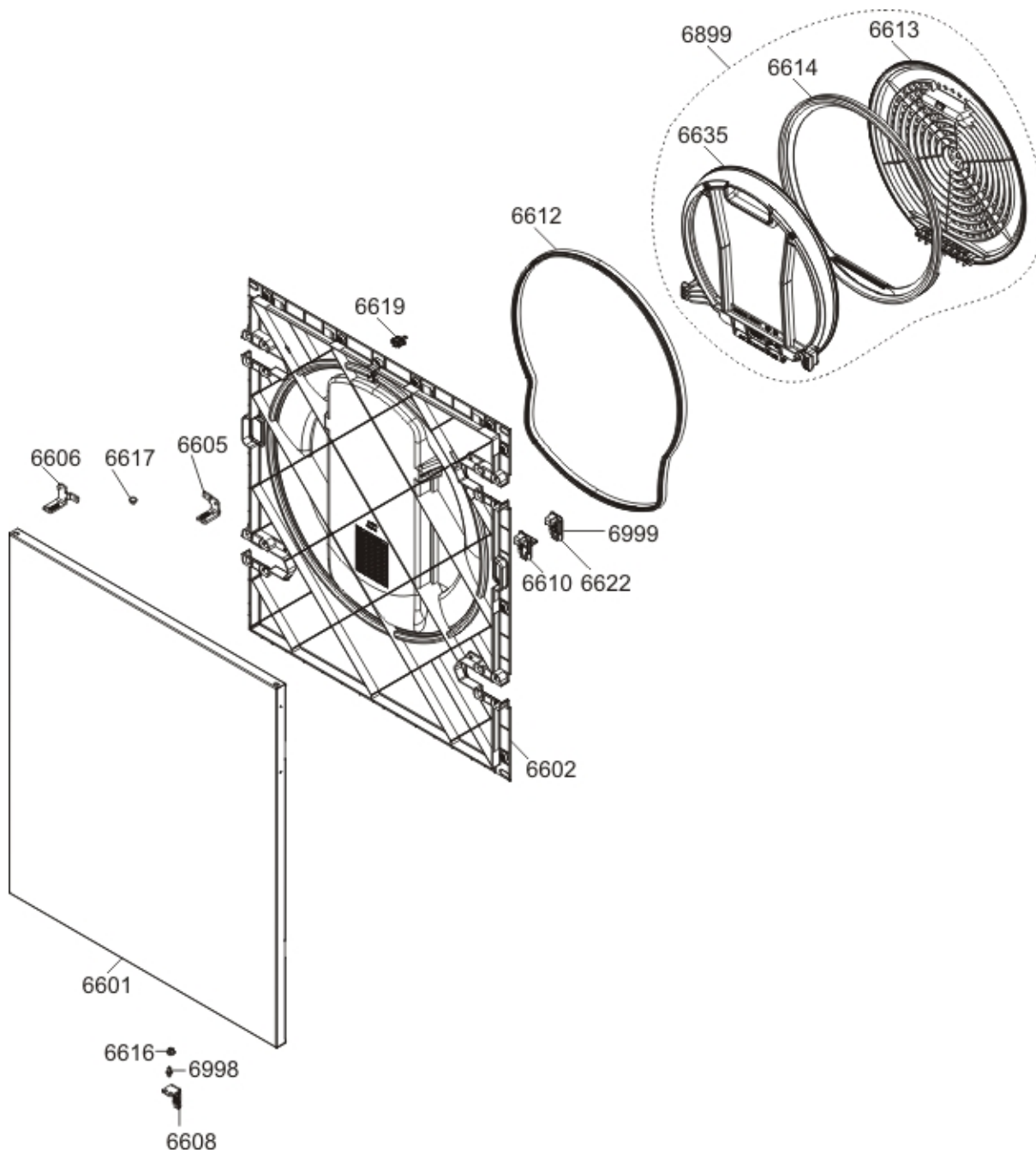
| Position | Ident | Spare part description | Quantity | Validity | Extra ID |
|----------|--------|----------------------------------|----------|----------|----------|
| 6237 | 269227 | TEMPERATURE SENSOR TD | 2 | | |
| 6301 | 489321 | AIR DIRECTER TD-80 2502-B ASSY S | 1 | | |
| 6309 | 273637 | SUPPORT WHEEL SP-09 | 2 | | |
| 6311 | 503191 | RIB TD-80 | 2 | | |
| 6313 | 562036 | BELT POLY-V 7PH 1930 HUTCHINSON | 1 | | |
| 6314 | 346819 | BEARING BUSH TD-70 | 1 | | |
| 6317 | 572729 | DRUM GASKET BACK TD-70/16 | 1 | | |
| 6318 | 411207 | DRUM TD-70 | 1 | | |
| 6320 | 247808 | BEARING SKF 6202-2Z/C3Q66 | 1 | | |
| 6321 | 350364 | HEATER 2500W TD-70 | 1 | | |
| 6323 | 350493 | THERMOSTAT 110STC TD-70 | 1 | | |
| 6324 | 371555 | THERMOSTAT 135DEG MR TD-70 UL | 1 | | |
| 6349 | 503267 | BEARING HOUSING TD-70 | 1 | | |
| 6352 | 347764 | NUT 8 M6 FZB | 2 | | |
| 6353 | 346839 | NUT TD-70 | 1 | | |
| 6354 | 414607 | HEATER CABLE HOLDER TD-70 | 1 | | |
| 6990 | 440880 | SEALING TAPE 5X4X650 | 1 | | |
| 6992 | 347442 | LAMP OPENING COVER TD-70 | 1 | | |



| Position | Ident | Spare part description | Quantity | Validity | Extra ID |
|----------|--------|----------------------------------|----------|----------|----------|
| 6401 | 503134 | FRONT PANEL TD-70.1 U188 SIGN | 1 | | |
| 6411 | 414677 | KEY START/STOP TD-70.1 | 1 | | |
| 6430 | 416515 | CONTROL UNIT 70.1 B/C-H2-CSA/001 | 1 | | |
| 6431 | 503252 | SELECTING KEY WMD-70.1 BK070 | 2 | | |
| 6432 | 503251 | SELECTING KEY 1 WMD-70.1 | 2 | | |
| 6434 | 413709 | KEY SUPPORT START/STOP WMD-70.1 | 1 | | |
| 6435 | 413708 | KEY SUPPORT MENU WMD-70.1 UL4 | 3 | | |
| 6440 | 413710 | DECORATIVE PLATE WMD-70.1 | 1 | | |
| 6442 | 417170 | CONTROL KNOB WMD-70.1 0502-B UL4 | 1 | | |
| 6444 | 413711 | ILLUMINATION PLATE WMD-70.1 UL4 | 1 | | |
| 6988 | 500568 | LOGO ASKO A S NCS6502-B | 1 | | |
| 7402 | 266986 | GASKET D3,1X570 | 1 | | |
| 7413 | 413713 | KEY ON/OFF WMD-70.2 | 1 | | |



| Position | Ident | Spare part description | Quantity | Validity | Extra ID |
|----------|--------|----------------------------------|----------|----------|----------|
| 6506 | 414531 | SUPPLY HOSE ATTACHMENT | 1 | | |
| 6507 | 503271 | HOSE 9X13X1145 UL4 TD-70 | 1 | | |
| 6530 | 413714 | DOOR SWITCH HOLDER WMD-70 | 1 | | |
| 6531 | 437397 | DOOR SWITCH METALFLEX | 1 | | |
| 6541 | 501459 | CONNECTING CABLE TD-70 US/CA KPL | 1 | | |
| 6551 | 345863 | HOUSING CONNECTION TD-70 US | 1 | | |
| 6552 | 345486 | SOCKET 20A/240V 60HZ | 1 | | |
| 6553 | 345623 | TERMINAL BLOCK EH-4 USA TD | 1 | | |
| 6554 | 346455 | GROMMET 94793 | 1 | | |
| 6555 | 184864 | LOCK NUT PG21 | 1 | | |
| 6556 | 503197 | COVER CONNECTION TD-70 US | 1 | | |
| 7501 | 565041 | FRONT PANEL HOLDER WMD-70 F | 1 | | |
| 7527 | 235418 | EMC-FILTER WMD-70 | 1 | | |



| Position | Ident | Spare part description | Quantity | Validity | Extra ID |
|----------|--------|--------------------------------|----------|----------|----------|
| 6601 | 503205 | DOOR FRAME-EXTERIOR LA070 | 1 | | |
| 6602 | 503276 | INTERIOR DOOR FRAME 2502-BUL4 | 1 | | |
| 6605 | 503218 | HINGE HOLDER UPPER RIGHT LA070 | 1 | | |
| 6606 | 503223 | HINGE HOLDER UPPER LEFT LA070 | 1 | | |
| 6608 | 503201 | HINGE HOLDER LA070 | 2 | | |
| 6610 | 263958 | DOOR LOCK PIN S 2502-B | 1 | | |
| 6612 | 498295 | DOOR GASKET TD-70 | 1 | | |

| Position | Ident | Spare part description | Quantity | Validity | Extra ID |
|----------|--------|---------------------------------|----------|----------|----------|
| 6899 | 655709 | FILTER DOOR ASSY | 1 | | |
| 6613 | 672295 | DOOR FILTER COVER ASSY | 1 | | |
| 6614 | 347056 | FILTER GASKET TD-70 | 1 | | |
| 6616 | 413812 | DOOR HINGE BUSH BK070 | 2 | | |
| 6617 | 413813 | DOOR HINGE COVER PLUG BK070 | 1 | | |
| 6619 | 413846 | DOOR SWITCH PIN S 2502-B | 1 | | |
| 6622 | 261986 | DOOR LOCK COVER S 2502-B | 1 | | |
| 6635 | 509728 | FILTER DOOR ASSY S 2502-B TD-70 | 1 | | |
| 6998 | 255125 | HINGE PIN M5 | 2 | | |
| 6999 | 261981 | DOOR LOCK COVER BK070 | 1 | | |

027900

SET KABELSKI
 WIRING HARNESS
 KABELBAUM
 CABLAGE ASSEMBLE

| Position | Ident | Spare part description | Quantity | Validity | Extra ID |
|----------|--------|---|----------|----------|----------|
| 6588 | 503250 | WIRING HARNESS LB TD-70 UL4 | 1 | | |
| 6993 | 413618 | EARTHING CONDUCTOR AWG18 L2000 RU/ZE MO | 1 | | |
| 6994 | 414651 | WIRING HARNESS NTC-C TD-70 UL4 | 1 | | |
| 6995 | 413558 | WIRING HARNESS P TD-70 UL4 | 1 | | |
| 6996 | 413557 | WIRING HARNESS EL TD-70 UL4 | 1 | | |
| 6997 | 350456 | WIRING HARNESS AP FB MO TD TD-70 UL4 | 1 | | |