

# SPARE PARTS LIST

**Hisense** EUROPE

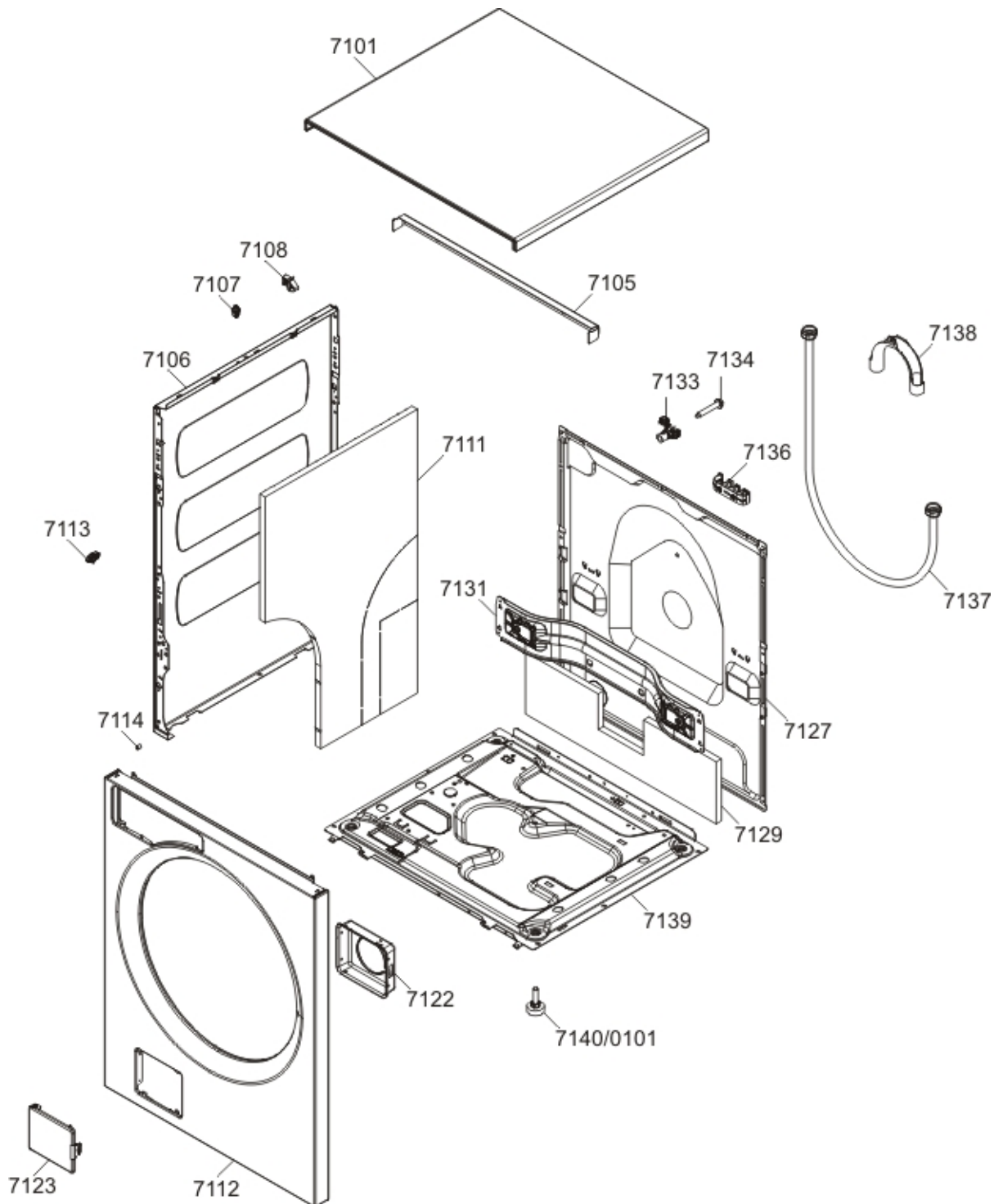
Date 14.09.2022

Time 01:14:52

Type WM70.1  
Model W6424W  
Art. No. 461611

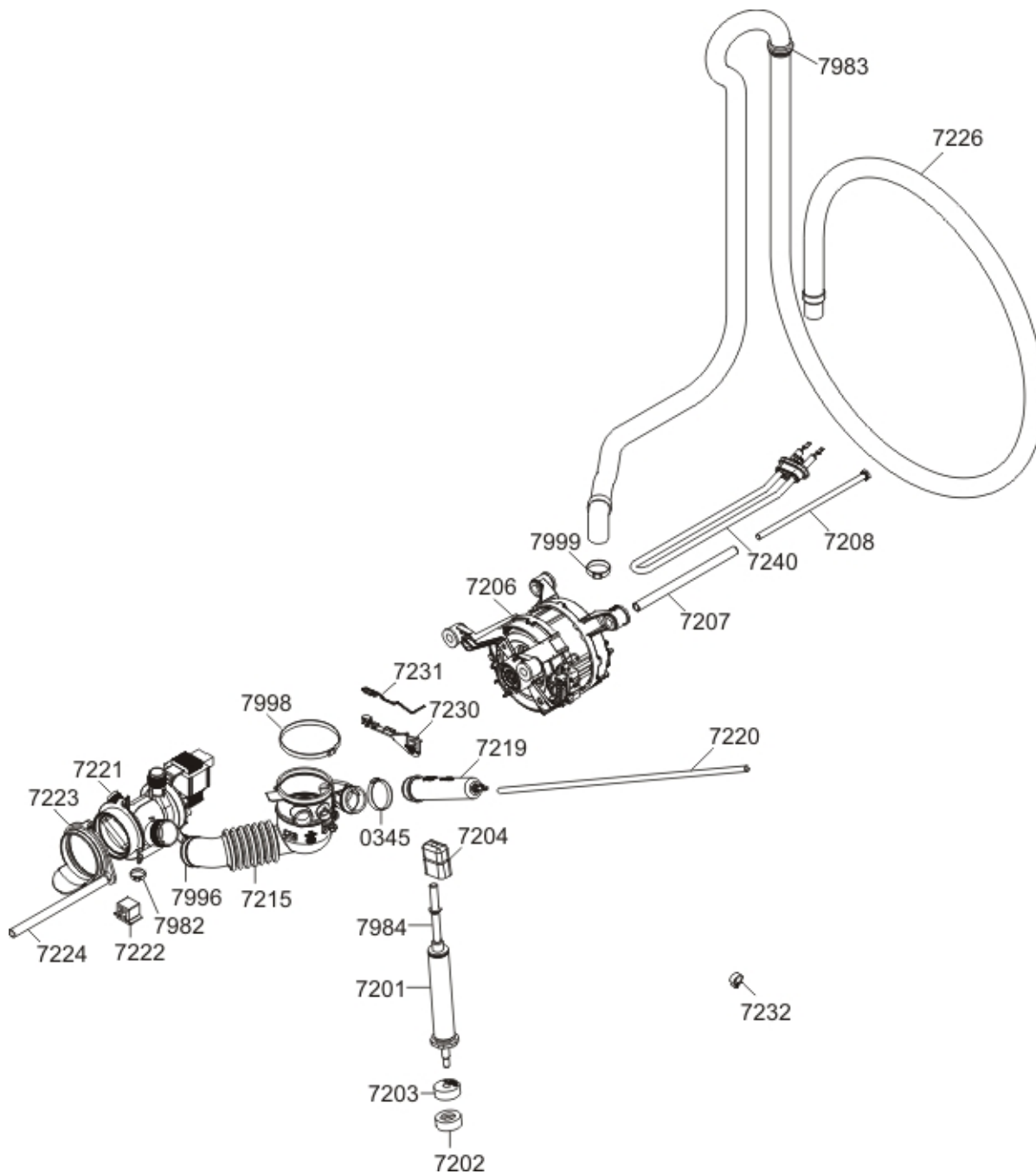
Brand name ASKO  
Version 03.04.2014  
Service index 01

021700



Position	Ident	Spare part description	Quantity	Validity	Extra ID
7101	503175	COVER WMD-70 LA070	1		
7105	503181	COVERSUPPORT L553,5 WM-70	1		
7106	371524	CABINET SIDE PANEL WM-70 LA070	2		
7107	413707	COVER HOLDER WMD-70	4		
7108	413814	WIRING HARNESS HOLDER WMD-70 UL4	6		
7111	252181	SOUND DEAD.SHEET OUTLET HOSE	1		
7112	415394	FRONT PANEL WM-80 KPL LA070	1		
7113	412257	FRONT PANEL LATCH WM-70 UL4	2		
7114	228893	PLASTIC GUIDE FRONT PLATE	2		
7122	416079	FILTER PROTECTION PICKLED WM-70	1		
7123	503179	FILTER COVER 0502-B WM-70	1		
7127	503178	REAR PANEL WM-70	1		
7131	503261	BLOCKADE HOLDER WM-70	1		
7133	551188	TRANSPORT INSERT WM-75/85	3		
7134	270698	SCREW M10X65 TT FZB	3		
7136	413811	HOSE HOLDER WMD-70	2		
7137	254162	SUPPLY HOSE L1500 D15X2,5 3/4-3/4 11,5US	1		
7138	498220	DISCHARGE HOSE BOW POM	1		
7139	503180	BOTTOM WM-70	1		
7140	499533	ADJUSTABLE FOOT PS-10 ASSY	4		

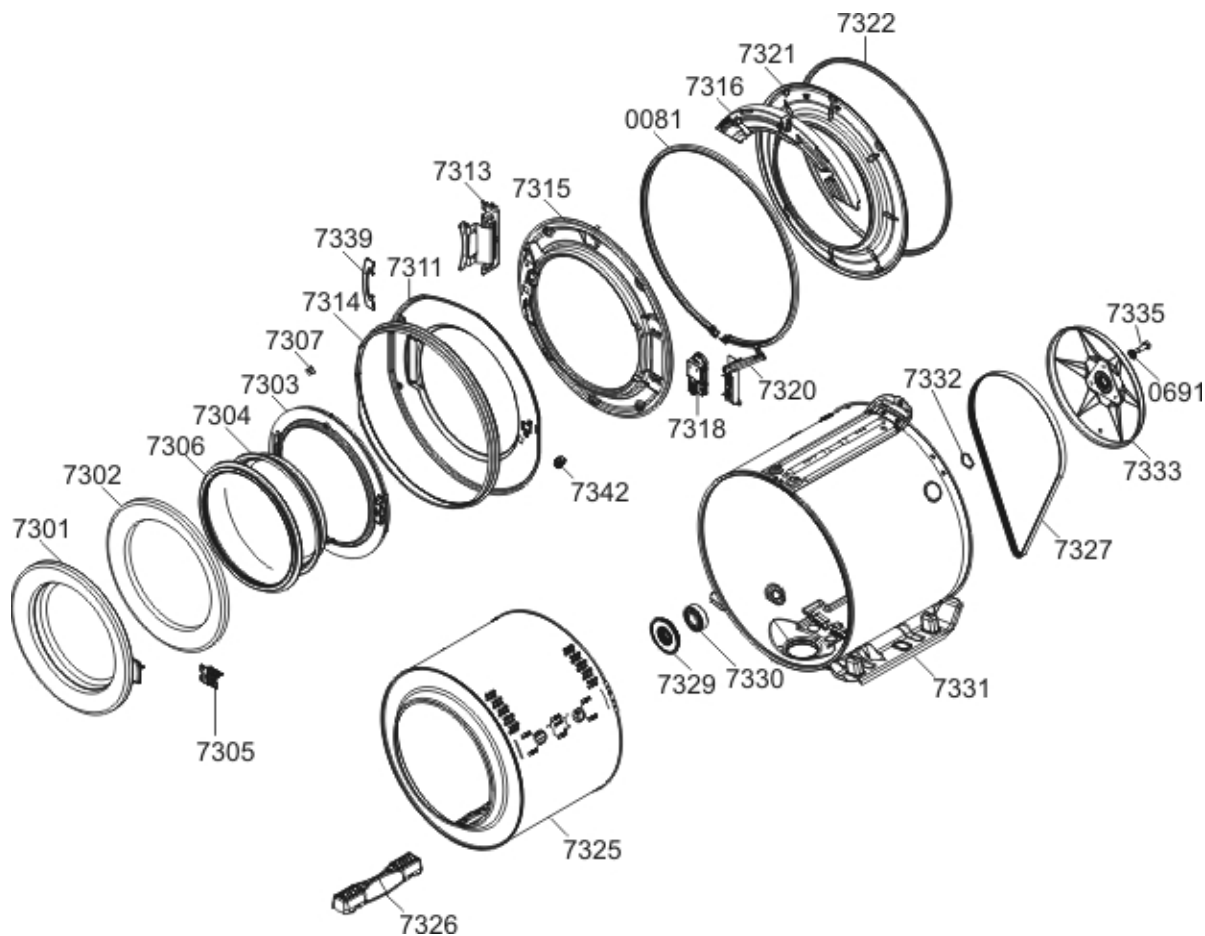
**022704**



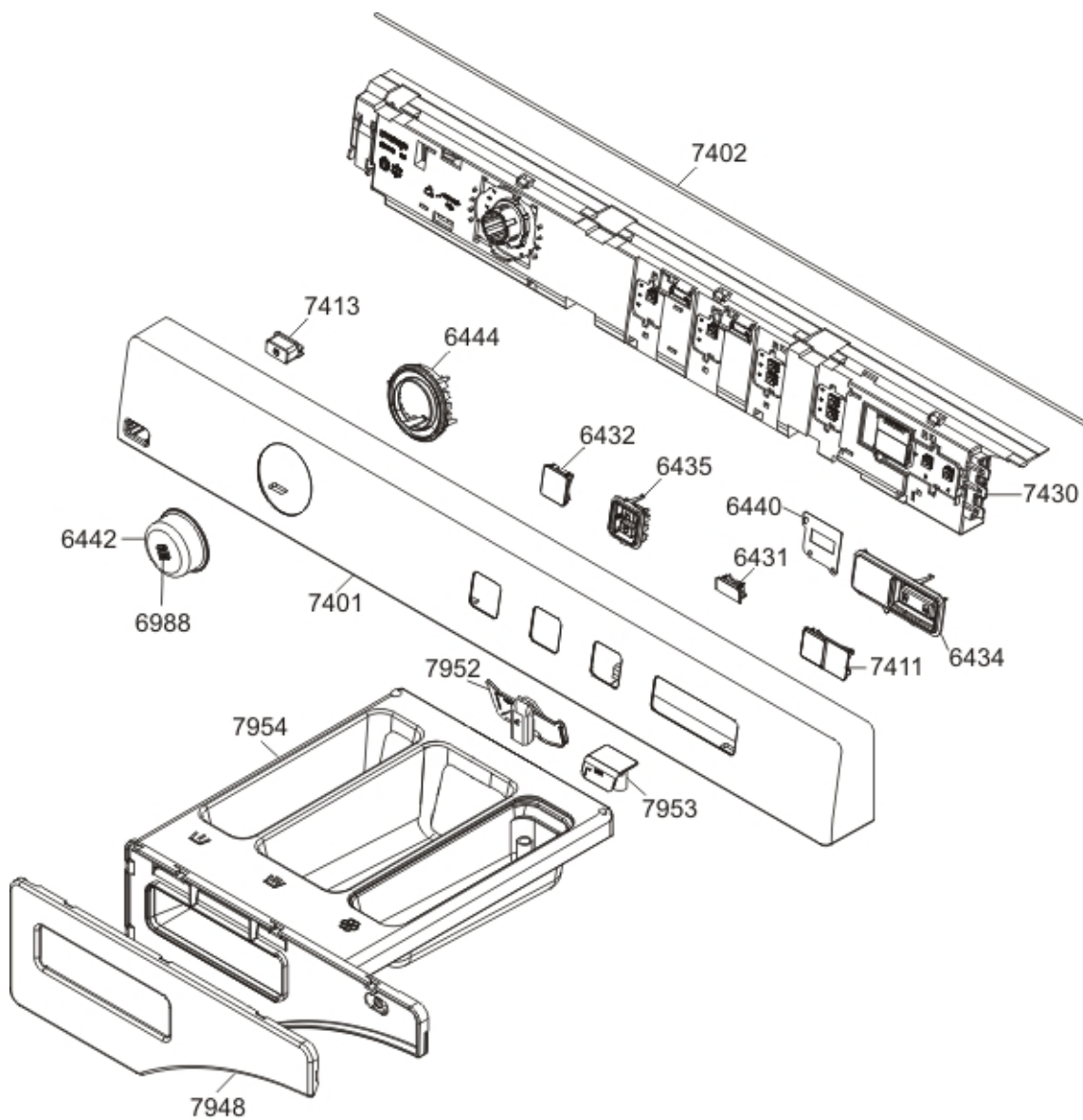
Position	Ident	Spare part description	Quantity	Validity	Extra ID
0345	173088	CLAMP D38 FM	1		
7201	464524	TUB SHOCK ABSORBER 60N WM-70	4		
7202	270755	SPRING LEG DAMPER WM-70	4		
7203	270772	SPRING LEG DAMPER WM-70	4		
7204	270777	PISTON ROD DAMPER WM-70	4		
7206	192798	MOTOR 60HZ UL4	1		
7207	419002	BUSH WM-70	2		
7208	237689	SCREW 8.8 M8X205 FZB	2		
7215	500770	HOSE TUB-FILTER WM-70 UL4	1		
7219	503182	HYDROSTAT CAP WM-70	1		

Position	Ident	Spare part description	Quantity	Validity	Extra ID
7220	503249	HOSE 4,3X7,3 L610 WM-70 UL4	1		
7221	183436	FILTER HOUSING WITH PUMP 230V/60HZ	1		
7222	252146	RUBBER BUFFER,DRAIN PUMP	2		
7223	247550	RUBBER RING DRAINPUMP	1		
7224	503183	HOSE D12/D8 L180 WM-70	1		
7226	476225	DISCHARGE HOSE WM-70	1		
7230	413854	THERMISTOR HOLDER WM-70	1		
7231	415234	THERMISTOR WM80	1		
7232	252089	CABLE HOLDER SMALL	2		
7240	251260	HEATER 2000W 230V FUSE UL	1		
7982	252005	BELT CLAMP D14,8	1		
7983	413866	DISCHARGE HOSE HOLDER WM-70	2		
7984	500888	PISTON ROD L142 WM-70	4		
7996	252050	CLAMP D42,5	1		
7998	252084	CLAMP D80,0	1		
7999	438429	CLAMP D29,5	1		

## 023704



Position	Ident	Spare part description	Quantity	Validity	Extra ID
0081	587333	CLAMP PS-03	1		
0691	587646	WASHER 10,5X30X3	1		
7301	412127	DOOR KPL WM-70 LA012	1		
7302	503171	DOOR FRAME-EXTERIOR WM-70.C	1		
7303	503282	INTERIOR DOOR FRAME WM-70.C S	1		
7304	236769	FRONT GLASS D306X42MM WM2	1		
7305	427251	DOOR STUCKER WM-70 2502-B	1		
7306	415427	DOOR SEAL WM-80.C UL4	1		
7307	412469	GLASS HOLDER WM-70 KPL	5		
7311	503170	BLEND TUB WM-70 LA070	1		
7313	268842	HINGE WM60.C	1		
7314	415420	GASKET WM-80 S 2502-B	1		
7315	503245	OUTER WALL TUBS WM-70	1		
7316	262556	BALANCE WEIGHT 5,1 KG	2		
7318	267315	DOOR LOCK	1		
7320	414464	DOOR LOCK COVER WM70 UL4	1		
7321	503244	INNER WALL TUBS WM-70	1		
7322	268551	SEALING STRIP FRONT GABLE WM7	1		
7325	411487	DRUM WM-70 KPL	1		
7326	503169	DRUM RIB WM-70	3		
7327	268537	DRIVE BELT J5 1225	1		
7329	233475	SEALING RING WM-70	1		
7330	247805	BALL BEARING 6206 2RS MTSRL	2		
7331	412583	TUB WM-70 KPL	1		
7332	247962	SCALE WASHER 37X30,5X0,5	1		
7333	448289	BELT PULLEY WM-70 F KPL	1		
7335	247972	SCREW BUFO 8,8 10X25 GALV	1		
7339	503172	HINGE COVER WM-70.C BK070	1		
7342	413867	DOOR GLASS GUIDE WM-70	1		



Position	Ident	Spare part description	Quantity	Validity	Extra ID
6431	503252	SELECTING KEY WMD-70.1 BK070	2		
6432	503251	SELECTING KEY 1 WMD-70.1	2		
6434	413709	KEY SUPPORT START/STOP WMD-70.1	1		
6435	413708	KEY SUPPORT MENU WMD-70.1 UL4	3		
6440	413710	DECORATIVE PLATE WMD-70.1	1		
6442	417170	CONTROL KNOB WMD-70.1 0502-B UL4	1		
6444	413711	ILLUMINATION PLATE WMD-70.1 UL4	1		
6988	500568	LOGO ASKO A S NCS6502-B	1		
7401	503108	FRONT PANEL W6424 US WM-70.1 B	1		



Position	Ident	Spare part description	Quantity	Validity	Extra ID
7503	489761	SOAP DISPENSER WM-80 KPL UL4	1		
7506	245603	BELLOWS HOSE INLET WM20	1		
7510	427935	HOSE WM-80	1		
7515	467756	ELECTRO VALVE DOUBLE 220/240V INV	1		
7526	503222	EL. COMPONENTS HOLDER WM-70	1		
7527	235418	EMC-FILTER WMD-70	1		
7531	272227	LEVEL SWITCH WM70.1	1		
7535	247813	GUARD, LEVELSWITCH HOSE WM20	2		
7537	503262	HOLDER-BEHIND L587 WM-70	1		
7539	413719	CABLE GROMMET Z13	1		
7541	255948	SUPPLY CORD SJT 3XAWG12 2000	1		
7544	257325	FUSE HOLDER 15A BK US/CA ASSY	2		
7547	413175	BALANSING SPRING WM-70	2		
7557	427933	HOSE D15/D10X240 WM-80 UL4	2		
7951	489768	SOAP DISPENSER HOUSING WM-80 KPL	1		
7956	477204	SEALING FRAME WM-80 070	1		
7962	252010	BELT CLAMP D17,0	2		
7994	252012	CLAMP D21,0	1		
7995	251922	CLAMP D56,0	1		

**027702**

SET KABELSKI  
WIRING HARNESS  
KABELBAUM  
CABLAGE ASSEMBLE



Position	Ident	Spare part description	Quantity	Validity	Extra ID
7979	503260	EARTHING CONDUCTOR WM-70 L860 RU/ZE UL4	1		
7980	503257	WIRING HARNESS IV WM-70.1 UL4	1		
7981	503174	WIRING HARNESS EM WM-70 UL4	1		
7985	503228	WIRING HARNESS EL WM-70 UL4	1		
7991	503227	WIRING HARNESS N AP LL WM-70 UL4	1		
7992	503248	WIRING HARNESS P WM-70 UL4	1		