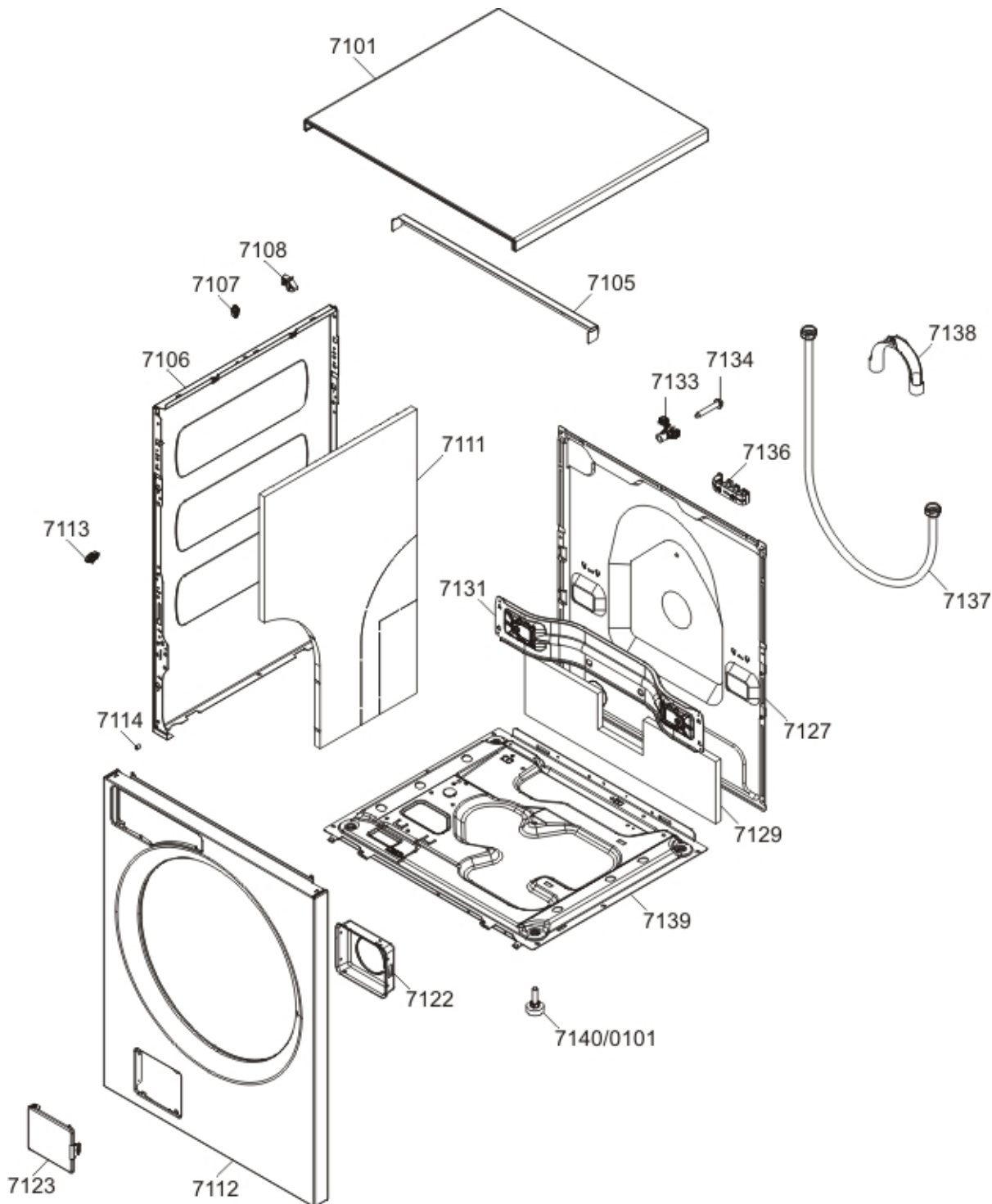


SPARE PARTS LIST

Type WM70.1
Model W6424T
Art. No. 461612

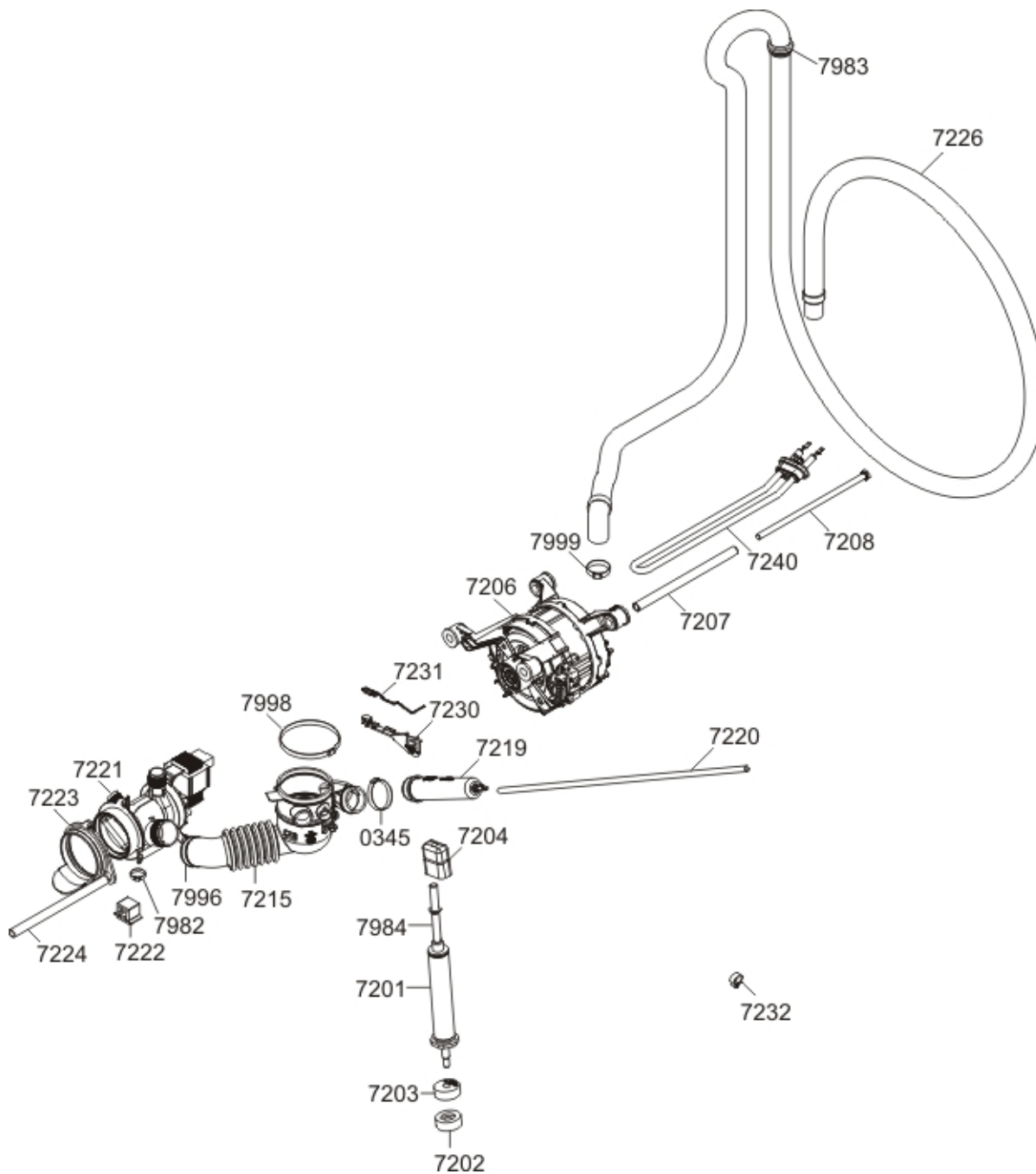
Brand name ASKO
Version 03.04.2014
Service index 01

021700



Position	Ident	Spare part description	Quantity	Validity	Extra ID
7101	503173	COVER/WORKTOP WMD-70 LA022A	1		
7105	503181	COVERSUPPORT L553,5 WM-70	1		
7106	371517	CABINET SIDE PANEL WM-70 LA022A	2		
7107	413707	COVER HOLDER WMD-70	4		
7108	413814	WIRING HARNESS HOLDER WMD-70 UL4	6		
7111	252181	SOUND DEAD.SHEET OUTLET HOSE	1		
7112	428828	FRONT PANEL W.FIL.PROT.WM-80 ASSY LA022A	1		
7113	412257	FRONT PANEL LATCH WM-70 UL4	2		
7114	228893	PLASTIC GUIDE FRONT PLATE	2		
7122	416079	FILTER PROTECTION PICKLED WM-70	1		
7123	414400	FILTER COVER LA022S5 WM-70 UL4	1		
7127	503178	REAR PANEL WM-70	1		
7131	503261	BLOCKADE HOLDER WM-70	1		
7133	551188	TRANSPORT INSERT WM-75/85	3		
7134	270698	SCREW M10X65 TT FZB	3		
7136	413811	HOSE HOLDER WMD-70	2		
7137	254162	SUPPLY HOSE L1500 D15X2,5 3/4-3/4 11,5US	1		
7138	498220	DISCHARGE HOSE BOW POM	1		
7139	503180	BOTTOM WM-70	1		
7140	499533	ADJUSTABLE FOOT PS-10 ASSY	4		

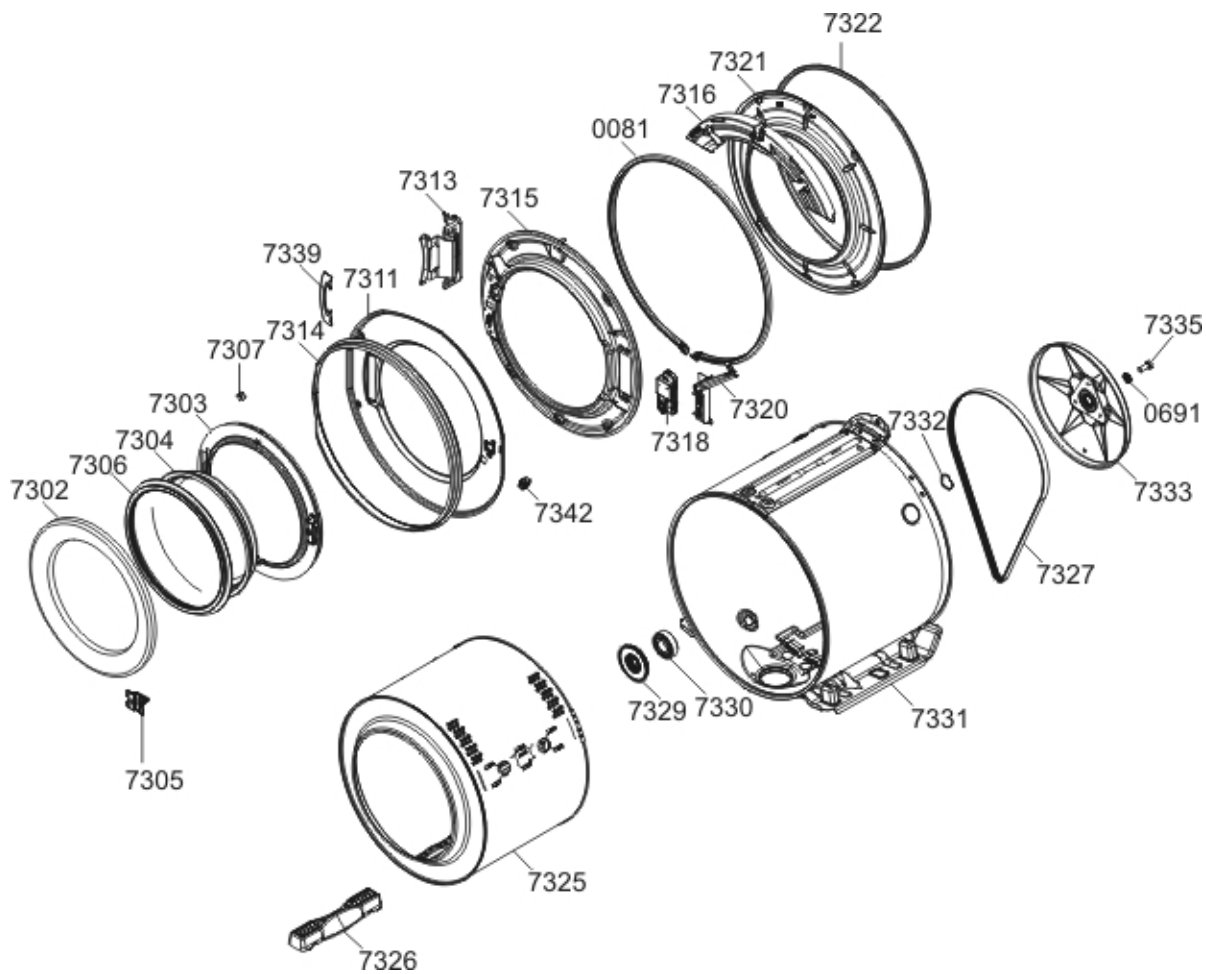
022704



Position	Ident	Spare part description	Quantity	Validity	Extra ID
0345	173088	CLAMP D38 FM	1		
7201	464524	TUB SHOCK ABSORBER 60N WM-70	4		
7202	270755	SPRING LEG DAMPER WM-70	4		
7203	270772	SPRING LEG DAMPER WM-70	4		
7204	270777	PISTON ROD DAMPER WM-70	4		
7206	192798	MOTOR 60HZ UL4	1		
7207	419002	BUSH WM-70	2		
7208	237689	SCREW 8.8 M8X205 FZB	2		
7215	500770	HOSE TUB-FILTER WM-70 UL4	1		
7219	503182	HYDROSTAT CAP WM-70	1		

Position	Ident	Spare part description	Quantity	Validity	Extra ID
7220	503249	HOSE 4,3X7,3 L610 WM-70 UL4	1		
7221	183436	FILTER HOUSING WITH PUMP 230V/60HZ	1		
7222	252146	RUBBER BUFFER,DRAIN PUMP	2		
7223	247550	RUBBER RING DRAINPUMP	1		
7224	503183	HOSE D12/D8 L180 WM-70	1		
7226	476225	DISCHARGE HOSE WM-70	1		
7230	413854	THERMISTOR HOLDER WM-70	1		
7231	415234	THERMISTOR WM80	1		
7232	252089	CABLE HOLDER SMALL	2		
7240	251260	HEATER 2000W 230V FUSE UL	1		
7982	252005	BELT CLAMP D14,8	1		
7983	413866	DISCHARGE HOSE HOLDER WM-70	2		
7984	500888	PISTON ROD L142 WM-70	4		
7996	252050	CLAMP D42,5	1		
7998	252084	CLAMP D80,0	1		
7999	438429	CLAMP D29,5	1		

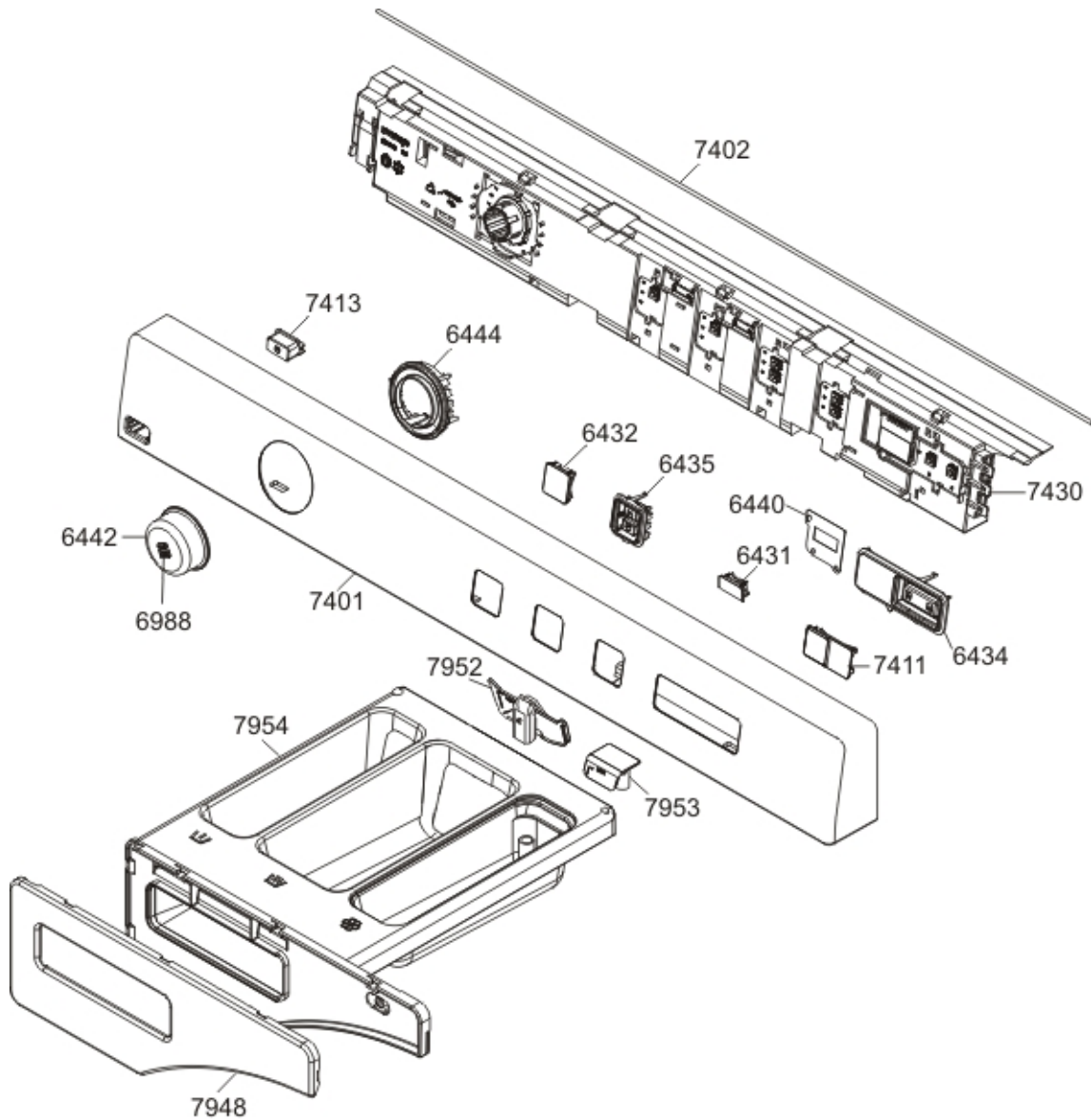
023703



Position	Ident	Spare part description	Quantity	Validity	Extra ID
0081	587333	CLAMP PS-03	1		
0691	587646	WASHER 10,5X30X3	1		
7302	414470	DOOR FRAME-EXTERIOR WM-70.C	1		
7303	503282	INTERIOR DOOR FRAME WM-70.C S	1		
7304	236769	FRONT GLASS D306X42MM WM2	1		
7305	427251	DOOR STUCKER WM-70 2502-B	1		
7306	415427	DOOR SEAL WM-80.C UL4	1		
7307	412469	GLASS HOLDER WM-70 KPL	5		
7311	503247	BLEND TUB WM-70 LA022A	1		
7313	268842	HINGE WM60.C	1		
7314	415422	GASKET WM-80 S 5502-Y	1		
7315	503245	OUTER WALL TUBS WM-70	1		
7316	262556	BALANCE WEIGHT 5,1 KG	2		
7318	267315	DOOR LOCK	1		
7320	414464	DOOR LOCK COVER WM70 UL4	1		
7321	503244	INNER WALL TUBS WM-70	1		
7322	268551	SEALING STRIP FRONT GABLE WM7	1		
7325	411487	DRUM WM-70 KPL	1		

Position	Ident	Spare part description	Quantity	Validity	Extra ID
7326	503169	DRUM RIB WM-70	3		
7327	268537	DRIVE BELT J5 1225	1		
7329	233475	SEALING RING WM-70	1		
7330	247805	BALL BEARING 6206 2RS MTSRL	2		
7331	412583	TUB WM-70 KPL	1		
7332	247962	SCALE WASHER 37X30,5X0,5	1		
7333	448289	BELT PULLEY WM-70 F KPL	1		
7335	247972	SCREW BUFO 8,8 10X25 GALV	1		
7339	414398	HINGE COVER WM-70.C LA022S5	1		
7342	413867	DOOR GLASS GUIDE WM-70	1		

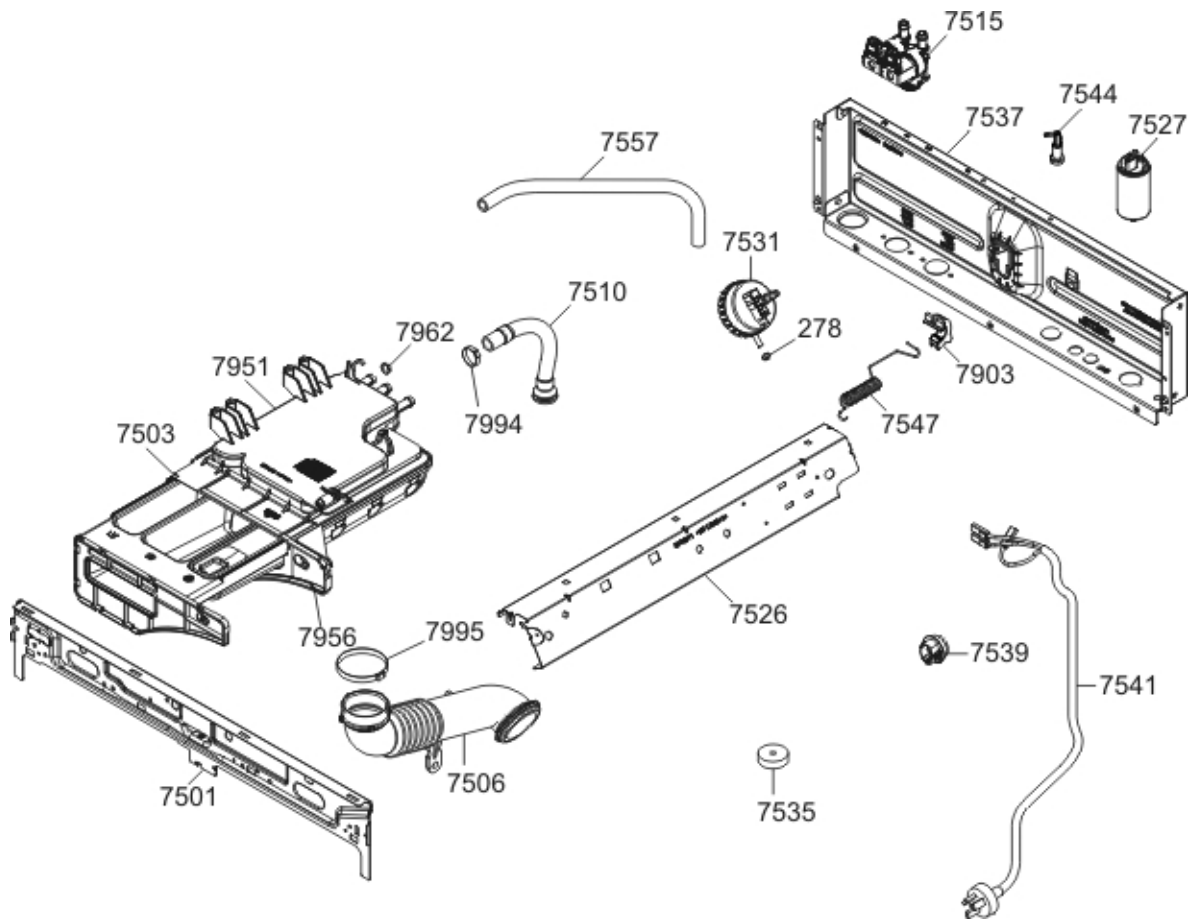
024710



Position	Ident	Spare part description	Quantity	Validity	Extra ID
6431	269193	SELECTING KEY WMD-70.1 LA022S5 UL4	2		
6432	269184	SELECTING KEY 1 WMD-70.1 LA022S5 UL4	2		
6434	413709	KEY SUPPORT START/STOP WMD-70.1	1		
6435	413708	KEY SUPPORT MENU WMD-70.1 UL4	3		
6440	413710	DECORATIVE PLATE WMD-70.1	1		
6442	269202	CONTROL KNOB WMD-70.1 LA022S5 UL4	1		
6444	413711	ILLUMINATION PLATE WMD-70.1 UL4	1		
6988	414466	LOGO ASKO A RAL9005	1		
7401	503109	FRONT PANEL W6424 US WM-70.1 B	1		
7402	266986	GASKET D3,1X570	1		
7411	371400	KEY START/STOP WM-70.1	1		
7413	268559	KEY ON/OFF WMD-70.2 LA022S5 UL4	1		

Position	Ident	Spare part description	Quantity	Validity	Extra ID
7430	436856	CONTROL UNIT WM-70.1B SERVIS	1		
7430	436856	CONTROL UNIT WM-70.1B SERVIS	1		
7948	490321	SOAP DISPENSER HANDLE WM-80 LA022S5	1		
7952	425670	LIQUID DETERGENT INSERT WM-80	1		
7953	489764	SOFTENER INSERT WM-80	1		
7954	489775	SOAP DISPENSER DRAWER WM-80 KPL	1		

025712



Position	Ident	Spare part description	Quantity	Validity	Extra ID
7501	565041	FRONT PANEL HOLDER WMD-70 F	1		
7503	489761	SOAP DISPENSER WM-80 KPL UL4	1		
7506	245603	BELLOWS HOSE INLET WM20	1		
7510	427935	HOSE WM-80	1		

Position	Ident	Spare part description	Quantity	Validity	Extra ID
7515	467756	ELECTRO VALVE DOUBLE 220/240V INV	1		
7526	503222	EL. COMPONENTS HOLDER WM-70	1		
7527	235418	EMC-FILTER WMD-70	1		
7531	272227	LEVEL SWITCH WM70.1	1		
7535	247813	GUARD, LEVELSWITCH HOSE WM20	2		
7537	503262	HOLDER-BEHIND L587 WM-70	1		
7539	413719	CABLE GROMMET Z13	1		
7541	255948	SUPPLY CORD SJT 3XAWG12 2000	1		
7544	257325	FUSE HOLDER 15A BK US/CA ASSY	2		
7547	413175	BALANSING SPRING WM-70	2		
7557	427933	HOSE D15/D10X240 WM-80 UL4	2		
7951	489768	SOAP DISPENSER HOUSING WM-80 KPL	1		
7956	477206	SEALING FRAME WM-80 LA022S5	1		
7962	252010	BELT CLAMP D17,0	2		
7994	252012	CLAMP D21,0	1		
7995	251922	CLAMP D56,0	1		

027702

SET KABELSKI
 WIRING HARNESS
 KABELBAUM
 CABLAGE ASSEMBLE

Position	Ident	Spare part description	Quantity	Validity	Extra ID
7979	503260	EARTHING CONDUCTOR WM-70 L860 RU/ZE UL4	1		

Position	Ident	Spare part description	Quantity	Validity	Extra ID
7980	503257	WIRING HARNESS IV WM-70.1 UL4	1		
7981	503174	WIRING HARNESS EM WM-70 UL4	1		
7985	503228	WIRING HARNESS EL WM-70 UL4	1		
7991	503227	WIRING HARNESS N AP LL WM-70 UL4	1		
7992	503248	WIRING HARNESS P WM-70 UL4	1		