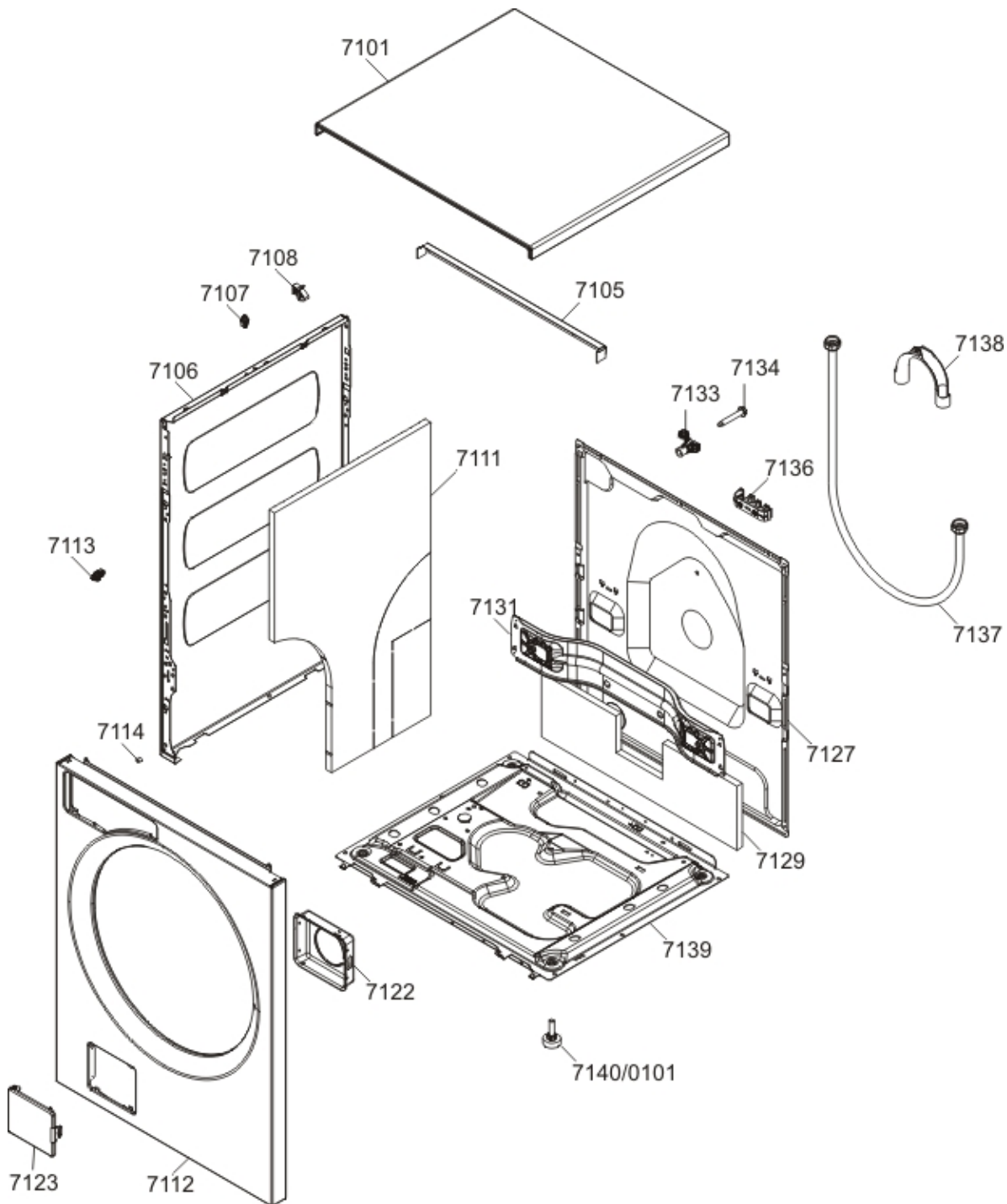


# SPARE PARTS LIST

Type WM80.2  
Model W8844XLW  
Art. No. 461615

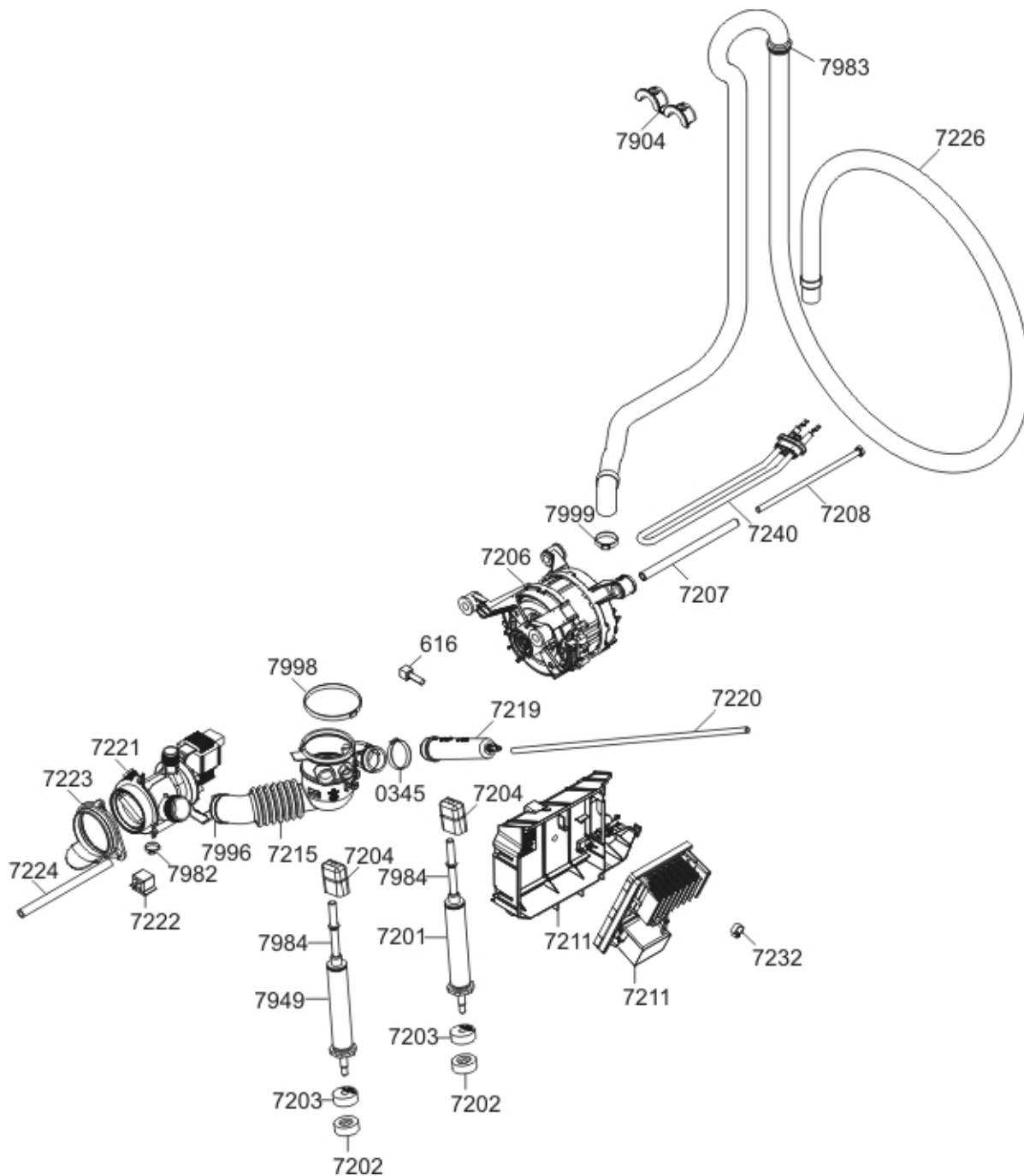
Brand name ASKO  
Version 17.09.2015  
Service index 02

## 021704



Position	Ident	Spare part description	Quantity	Validity	Extra ID
0101	499533	ADJUSTABLE FOOT PS-10 ASSY	4		
7101	408513	COVER/WORKTOP WMD-80 LA070	1		
7105	503181	COVERSUPPORT L553,5 WM-70	1		
7106	408558	CABINET SIDE PANEL WMD-80 LA070	2		
7107	413707	COVER HOLDER WMD-70	4		
7108	413814	WIRING HARNESS HOLDER WMD-70 UL4	6		
7111	252168	SOUND DEAD.SHEET OUTLET HOSE	2		
7112	415394	FRONT PANEL WM-80 KPL LA070	1		
7113	412257	FRONT PANEL LATCH WM-70 UL4	4		
7114	228893	PLASTIC GUIDE FRONT PLATE	2		
7122	416079	FILTER PROTECTION PICKLED WM-70	1		
7123	503179	FILTER COVER 0502-B WM-70	1		
7127	503178	REAR PANEL WM-70	1		
7131	503261	BLOCKADE HOLDER WM-70	1		
7133	551188	TRANSPORT INSERT WM-75/85	3		
7134	270698	SCREW M10X65 TT FZB	3		
7136	413811	HOSE HOLDER WMD-70	2		
7137	254162	SUPPLY HOSE L1500 D15X2,5 3/4-3/4 11,5US	1		
7138	498220	DISCHARGE HOSE BOW POM	1		
7139	370606	BOTTOM WM-80	1		

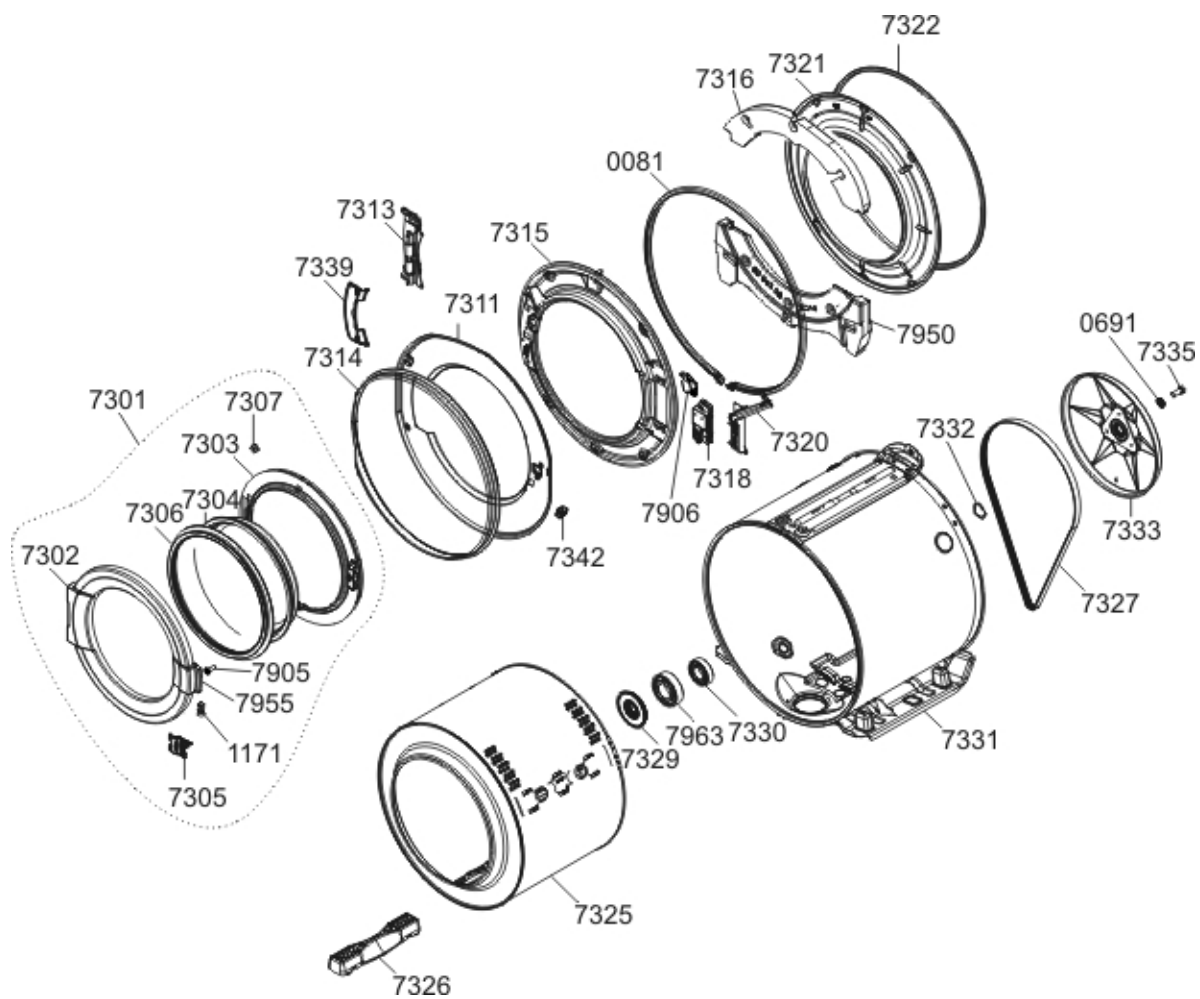
**022717**



Position	Ident	Spare part description	Quantity	Validity	Extra ID
0345	537874	CLAMP - WIRE D 38	1		
0616	581213	TEMPERATURE SENSOR .NTC EPCOS	1		
7201	415388	TUB SHOCK ABSORBER WM-80 KPL	2		
7202	270755	SPRING LEG DAMPER WM-70	4		
7203	270772	SPRING LEG DAMPER WM-70	4		
7204	270777	PISTON ROD DAMPER WM-70	1		
7206	271067	MOTOR	1		
7207	419002	BUSH WM-70	2		
7208	237689	SCREW 8.8 M8X205 FZB	2		
7211	271987	INVERTER	1		

Position	Ident	Spare part description	Quantity	Validity	Extra ID
7215	370602	HOSE TUB-FILTER WM-80 UL4	1		
7219	503182	HYDROSTAT CAP WM-70	1		
7220	479671	HOSE PS-03 L527	1		
7221	183436	FILTER HOUSING WITH PUMP 230V/60HZ	1		
7222	252146	RUBBER BUFFER,DRAIN PUMP	2		
7223	247550	RUBBER RING DRAINPUMP	1		
7224	503183	HOSE D12/D8 L180 WM-70	1		
7226	415067	DISCHARGE HOSE L2800 WM-80 UL4	1		
7232	252089	CABLE HOLDER SMALL	2		
7240	513024	HEATER 230V/2000W WM-75/85	1		
7949	415390	TUB SHOCK ABSORBER WM-80.C	2		
7982	252005	BELT CLAMP D14,8	1		
7983	413866	DISCHARGE HOSE HOLDER WM-70	2		
7984	422638	PISTON ROD L138 WM-80	1		
7996	252050	CLAMP D42,5	1		
7998	252084	CLAMP D80,0	1		
7999	438429	CLAMP D29,5	1		

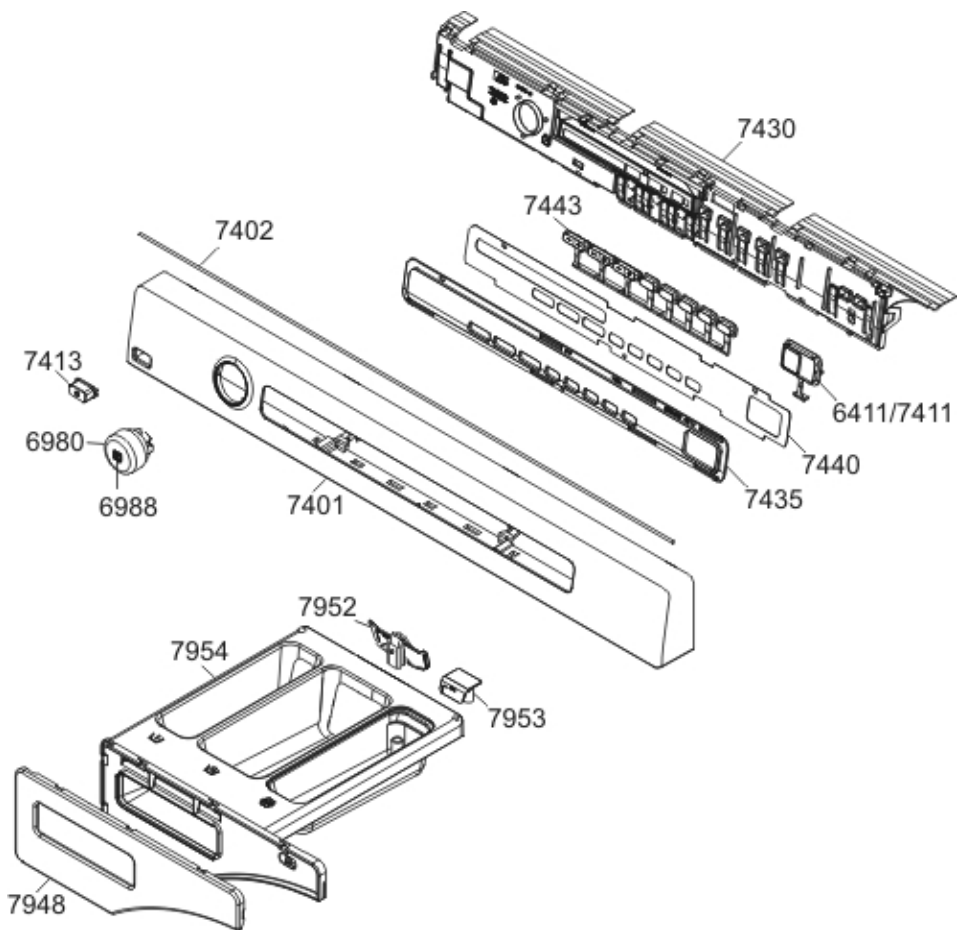
**023714**



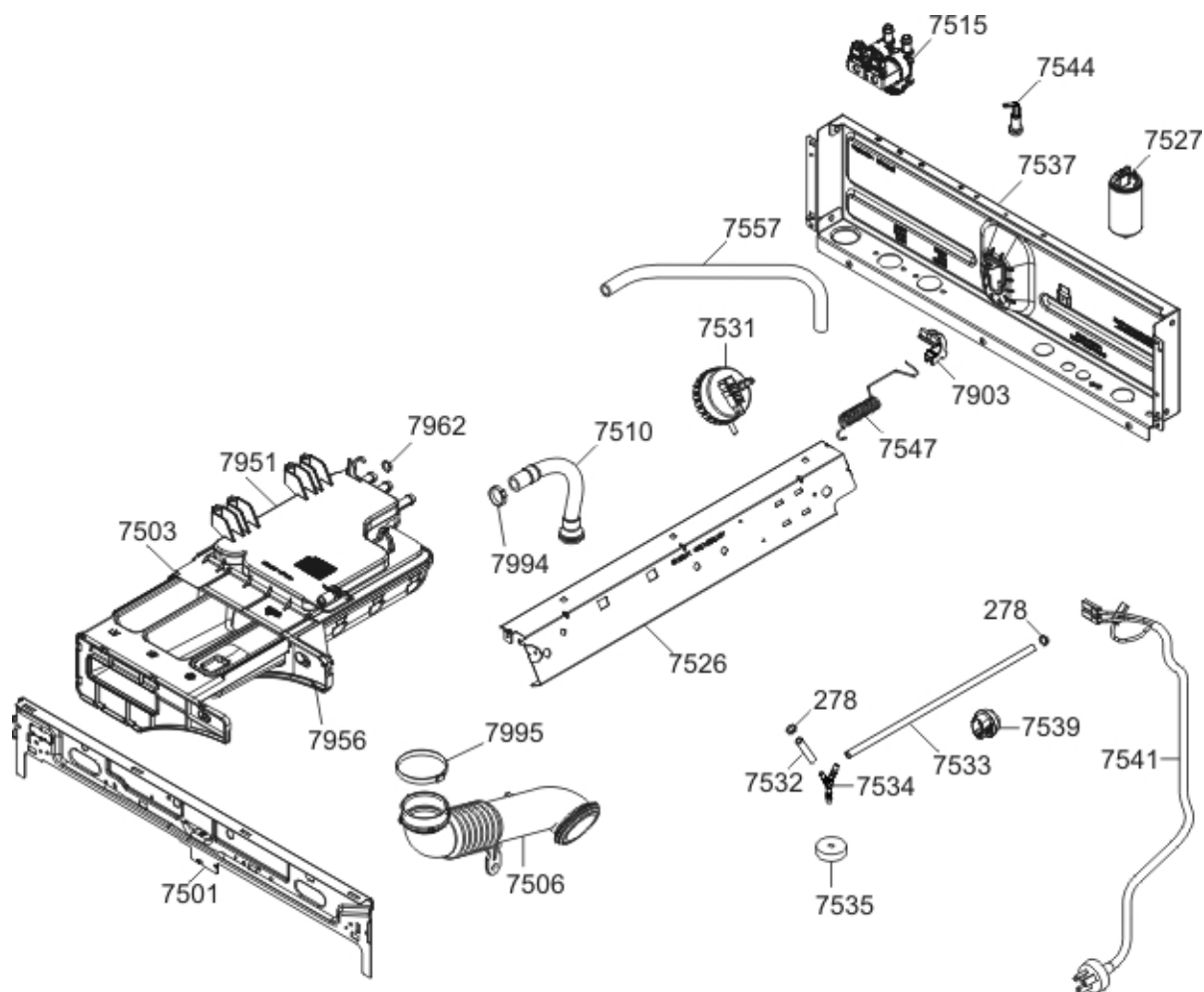
Position	Ident	Spare part description	Quantity	Validity	Extra ID
0081	587333	CLAMP PS-03	1		
0691	587646	WASHER 10,5X30X3	1		
1171	374605	DOOR HANDLE SPRING PS-12	1		
7301	415231	DOOR ASSY WM-80.2 LA012	1		
7302	371080	DOOR FRAME - EXTERIOR WM-80.2 LA012 UL4	1		
7303	371075	INTERIOR DOOR FRAME WM-80	1		
7304	236769	FRONT GLASS D306X42MM WM2	1		
7305	371239	DOOR STUCKER WM-80 S 2502-B	1		
7306	708850	DOOR SEAL WM-75/85	1		
7307	412469	GLASS HOLDER WM-70 KPL	5		
7311	425512	BLEND TUB LA070 WM-80.2 KPL	1		
7313	268842	HINGE WM60.C	1		
7314	415420	GASKET WM-80 S 2502-B	1		
7315	370669	OUTER WALL TUBS WM-80	1		
7316	262556	BALANCE WEIGHT 5,1 KG	1		
7318	370946	DOOR LOCK WM-80 UL4	1		
7320	422627	DOOR LOCK COVER WM-80 UL4	1		
7321	503244	INNER WALL TUBS WM-70	1		

Position	Ident	Spare part description	Quantity	Validity	Extra ID
7322	268551	SEALING STRIP FRONT GABLE WM7	1		
7325	415139	DRUM D480 WM-80 KPL	1		
7326	381458	DRUM RIB WM-80	3		
7327	415387	BELT EPJ L1225 WM-80	1		
7329	370637	SEALING RING WM-80	1		
7330	247805	BALL BEARING 6206 2RS MTSRL	1		
7331	513211	TUB WM-80 2KW ASSY	1		
7332	247962	SCALE WASHER 37X30,5X0,5	1		
7333	448289	BELT PULLEY WM-70 F KPL	1		
7335	247972	SCREW BUFO 8,8 10X25 GALV	1		
7339	503172	HINGE COVER WM-70.C BK070	1		
7342	413867	DOOR GLASS GUIDE WM-70	1		
7905	371037	EJECTOR DOOR BOLT	1		
7906	371041	EMERGENCY OPENING LEVER WM-80	1		
7950	415389	COUNTERWEIGHT WM-80	1		
7955	371259	DOOR HANDLE WM-80 LA012	1		
7963	247806	BALL BEARING 6207-2RS	1		

024721



Position	Ident	Spare part description	Quantity	Validity	Extra ID
6980	417335	CONTROL KNOB WMD-70.2 BK070 UL4	1		
6988	500568	LOGO ASKO A S NCS6502-B	1		
7401	436899	FRONT PANEL ASK W8844 US SIGN	1		
7402	266986	GASKET D3,1X570	1		
7411	414675	KEY START/STOP WMD-70.2	1		
7413	413713	KEY ON/OFF WMD-70.2	1		
7430	515481	CONTROL UNIT SERVIS WM-80.2 NTC	1		
7435	414562	DISPLAY PLATE WMD-70.2 UL4	1		
7440	268789	CONTROL PANEL INLAY	1		
7443	414563	KEY SUPPORT 8/1 0502-B WMD-70	1		
7948	490319	SOAP DISPENSER HANDLE WM-80 070	1		
7952	489767	LIQUID DETERGENT INSERT WM-80	1		
7953	489764	SOFTENER INSERT WM-80	1		
7954	489775	SOAP DISPENSER DRAWER WM-80 KPL	1		



Position	Ident	Spare part description	Quantity	Validity	Extra ID
0278	387524	CLAMP - WIRE D 10	2		
7501	565041	FRONT PANEL HOLDER WMD-70 F	1		
7503	489761	SOAP DISPENSER WM-80 KPL UL4	1		
7506	370600	INLET HOSE WM-80 UL4	1		
7510	415391	HOSE 290 WM-80	1		
7515	467756	ELECTRO VALVE DOUBLE 220/240V INV	1		
7526	371611	EL. COMPONENTS HOLDER WM-80	1		
7527	235418	EMC-FILTER WMD-70	1		
7531	272252	LEVEL SWITCH	1		
7532	479673	HOSE PS-03 L72	1		
7533	479669	HOSE PS-03 L310	1		
7534	414534	TUBE Y WM-70	1		
7537	503262	HOLDER-BEHIND L587 WM-70	1		
7539	413719	CABLE GROMMET Z13	1		



Position	Ident	Spare part description	Quantity	Validity	Extra ID
7541	255948	SUPPLY CORD SJT 3XAWG12 2000	1		
7544	257325	FUSE HOLDER 15A BK US/CA ASSY	2		
7547	413175	BALANSING SPRING WM-70	2		
7557	503184	HOSE D15/D10X350 WM-70 UL4	2		
7903	512719	BALANSING SPRING INSERT WM-70	2		
7951	489768	SOAP DISPENSER HOUSING WM-80 KPL	1		
7956	477204	SEALING FRAME WM-80 070	1		
7962	252010	BELT CLAMP D17,0	2		
7994	252012	CLAMP D21,0	1		
7995	251922	CLAMP D56,0	1		

**027700**

SET KABELSKI  
WIRING HARNESS  
KABELBAUM  
CABLAGE ASSEMBLE

Position	Ident	Spare part description	Quantity	Validity	Extra ID
7468	413536	EARTHING CONDUCTOR BA-BO L850/470 RU/ZE	1		
7902	498898	WIRING HARNESS NTC WM-80	1		
7964	370628	WIRING HARNESS N AP LL WM UL4	1		
7965	370627	WIRING HARNESS MC P CIM WM-80 UL4	1		
7966	370626	WIRING HARNESS MC C CIM WM-80 UL4	1		
7967	370623	WIRING HARNESS EL WM-80 UL4	1		
7968	370632	WIRING HARNESS P WM-80 UL4	1		
7969	370625	WIRING HARNESS IV WM-80 UL4	1		
7986	414486	WIRING HARNESS EM A WM-70 UL4	1		